

WOOD BURNING  
**FIREPLACES**

CATALYTIC-FREE | EPA2020 CERTIFIED

**PACIFIC  
ENERGY**



# CONTEMPORARY

## SERIES ZERO-CLEARANCE FIREPLACES



Keep small to large spaces warm and comfortable with the highly efficient and durable Vista, Super, and Summit woodstoves. Designed for exceptional heat output and long burn times, the Vista is an excellent choice for heating spaces from 500 to 1500 square feet, the Super - our most popular stove - for heating spaces up to 2000 square feet, and the Summit for larger spaces and long, cold winter nights.

SUPER LE - METALLIC BLACK DOOR WITH OPTIONAL ASH PAN



FP16 LE



FP25 LE



FP30 LE

**EPA2020  
CERTIFIED**



All Pacific Energy Wood Fireplaces come standard with these industry leading features:

- **EPA2020 Certified**
- **Reliable, durable catalytic-free technology**
- **High capacity baffle system**
- **Multi-port combustion air injection system**
- **Air wash system for super clean ceramic glass**
- **Inside and outside combustion air capable**
- **Floating firebox for extended stove life**
- **Single-Lever Air Control**
- **Mobile Home Approved**
- **6 inch flue**



Optional Craftsman Surround (FP30 Arch LE only)

### **FP16 LE FP16 ARCH LE**

For spaces up to 1500 sq. ft.

Heat Output Cord Wood

**56,000 BTU**

47,000 BTU EPA Test Fuel

Efficiency (HHV)	63%
Emissions	1.4 gm/hr.
Log Size (recommended)	16"
Log Size (max)	17"
Firebox Size	1.6 cu.ft.
Glass Viewing Area	15-1/2" x 9-1/2"
Weight	480 lb.

### **FP25 LE FP25 ARCH LE**

For spaces up to 2000 sq. ft.

Heat Output Cord Wood

**72,000 BTU**

51,500 BTU EPA Test Fuel

Efficiency (HHV)	67%
Emissions	1.4 gm/hr.
Log Size (recommended)	16"
Log Size (max)	18"
Firebox Size	2.1 cu.ft.
Glass Viewing Area	17-3/8" x 9-1/2"
Weight	610 lb.

### **FP30 LE FP30 ARCH LE**

For spaces up to 3000 sq. ft.

Heat Output Cord Wood

**99,000 BTU**

41,275 BTU EPA Test Fuel

Efficiency (HHV)	69%
Emissions	1.7 gm/hr.
Log Size (recommended)	18"
Log Size (max)	20"
Firebox Size	3.0 cu.ft.
Glass Viewing Area	20-7/8" x 10-1/2"
Weight	626 lb.

### **FP16 LE | FP16 ARCH LE**

#### **STANDARD FEATURES**

EPA 2020 Certified  
Reliable, durable non-catalytic technology  
Air wash system for super clean ceramic glass  
Boost air for easy lighting  
Oversize glass viewing window  
Floating firebox for extended stove life  
304 Stainless Steel baffle, insulation cover, rails and flame shield  
High-tech multi-port combustion air injection system  
Extended Burn Technology (EBT)  
Integrated heat exchanger  
East-West loading  
2x40 cfm temperature actuated blowers  
Single-Lever Air Control  
Cast iron door  
Inside and outside combustion air capable  
Mobile Home Approved

#### **DESIGN OPTIONS**

Surround trim available in two colours:  
Stainless Steel and Metallic Black

### **FP25 LE | FP25 ARCH LE**

#### **STANDARD FEATURES**

EPA 2020 Certified  
Reliable, durable non-catalytic technology  
Air wash system for super clean ceramic glass  
Boost air for easy lighting  
Oversize glass viewing window  
Floating firebox for extended stove life  
304 Stainless Steel baffle, insulation cover, rails and flame shield  
High-tech multi-port combustion air injection system  
Extended Burn Technology (EBT)  
Integrated heat exchanger  
East-West loading  
2x80 cfm temperature actuated blowers  
Single-Lever Air Control  
Cast iron door  
Inside and outside combustion air capable  
Mobile Home Approved

#### **DESIGN OPTIONS**

Surround trim available in two colours: Stainless Steel and Metallic Black

#### **PERFORMANCE OPTIONS**

Powered Heat Distribution System

### **FP30 LE | FP30 ARCH LE**

#### **STANDARD FEATURES**

EPA 2020 Certified  
Reliable, durable non-catalytic technology  
Air wash system for super clean ceramic glass  
Boost air for easy lighting  
Oversize glass viewing window  
Floating firebox for extended stove life  
304 Stainless Steel baffle, insulation cover, rails and flame shield  
High-tech multi-port combustion air injection system  
Extended Burn Technology (EBT)  
Integrated heat exchanger  
North-South loading  
2x80 cfm temperature actuated blowers  
Single-Lever Air Control  
Cast iron door  
Cast iron ash lip (Contemporary)  
Inside and outside combustion air capable  
Mobile Home Approved

#### **DESIGN OPTIONS**

Craftsman Surround (FP30 Arch only)

#### **PERFORMANCE OPTIONS**

Powered Heat Distribution System

# TRADITIONAL SERIES ZERO-CLEARANCE FIREPLACES



SUPER LE - METALLIC BLACK DOOR WITH OPTIONAL ASH PAN

Keep small to large spaces warm and comfortable with the highly efficient and durable Vista, Super, and Summit woodstoves. Designed for exceptional heat output and long burn times, the Vista is an excellent choice for heating spaces from 500 to 1500 square feet, the Super - our most popular stove - for heating spaces up to 2000 square feet, and the Summit for larger spaces and long, cold winter nights.



FP16 ARCH LE



FP25 ARCH LE



FP30 ARCH LE



**BUILD YOUR STOVE**  
pacifenergy.net/build-your-stove

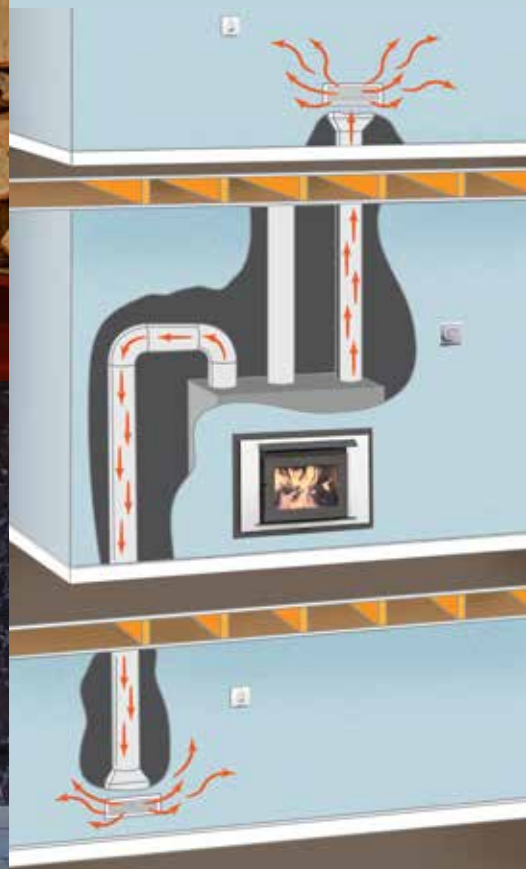


## HEAT DISTRIBUTION

**Enjoy heat throughout your home with Pacific Energy's EPA approved Heat Distribution System.**

With the FP25 LE and the FP30 LE, homeowners can supplement their heat source with an optional Heat Distribution System. Using standard "B" vent piping, the powered heat distribution system transfers heat into isolated rooms. Each heat duct is independently switch controlled, allowing for on demand control and comfort.

*For FP25 LE and FP30 LE Zero Clearance Fireplaces Only*

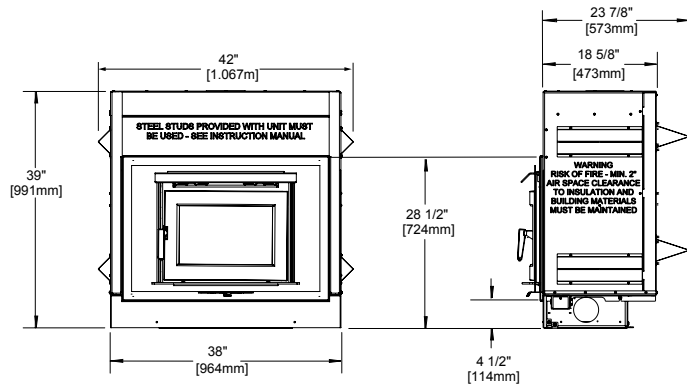


FP16 ARCH LE

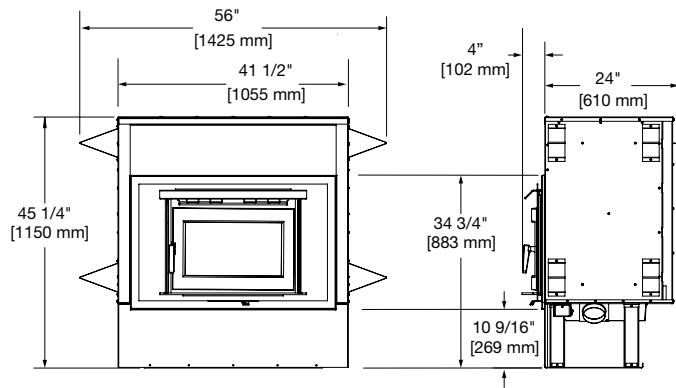


FP25 LE

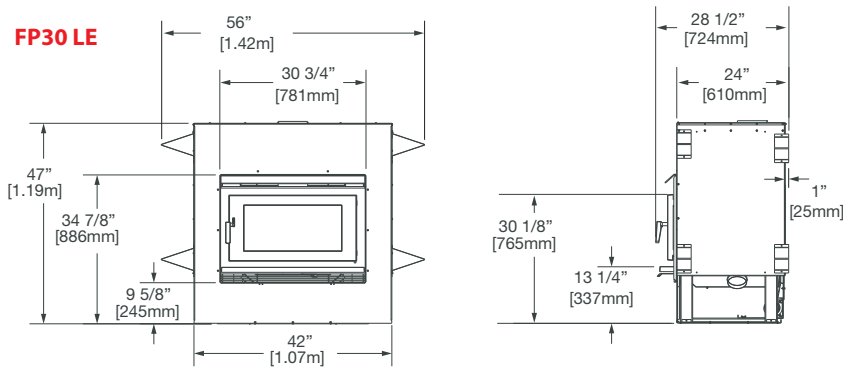
**FP16 LE**



**FP25 LE**

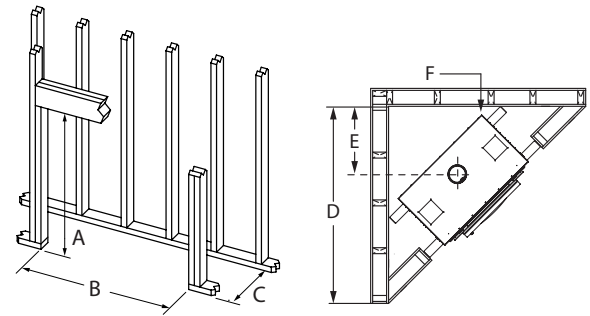


**FP30 LE**



**MINIMUM FRAMING DIMENSIONS**

	FP16 LE	FP25 LE	FP30 LE
<b>A</b>	55 1/2"	62"	63 1/2"
<b>B</b> <sup>1</sup>	42"	56"	56"
<b>C</b> <sup>1,2</sup>	24"	24"	24"
<b>D</b>	57 1/4"	68 3/8"	73 1/2"
<b>E</b>	21 1/2"	23 7/8"	25 1/4"
<b>F</b>	2"	3 1/8"	5 1/2"



1) Not including chase lining if used 2) Not including facing materials

**Fireplace Clearances and Chimney Restrictions**

	FP16 LE	FP25 LE	FP30 LE
Distance of combustible material from the side or back standoffs and framing kit.	0" (0 mm)	0" (0mm)	0" (0 mm)
Minimum distance from the adjacent side wall to the side of the fireplace door.	15" (380 mm)	22" (560 mm)	30" (760 mm)
Ceiling clearance - both inside the chase and in the room: from the base of the fireplace to the ceiling.	72" (1.83m)	84" (2.13m)	84" (2.13 m)
Minimum chimney height: - from the base of the Fireplace to below the chimney rain cap.	15' (4.57 m)	15' (4.57 m)	15' (4.57 m)
Recommended maximum chimney height (at sea level) from top of fireplace to rain cap.	35' (10.7 m)	35' (10.7m)	35' (10.7 m)
Maximum unsupported chimney height.	20' (6.1m)	20' (6.1m)	15' (4.5 m)
Minimum depth of non-combustible ember protection: from the front of the fireplace.	18" (455 mm)	16 1/2" (420 mm)	18" (455 mm)



[pacificenergy.net](http://pacificenergy.net)

Pacific Energy is committed to continuous product improvement and innovation. As a result, appearance and specifications of the products featured in this brochure are subject to change without notice. For more information, please visit [pacificenergy.net](http://pacificenergy.net)



@pacificenergyfireplaceproducts

