

# TECHNICAL SPECIFICATION

Traditional Cruciform 3-in1 hot water kitchen tap with Black Ceramic Levers - Copper Finish

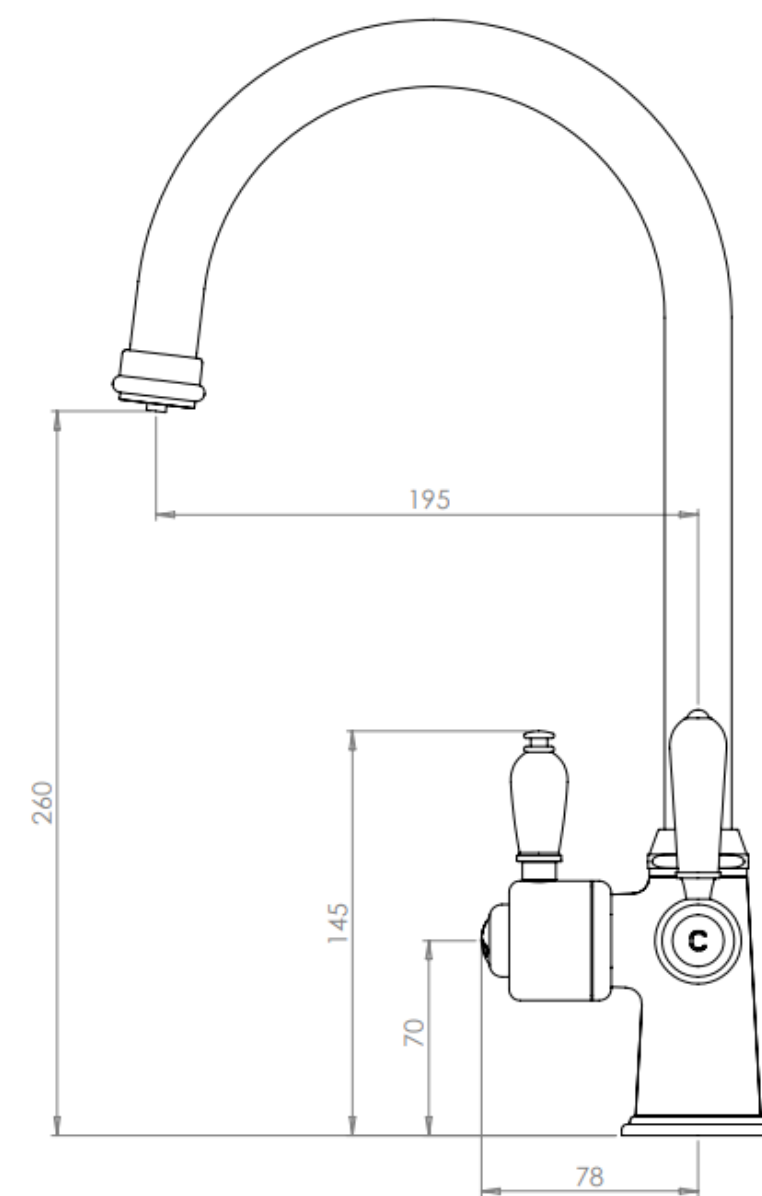
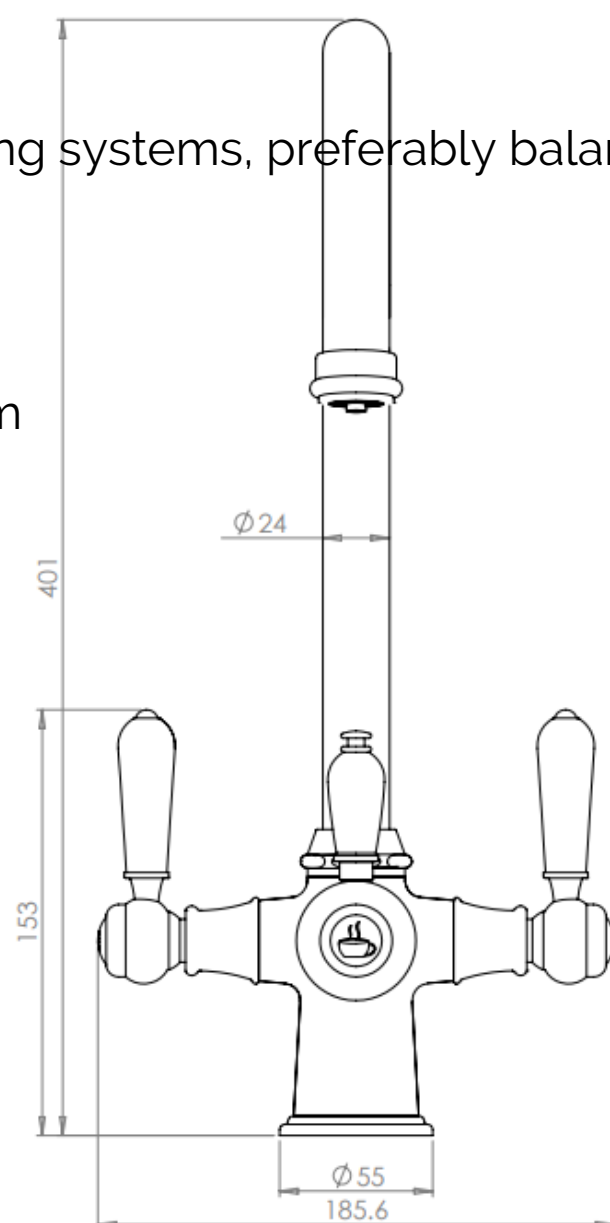
## General Information

Product Code:	PDT-000272
Standards 1	BS EN 200:2008
Construction Material	Brass
Installation type	Deck Mounted
Colour / Finish	Copper
Certification	KUK REG4
Certification No:	Pending

## Specification

Waste Included	No
Tap Tails Included	Yes
Style	Traditional
Minimum Working Pressure	1
Maximum Working Pressure	3
Cartridge Type	1/2" Cartridge
Thermostat Cartridge Type	n/a
Flow Type	Tri Flow
Number of Tap Holes Required:	1
Handle Type	Lever
Swivel Spout:	Yes
Inlet Connection:	1/2" BSP Flexible Tails
Supply:	Suitable for all plumbing systems, preferably balanced

Tap Hole Diameter:	35mm
Type	Boiler Taps
Child Lock	Spring lock mechanism
Hot Water Dispenser Handle	Centre
Standard Hot and Cold Water Handle	Hot Left & Cold Right
Filtered Cold Function	n/a
Height (mm):	401
Width (mm):	185.6
Length / Depth (mm):	245
SKU CAT No:	3
Category:	Kitchens
Sub Category:	Hot Water Taps
Product Weight (KG):	1.770
Carton Quantity (Pcs):	6
EAN:	5010000272005



## Flow Rates

Litres Per Minute

0.2bar	0.5bar	1bar	2bar	3bar
4.3	7.5	8.9	9.8	10.3



### Kiwa UK Water Regulation 4 Testing and Certification (KUKreg4)

The Kiwa UK Regulation 4 Product Approval Scheme (KUKreg4) is a robust method for demonstrating compliance with the UK Water Supply (Water Fittings) Regulations 1999. A KUKreg4 certificate is equivalent to a WRAS certificate.

The information contained on this page was correct at date of issue. Fitting dimensions are provided as a guide only. Some variation may occur due to manufacturing tolerances. Ellsi Ltd peruses a policy of continuing improvement in design and performance of its products and so reserves the right to change specifications without prior notice



A: Ninth Avenue, Flixborough  
Ind Est, Scunthorpe, North  
Lincolnshire, DN15 8SL

T: 01724 847397  
E: sales@ellsi.co.uk  
W: ellsi.co.uk

Company Reg No: 12013674  
VAT No: 328855859