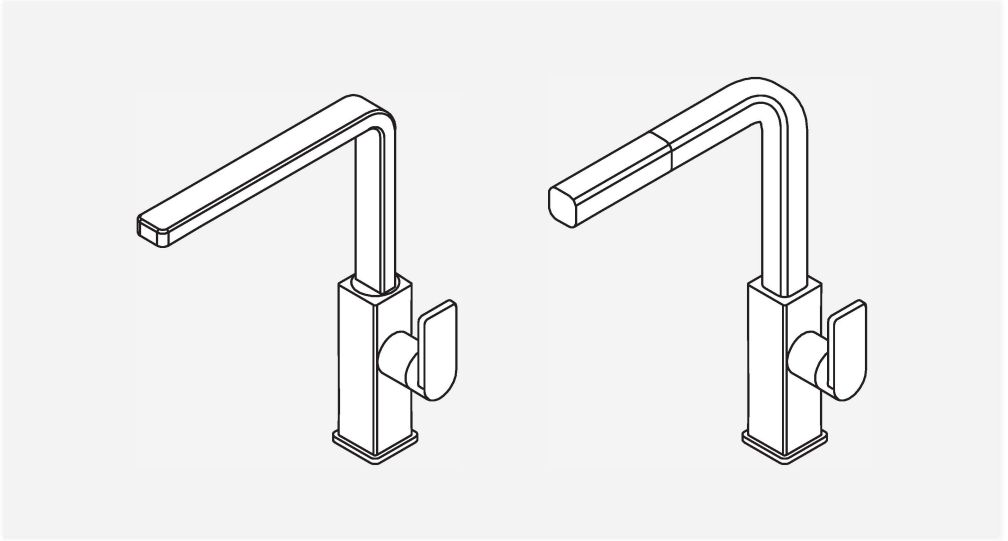


MYTHOS

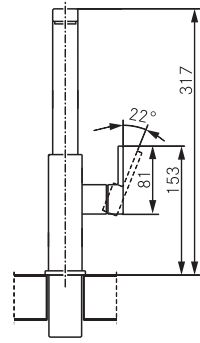
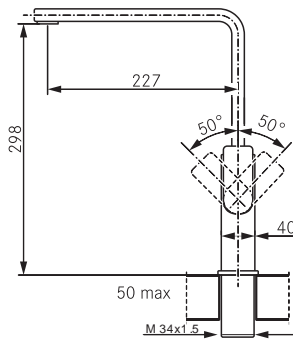
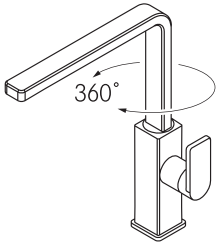


EN Installation and user manual

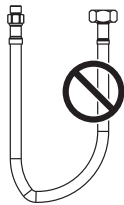
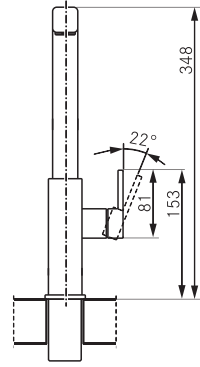
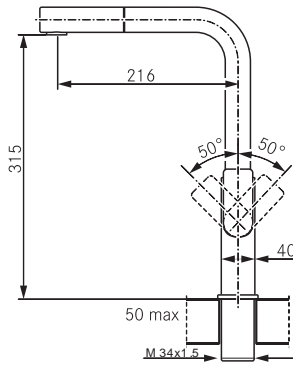
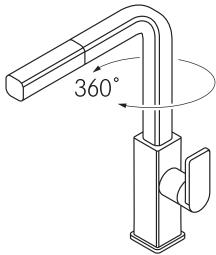
Kitchen Taps



A



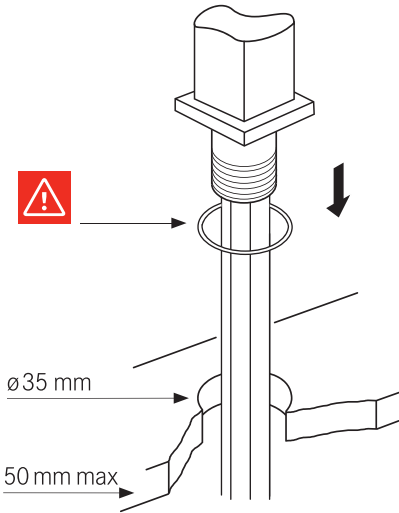
B





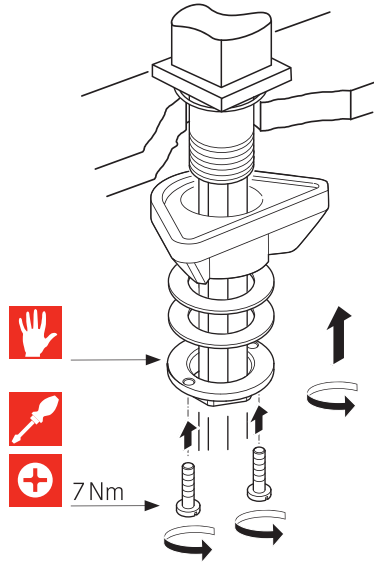
1

A B



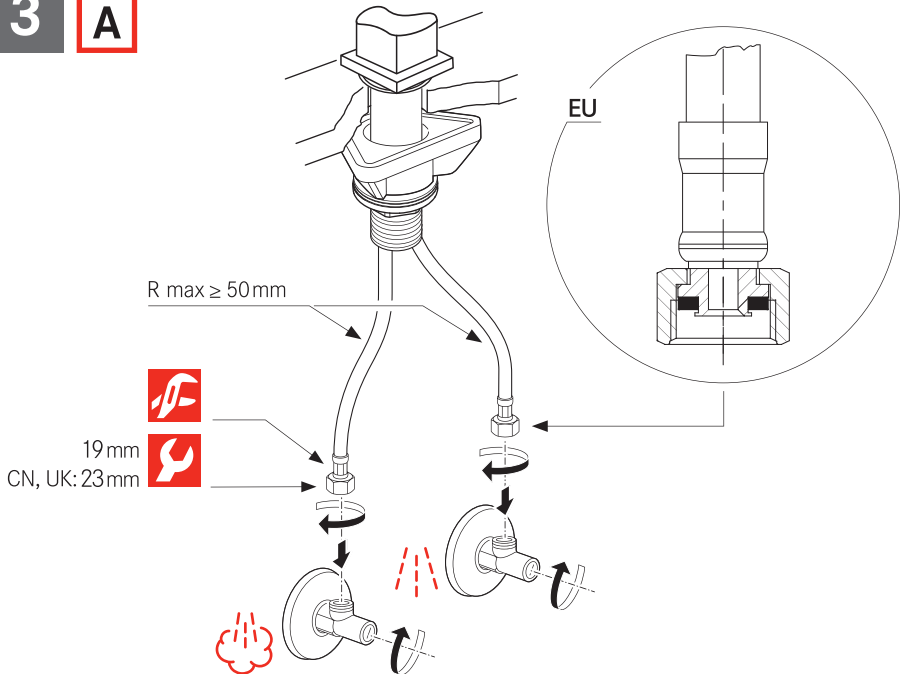
2

A B



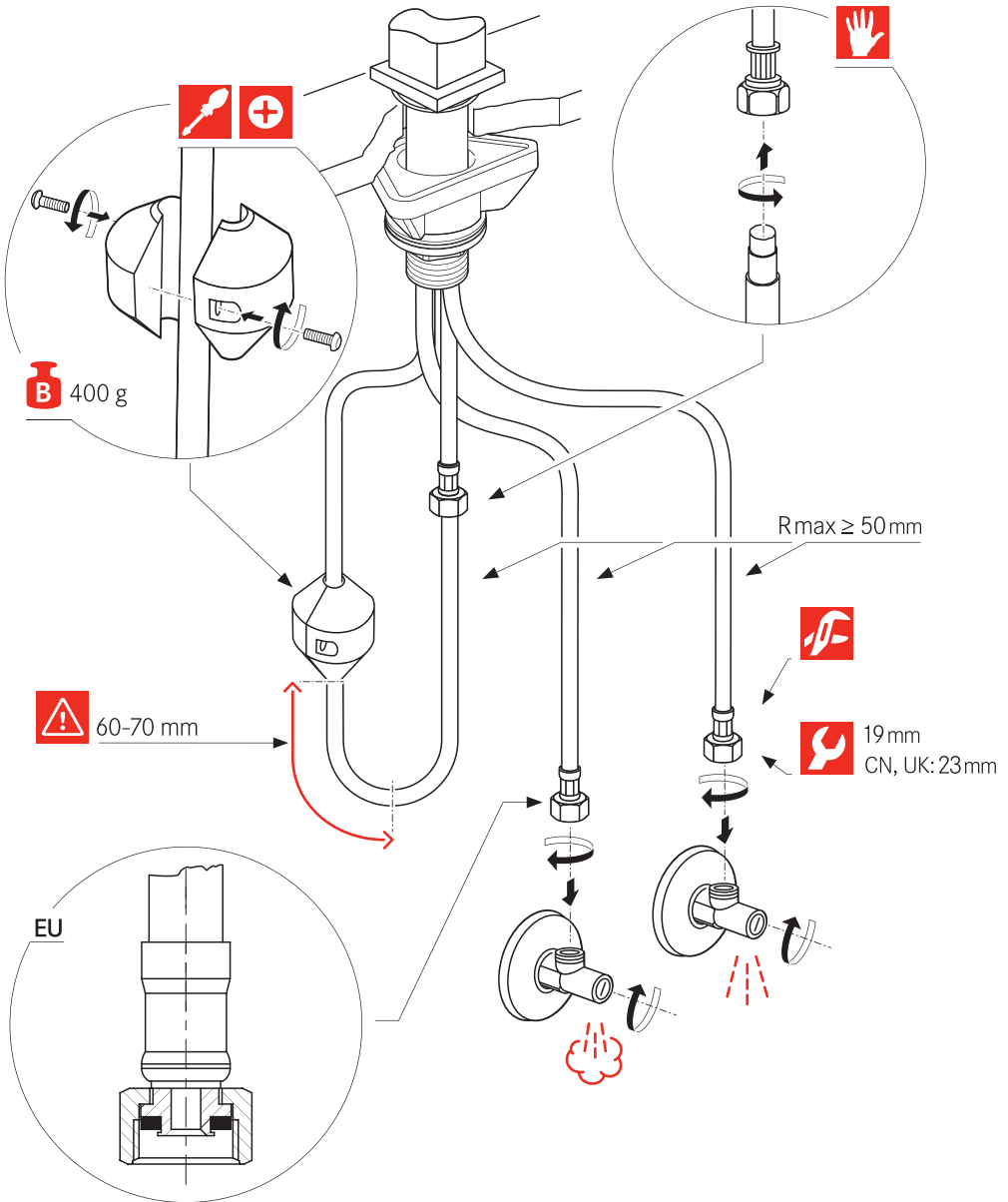
3

A



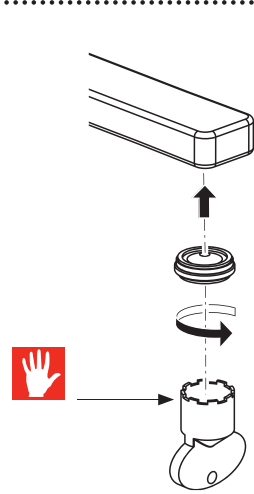
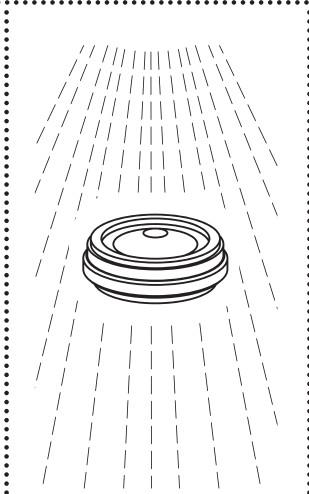
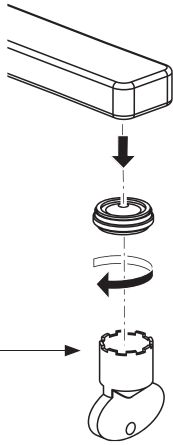
3

B



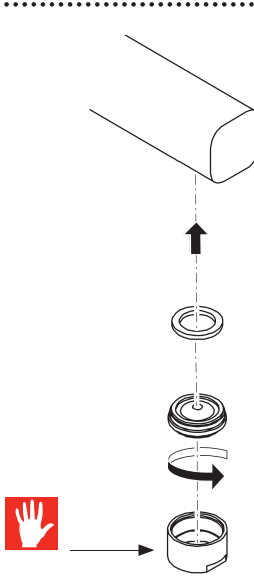
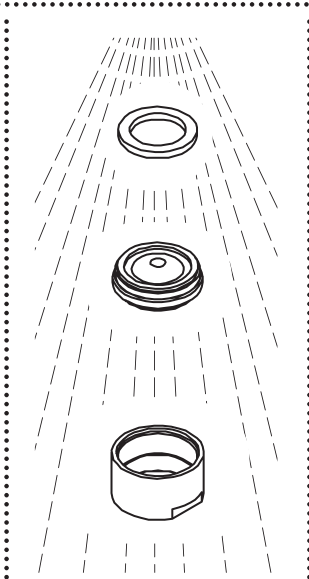
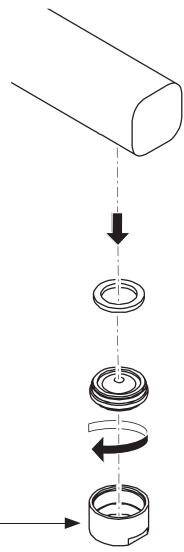
4

A



4

B



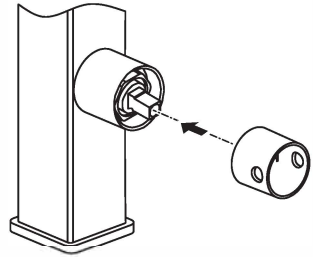


1

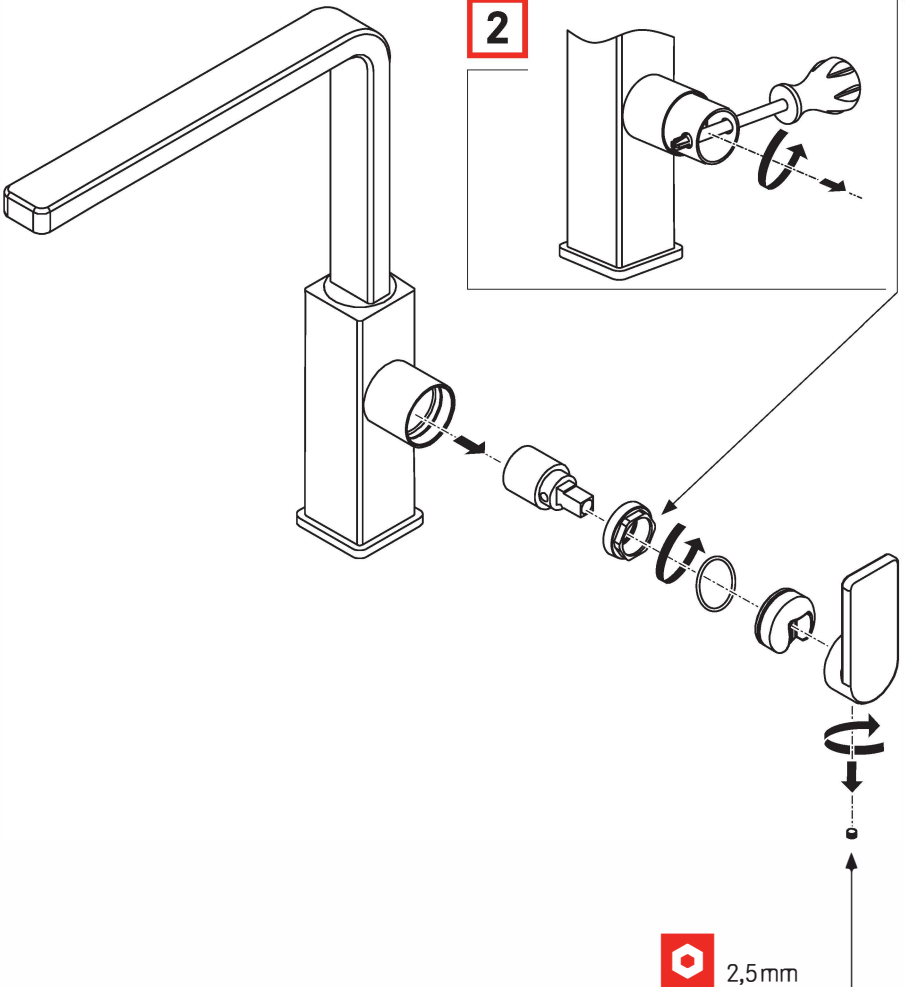
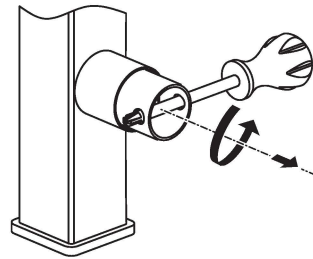
A



1



2

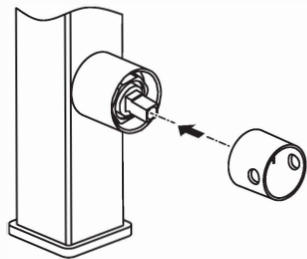


 2,5mm

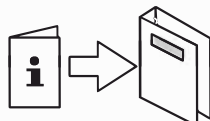
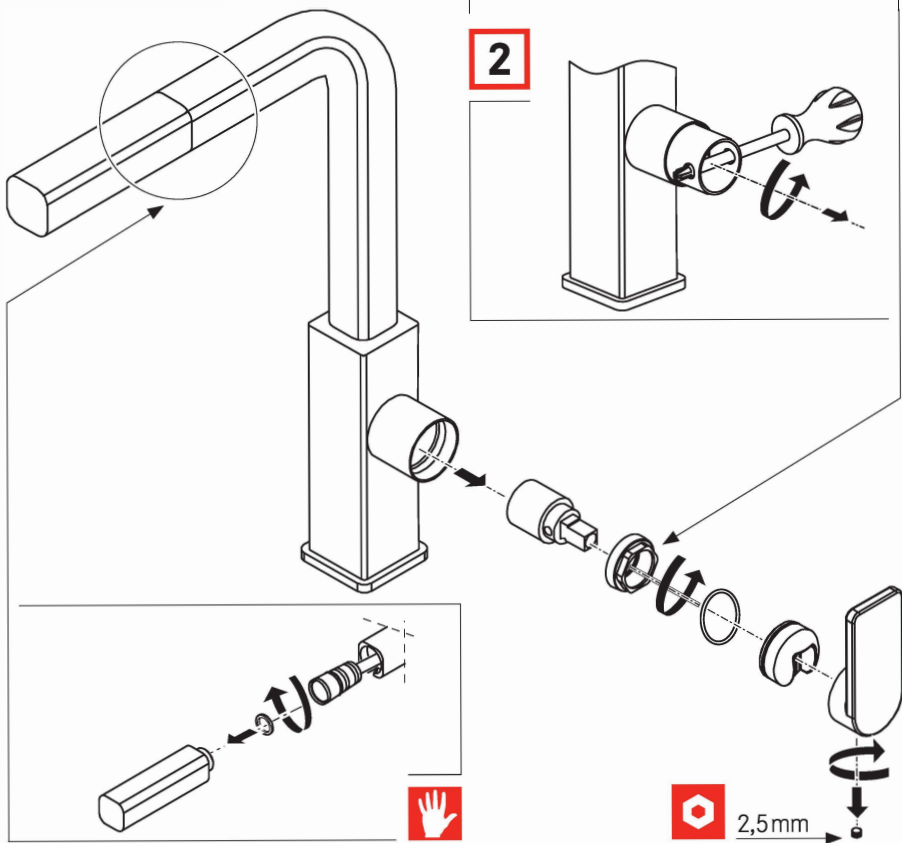
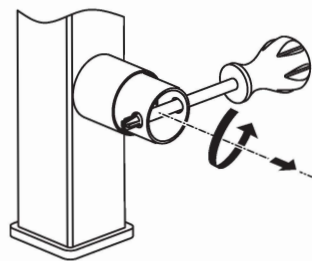
B



1



2



www.franke.com



Periodic checks

▶ Check connection and shower hoses periodically for the following:

- Watertightness
- Corrosion
- Mechanical damage

▶ Use original spare parts only.

▶ Replace damp or dripping hoses.

▶ Replace hoses with rusty or oxidized surfaces.

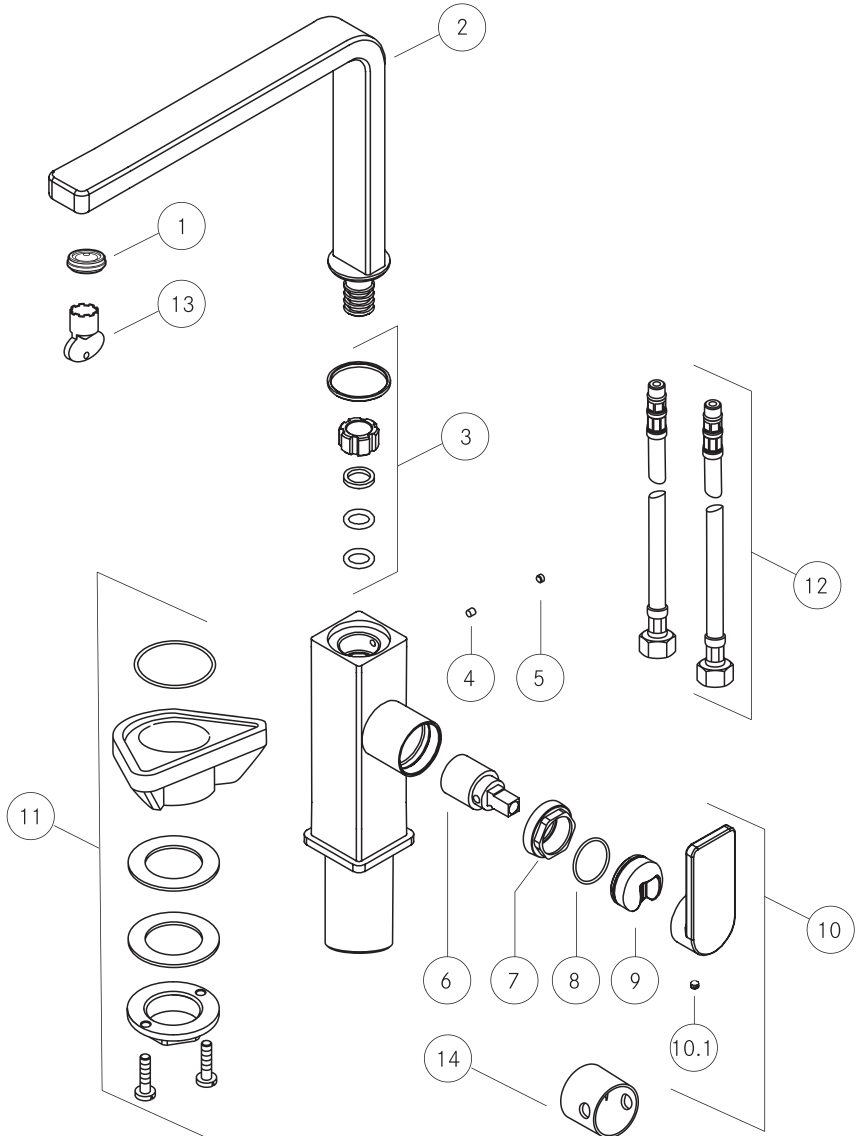
▶ Replace hoses that show signs of mechanical damage.



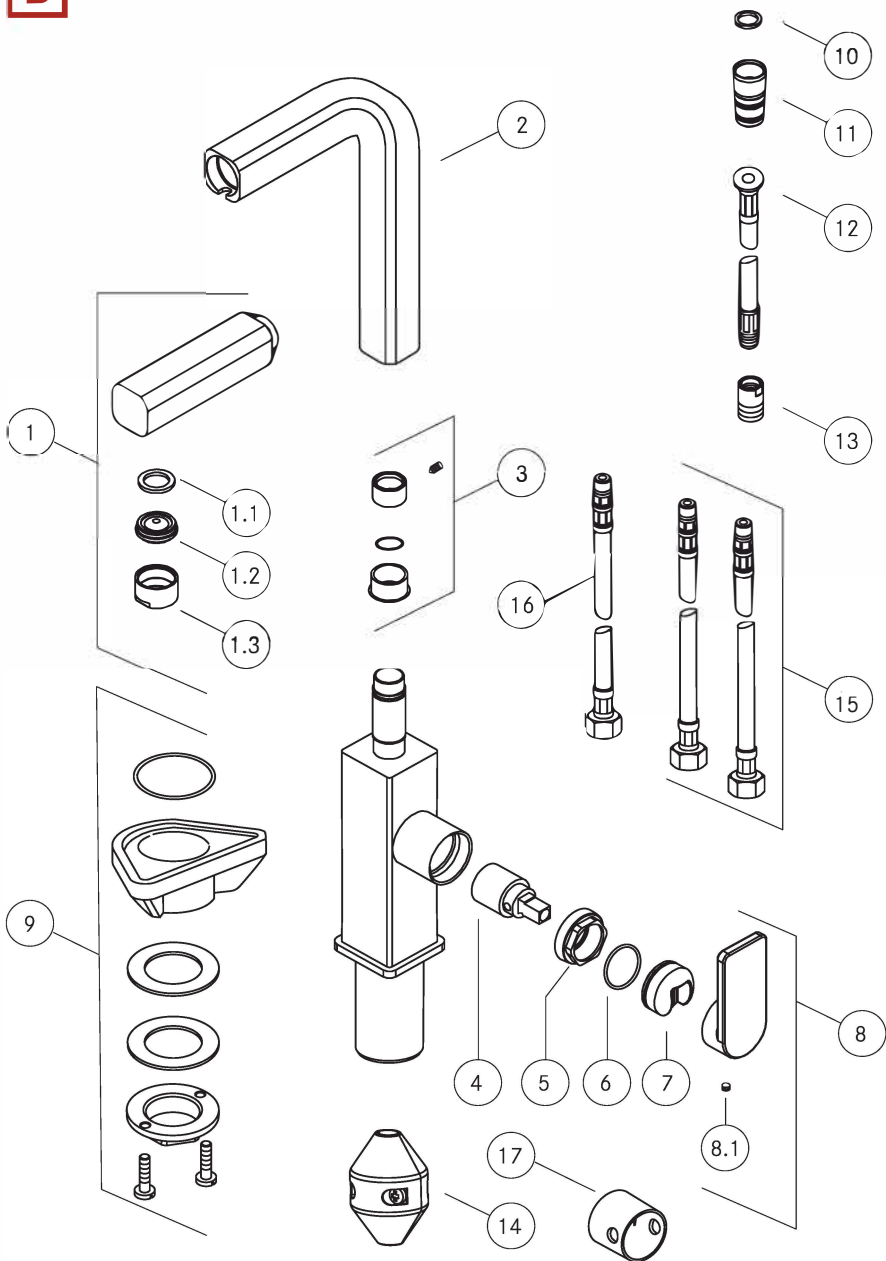
▶ Flush all pipes thoroughly before installation.

Operating data	Value		
Operating pressure (ideal)	3 bar	45 PSI	300 kPa
Operating pressure (max.)*	5 bar	70 PSI	500 kPa
Operating pressure (min.)*	1 bar	14.5 PSI	100 kPa
Water temperature (ideal)	60 °C	140 °F	
Water temperature (max.)	80 °C	180 °F	

* Equal pressure is recommended.



B



www.franke.com

United Kingdom

Franke UK Ltd.
Manchester M22 5WB
Phone +44 161 436 6280

