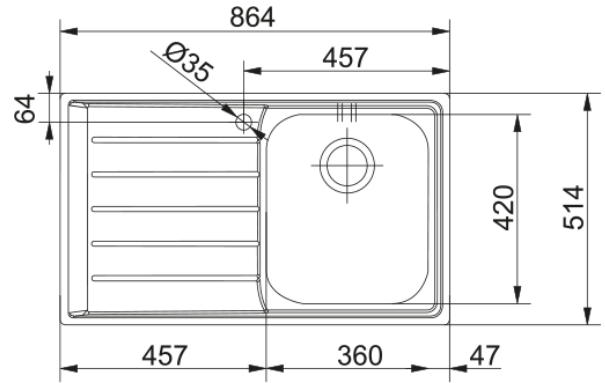


# Neptune NEX 211 LHD | 127.0059.655



## Technical Data

### Product Information

Sink type	Sink (w/ drainer)
Type of material	Stainless steel
Number of bowls	1
Color	Steel
Finish	Stainless steel brushed

### Dimensions

External size: right to left	864.0
External size: front to back	514.0
Bowl 1 size: right to left	360.0
Bowl 1 size: front to back	420.0
Bowl 1: depth	190.0

### Installation

Minimum cabinet size	60 cm
----------------------	-------

### Product specifications

Installation type	Slimtop
Installation type	Flushmount
Waste outlet	3 1/2"
Position of drainer	Left hand side drainer

### Product Identification

Product brand	FRANKE
Product family	Maris
Model range	Neptune
Approval logo	CE

### Properties

Drainers number	1
Product reversibility	No
Tap ledge	Yes

Waste kit include	Yes
Waste kit type	Manual
Siphon included	Yes
Number of tap holes	1
Soap dispenser hole	No