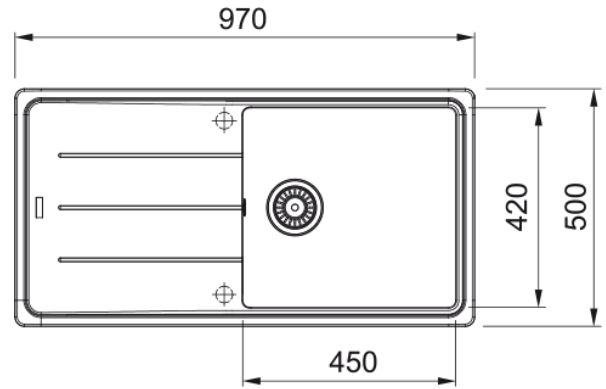


# Basis BFG 611-970 REV Polar White | 114.0284.677



## Product Information

|                  |                   |
|------------------|-------------------|
| Sink type        | Sink (w/ drainer) |
| Type of material | Granite           |
| Number of bowls  | 1                 |
| Color            | Polar white       |
| Finish           | None              |

## Dimensions

|                              |       |
|------------------------------|-------|
| External size: right to left | 970.0 |
| External size: front to back | 500.0 |
| Bowl 1 size: right to left   | 450.0 |
| Bowl 1 size: front to back   | 420.0 |
| Bowl 1: depth                | 200.0 |
| Cutout inset: right to left  | 950.0 |
| Cutout inset: front to back  | 480.0 |

## Installation

|                      |       |
|----------------------|-------|
| Minimum cabinet size | 60 cm |
|----------------------|-------|

## Product specifications

|                     |                    |
|---------------------|--------------------|
| Installation type   | Inset              |
| Waste outlet        | 3 1/2"             |
| Position of drainer | Reversible drainer |

## Product Identification

|                |        |
|----------------|--------|
| Product brand  | FRANKE |
| Product family | Maris  |
| Model range    | Basis  |
| Approval logo  | CE     |

## Properties

|                       |     |
|-----------------------|-----|
| Drainers number       | 1   |
| Product reversibility | Yes |
| Tap ledge             | Yes |
| Waste kit include     | Yes |

|                     |                 |
|---------------------|-----------------|
| Waste kit type      | Manual          |
| Siphon included     | No              |
| Number of tap holes | 2 - pre drilled |
| Soap dispenser hole | No              |

---

**Technical Data**