

Black - Comite 1.5 bowl Inset or Undermounted kitchen sink - Over Size: 670x440x206mm

General Information

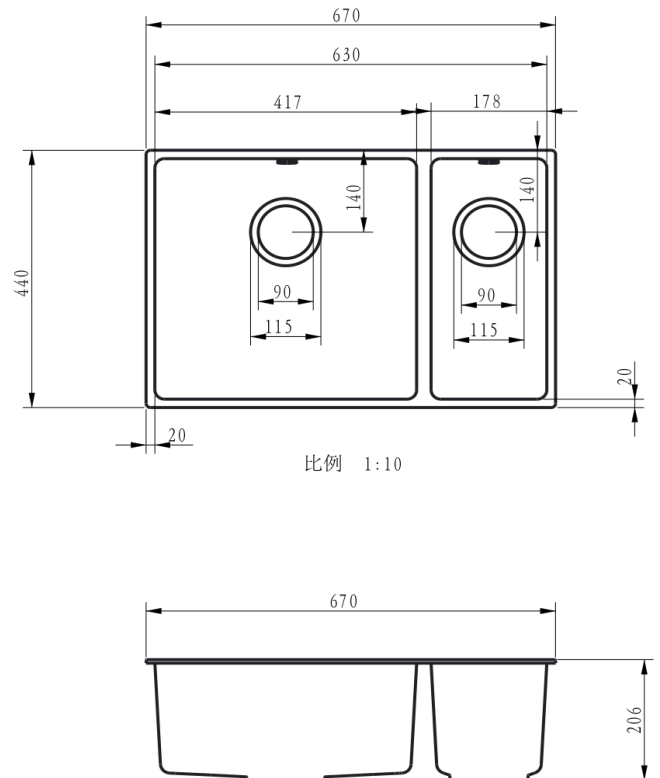
Code	PDT-000100
Barcode_1_(Single_Item)	5010000100001
SKU CAT No:	3
Category	Kitchens
Sub Category	Kitchen Sinks
Product_Weight_(KG)	8
Standards 1	EN 13310:2015+A1 2018 - Kitchen Sinks



Specification

Construction Material	Comite
Installation type	Inset or Undermounted
Colour / Finish	Matt Black
Certification	No
WRAS No:	n/a
Height (mm)	206
Width (mm)	670
Length / Depth (mm)	440
Material Thickness	8mm
Number of Bowls:	2
Bowl	Right Handed
Suitable for a waste disposer	Yes
Antibacterial Coating	Yes
Scratch Resistant	Yes
Wastes and overflows included	No
Tap Hole provided	No
Minimum Cabinet Size:	800mm
Main Bowl Capacity	28L Approx
Heat Resistance	180°C
Waste Size	90mm
Bowl Shape	Rectangle
Surface treatment	Smooth
Finish	Matt Black
Main Bowl Length (mm)	417
Main Bowl Width (mm)	400
Main Bowl Depth (mm)	206
Side Bowl Length (mm)	178
Side Bowl Width (mm)	400
Side Bowl Depth (mm)	206

Dimensions



The information contained on this page was correct at date of issue. Fitting dimensions are provided as a guide only. Some variation may occur due to manufacturing tolerances. Ellsi Ltd peruses a policy of continuing improvement in design and performance of its products and so reserves the right to change specifications without prior notice.