



Livorno - 3N1 Steaming Hot Water Tap

At the pull of a lever, the Livorno - 3N1 Steaming Hot Water Tap can produce steaming hot filtered water, regular hot and regular cold water and replaces your main tap. Ideal for making hot drinks, cleaning, preparing pasta and more.

Features

- The tank has a thermostat, enabling users to set the desired temperature of the water between 88 and 99 degrees
- Designed and manufactured in Italy
- Safe, multi-step hot water handle
- Elegant one-piece design
- Efficient use of space and time
- Easy to install
- Available in chrome
- Includes filtration system
- 2 year tap guarantee and 2 year tank guarantee

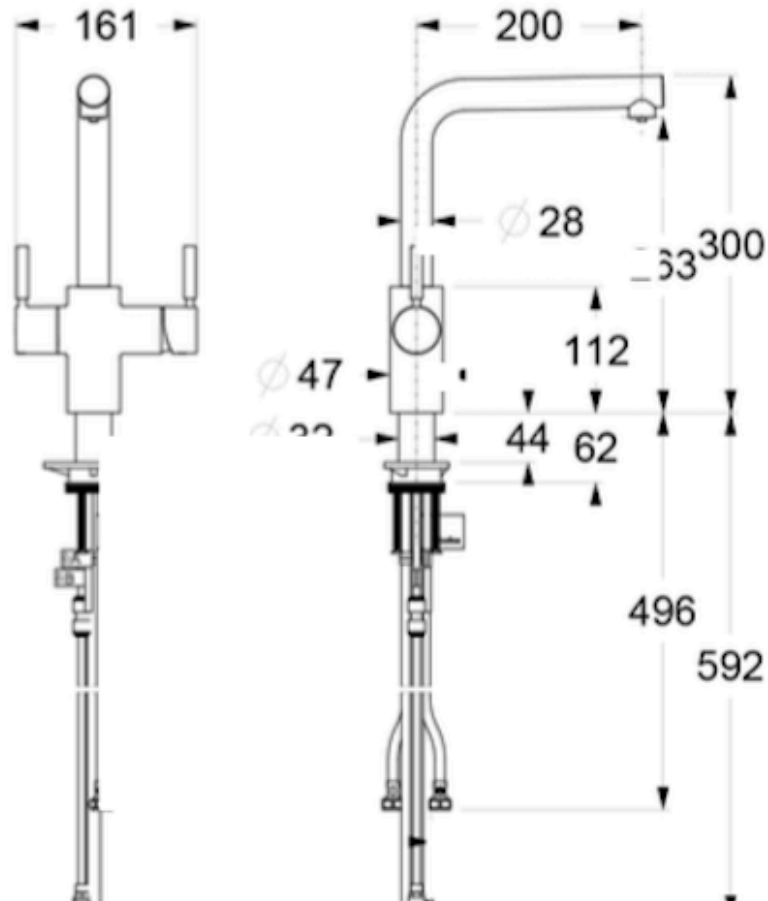
PRODUCT SPEC SHEET

Livorno - 3N1
Steaming Hot
Water Tap

Specifications

- Solid, high-quality low lead brass
- Complete installation kit for solid surface mount
- Capacity: 2.5 litre stainless steel tank
- Required hole diameter: 35-38mm
- Required supply pressure (cold): 172-862 kPa (1.7-8.6 bar) (25-125 psi)
- Required supply pressure (hot): 50xPa

Dimensions (mm)



Dimensions in mm

InSinkErator
Suite 10, Building 6
Hatters Lane
Croxley Green Business Park
Watford, Herts WD18 8YH
United Kingdom
Sales tel: +44 1923 297 880

InSinkErator
Emerson Electric Co.
4700 21st Street
Racine, WI 53406-5093 USA
Sales/Service tel: +1 262-854-8432
www.insinkerator.com/worldmap.html