

HOLDER SURFACE CLEANING: Don't use abrasive sponges that can scratch the surface.

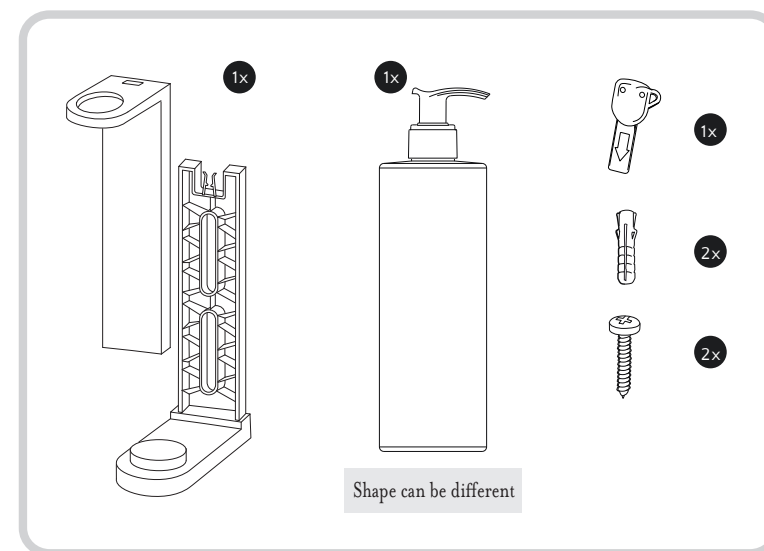
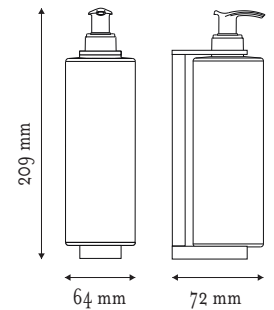
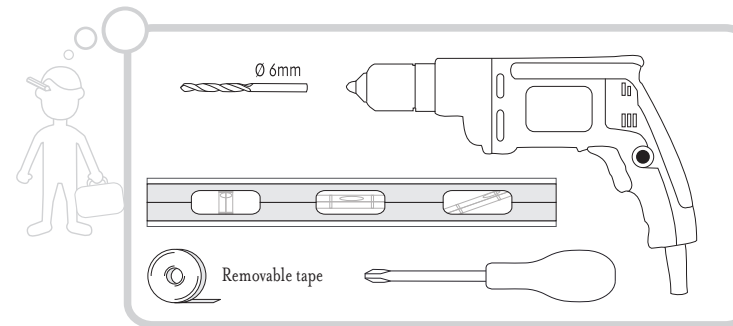
**gfl**  
SKIN CARE

**PUMP DISPENSER HOLDER  
WITH SCREWS - PDS**

Installation guide • Guida d'installazione • Guide d'installation •  
Guía de instalación • Installation - Handbuch

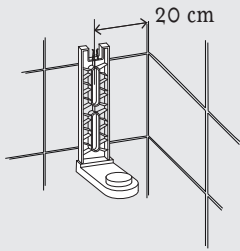


Components and Tools • Componenti e Attrezzi • Composants et Outils • Componentes y herramientas • Komponenten und Werkzeuge

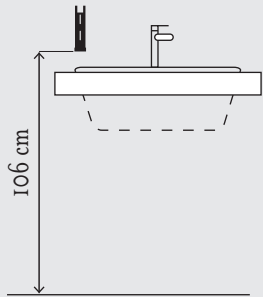


Installation tips

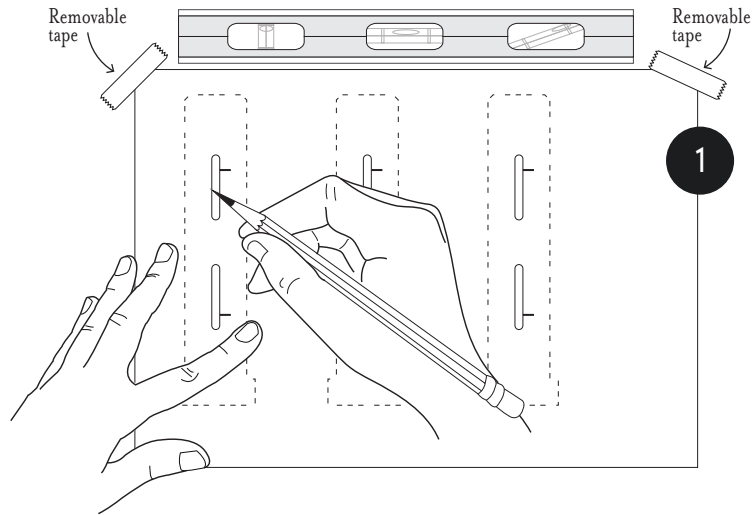
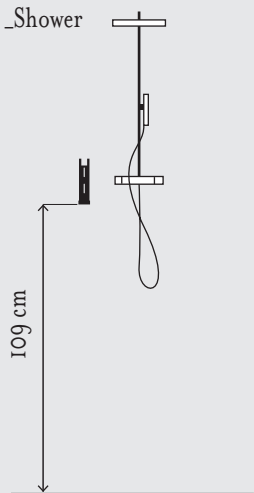
\_Corner



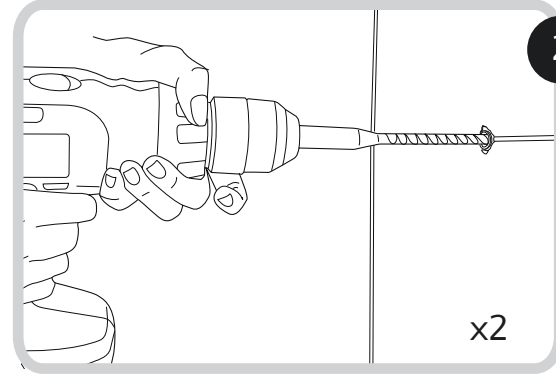
\_Sink



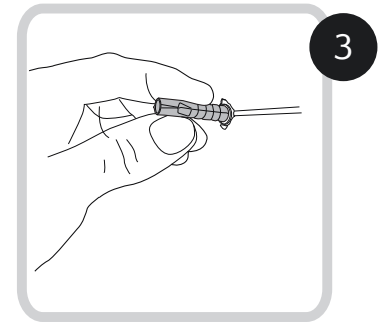
\_Shower



1

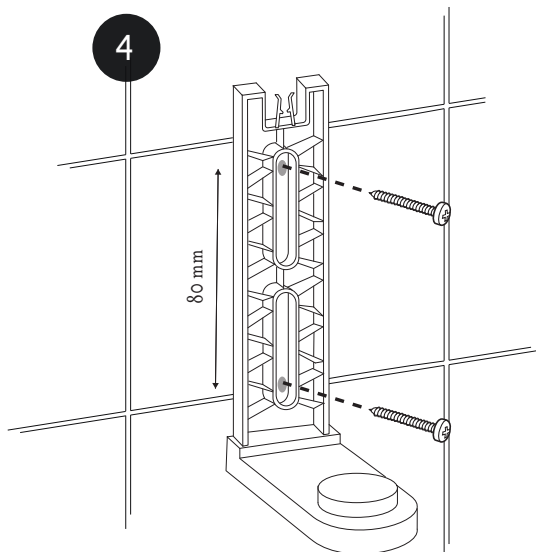


2

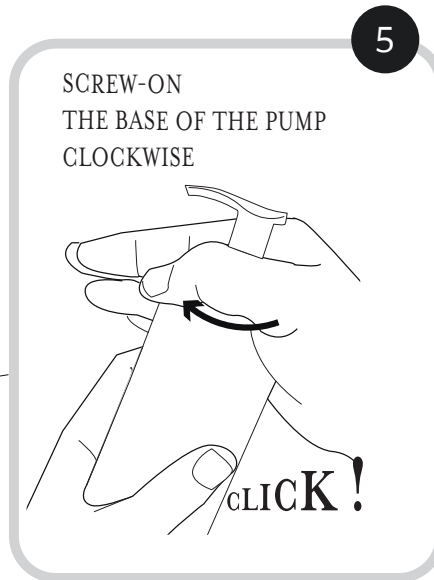


3

If using already existing holes, make sure that the plugs are solid enough. Plugs must be completely in the hole, overhanging parts must be cut off.



4



5



6



7