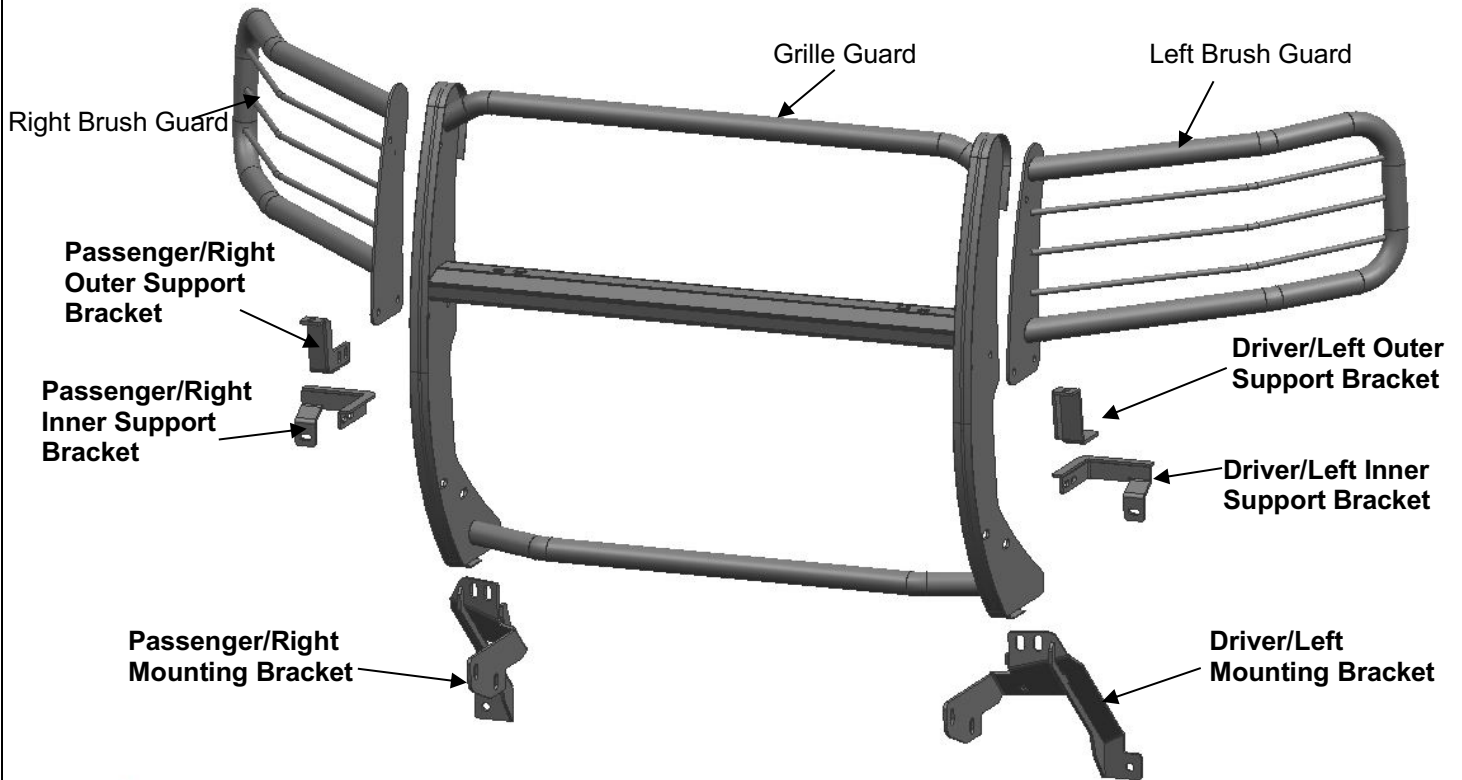




INSTALLATION INSTRUCTIONS
BLACK MODULAR GRILLE GUARD FOR FORD BRONCO SPORT 2021
PART # 17FP11MA

PARTS LIST:

1	Grille Guard	2	6mm x 25mm Hex Bolts
1	Driver/Left Mounting Bracket	2	6mm Lock Washers
1	Passenger/Right Mounting Bracket	2	6mm x 18mm OD x 1.6mm Flat Washers
1	Driver/Left Inner Support Bracket	12	Large Flat Washers D8
1	Passenger/Right Inner Support Bracket	2	Flat Washers D8
1	Driver/Left Outer Support Bracket	10	Flat Washers D8_22_2
1	Passenger/Right Outer Support Bracket	12	Nylon Lock Nuts M8
1	Left Brush Guard	4	Hex Bolts M8_30
1	Right Brush Guard	8	Button Head Bolts M8_25
4	12mm x 40mm Hex Bolts	8	Flat Washers D10_27_3
8	12mm x 32mm OD x 3mm Flat Washers	4	Nylon Lock Nuts M10
4	12mm Lock Washers	4	Hex Bolts M10_40
4	12mm Hex Nuts	1	Allen Wrench S=5

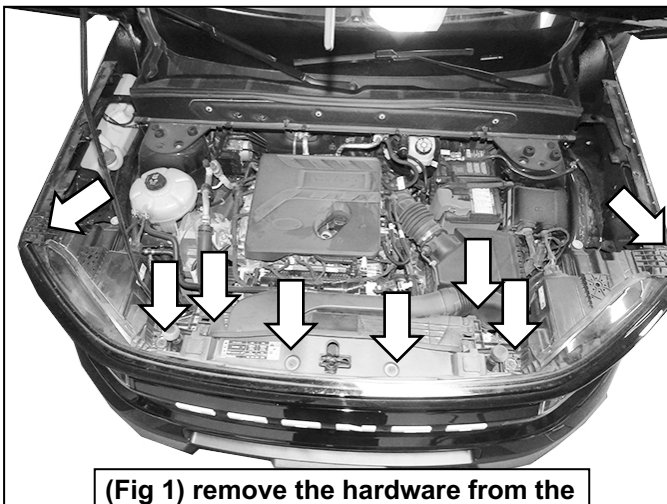
**PROCEDURE:**

REMOVE CONTENTS FROM BOX. VERIFY ALL PARTS ARE PRESENT. READ INSTRUCTIONS CAREFULLY BEFORE STARTING INSTALLATION. CUTTING MAY BE REQUIRED. INSTALLATION MAY INTERFERE WITH BUMPER MOUNTED PARKING SENSORS AND CAMERA. ASSISTANCE IS RECOMMENDED.

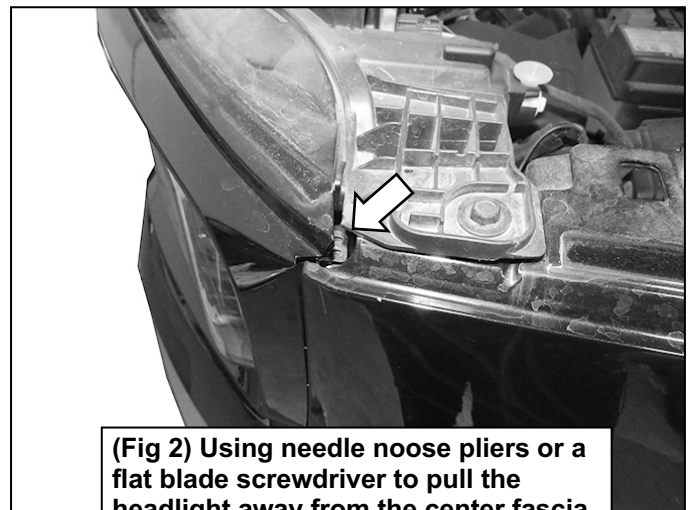
- Starting at the front of the vehicle, open the hood and remove the (8) bolts from the top of the plastic cover, **(Figure 1)**. **IMPORTANT:** On some models the plastic bumper may need to be trimmed or completely cut, **(Figure 17)**. Use a sharp knife or hacksaw blade and carefully cut out the pocket to clear the Bull Bar Brackets. Only cut enough to clear the Brackets.
- From the wheel wells, remove all the forward hardware attaching the cover to the bumper, **(Figure 3)**.

3. Remove the hardware attaching the bottom of the bumper to the vehicle, (**Figure 4**).
4. From inside the wheel well, locate the (3) bolts attaching the bumper to the fender frame, (**Figure 5**).
5. Gently but firmly pull the front of the fender away from the vehicle, (**Figure 6**).
6. Remove the electrical plugs from the headlights and inside the wheel wells, (**Figures 7 & 8**).
7. With assistance, carefully remove the front bumper and headlights from the front of the vehicle, (**Figure 9**). Place the bumper in a clean location.
8. Locate the (2) outer threaded studs with flange nuts. Temporarily remove the factory nuts from the crossbar, (**Figures 10 & 11**).
9. Select the Driver/Left Mounting Bracket, (**Figure 12**). Attach the top of the Bracket to the mounting tab with (2) 10mm Hex Bolts, (4) 10mm Flat Washers and (2) 10mm Nylon Lock Nuts, (**Figures 12 & 13**). Reuse the factory flange nut to attach the bottom of the bracket to the threaded stud, (**Figure 13**). Do not tighten hardware. Repeat this **Step** to attach the Passenger/Right Mounting Bracket.
10. Locate and remove the bolts on each side of the plastic scoop on the crossbar, (**Figure 14**). Select the Driver/Left Inner Support Bracket. Attach the Inner Support Bracket to the crossbar with (1) 6mm Hex Bolt, (1) 6mm Lock Washer and (1) 6mm Flat Washer, (**Figure 15**). Do not tighten hardware.
11. Select the Driver/Left Outer Support Bracket. Attach the Outer Bracket to the Inner Bracket with (2) 8mm Hex Bolts, (4) 8mm x 24mm Large Flat Washers and (2) 8mm Nylon Lock Nuts, (**Figure 16**). Do not tighten hardware.
12. Repeat **Steps 10 & 11** to attach the Passenger/Right Support Brackets.
13. Attach the Grille Guard to the Mounting Brackets with (4) 12mm Hex Bolts, (8) 12mm Flat Washers, (4) 12mm Lock Washers and (4) 12mm Hex Nuts, (**Figure 18**). Do not tighten hardware.
14. Attach the Grille Guard to the Outer Support Brackets with (2) 8mm Button Head Bolts, (4) 8mm x 18mm Small Flat Washers and (2) 8mm Nylon Lock Nuts, (**Figure 19**). Do not tighten hardware.
15. Connect L/R brush guards and Grille Guard with Button Head Bolts M8_25, Large Flat Washers D8 and Nylon Lock Nuts M8. (**Figure 20**)
16. Level the Grille Guard and tighten **ONLY** the Mounting and Support Bracket hardware.
17. Temporarily remove the Grille Guard from the Mounting and Support Brackets. Reattach the bumper to the vehicle only after it has been cut to clear the Brackets.
18. Reattach the Grille Guard and tighten all hardware.
19. Do periodic inspections to the installation to make sure that all hardware is secure and tight.

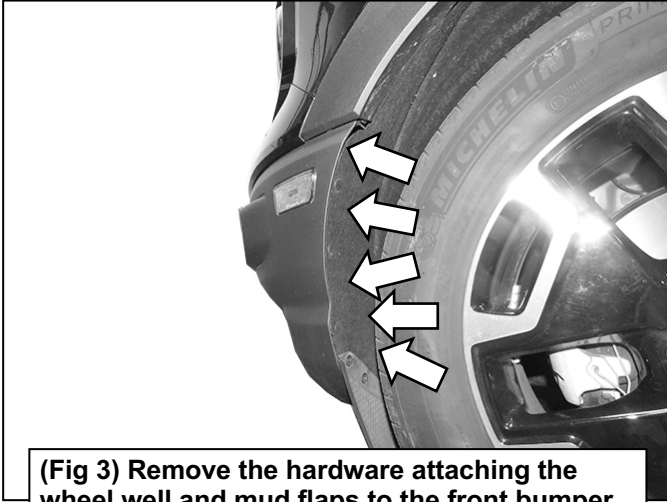
To protect your investment, Do not use any type of polish or wax that may contain abrasives that could damage the finish. Mild soap may be used also to clean the Grille Guard.



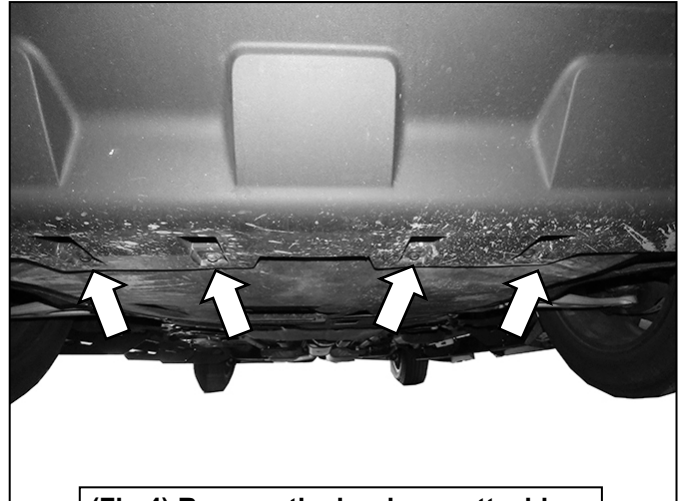
(Fig 1) remove the hardware from the top of the grille underneath the hood



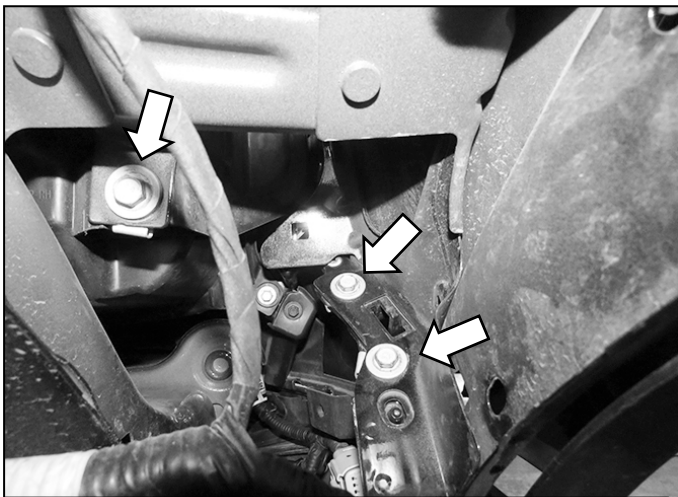
(Fig 2) Using needle nose pliers or a flat blade screwdriver to pull the headlight away from the center fascia



(Fig 3) Remove the hardware attaching the wheel well and mud flaps to the front bumper



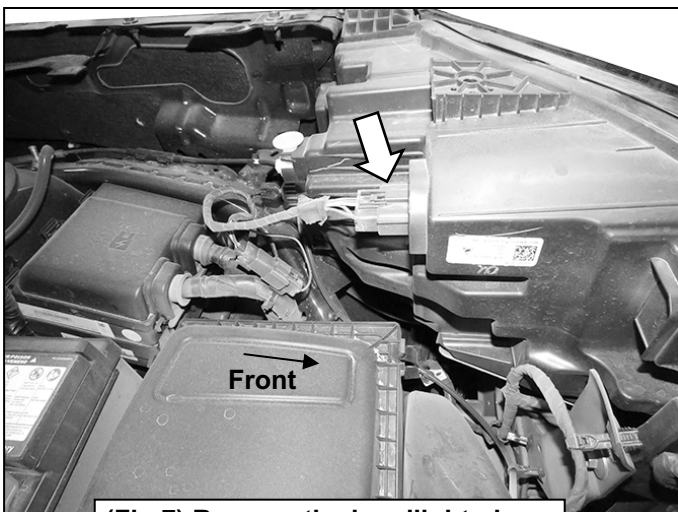
(Fig 4) Remove the hardware attaching the bottom of the bumper to the vehicle



(Fig 5) From inside the fender, behind the bumper, remove hardware attaching the front bumper



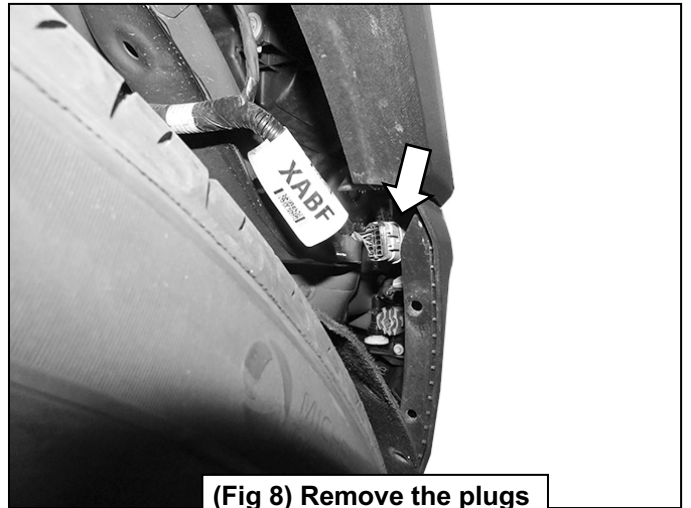
(Fig 6) Gently but firmly, pull the front of the fender out from the bumper



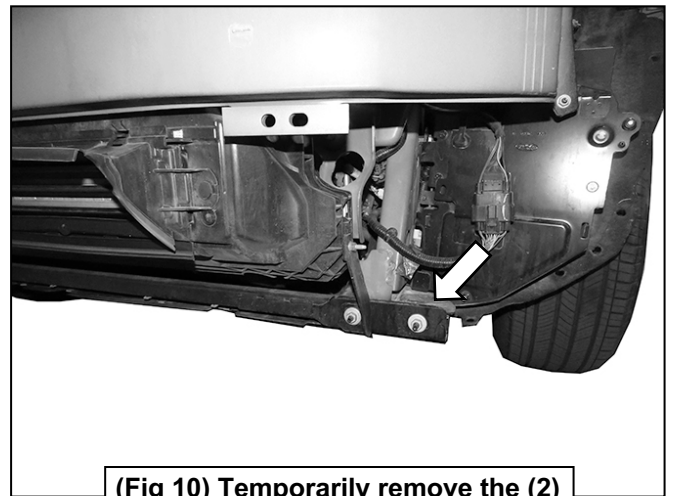
(Fig 7) Remove the headlight plugs



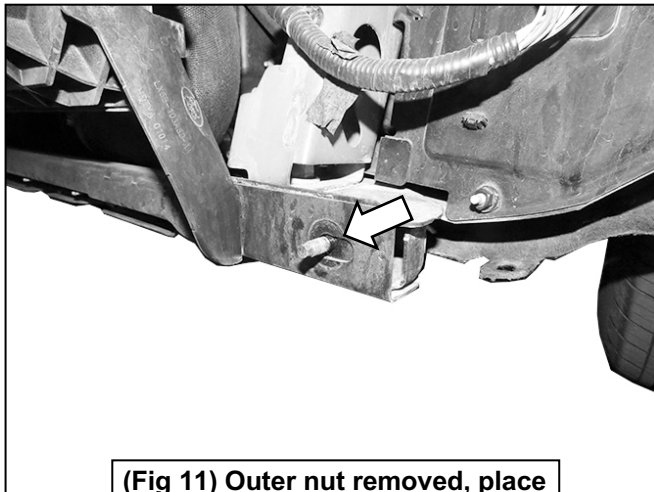
(Fig 9) Carefully remove the bumper and place in a safe location. Remove the (2) outer nuts from the lower crossbar



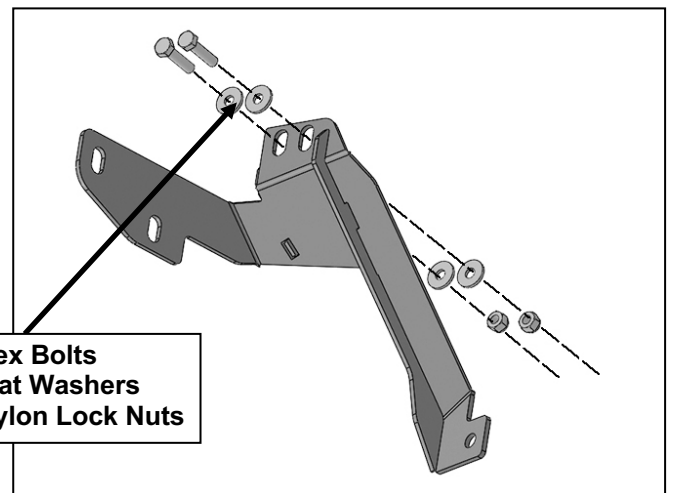
(Fig 8) Remove the plugs inside the fenders



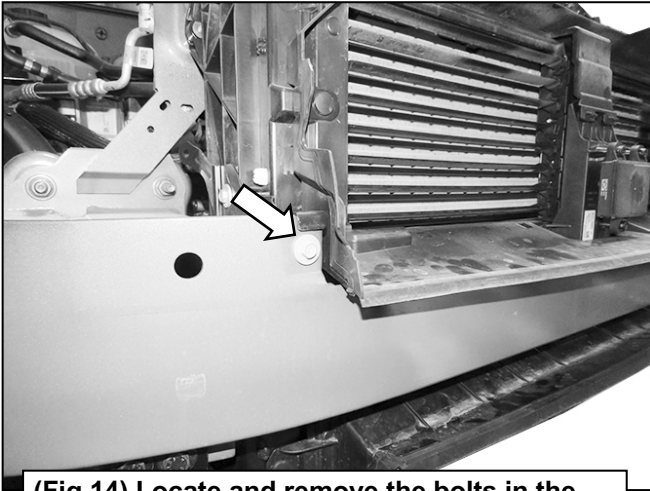
(Fig 10) Temporarily remove the (2) outer nuts from the lower crossbar



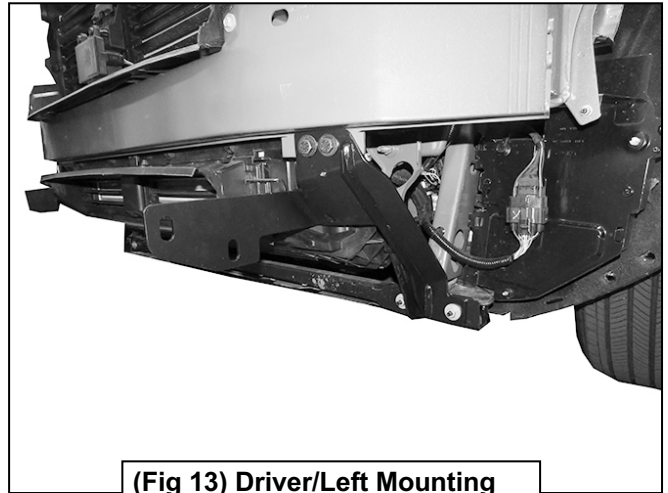
(Fig 11) Outer nut removed, place the nuts in a safe location



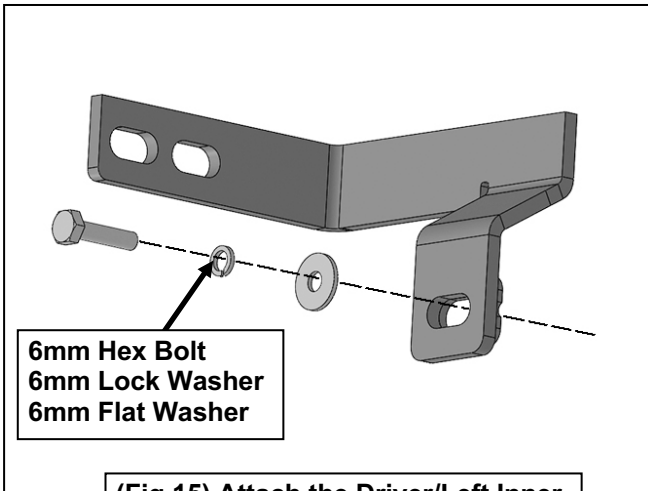
- (2) 10mm Hex Bolts**
- (4) 10mm Flat Washers**
- (2) 10mm Nylon Lock Nuts**



(Fig 14) Locate and remove the bolts in the upper crossbar (Passenger/Right side shown)



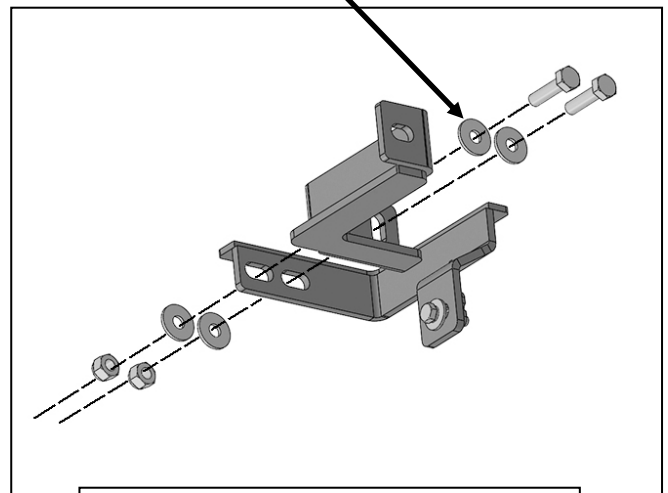
(Fig 13) Driver/Left Mounting Bracket attached to the vehicle



**6mm Hex Bolt
6mm Lock Washer
6mm Flat Washer**

(Fig 15) Attach the Driver/Left Inner Support Bracket to the crossbar

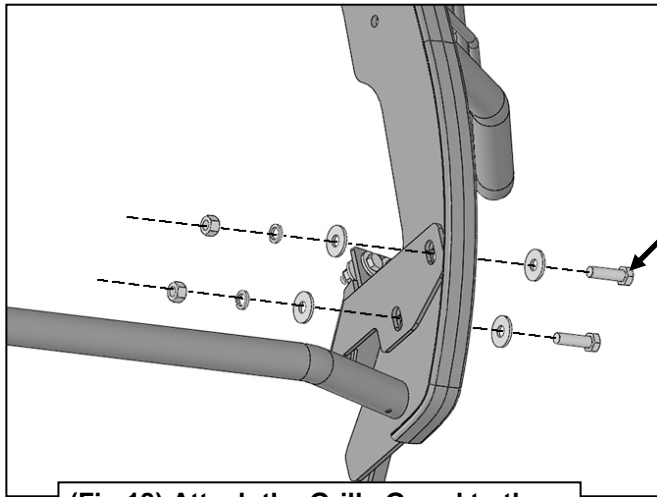
**(2) 8mm Hex Bolts
(4) 8mm Large Flat Washer
(2) 8mm Nylon Lock Nuts**



(Fig 16) Attach the Driver/Left Outer Support Bracket to the Inner Bracket



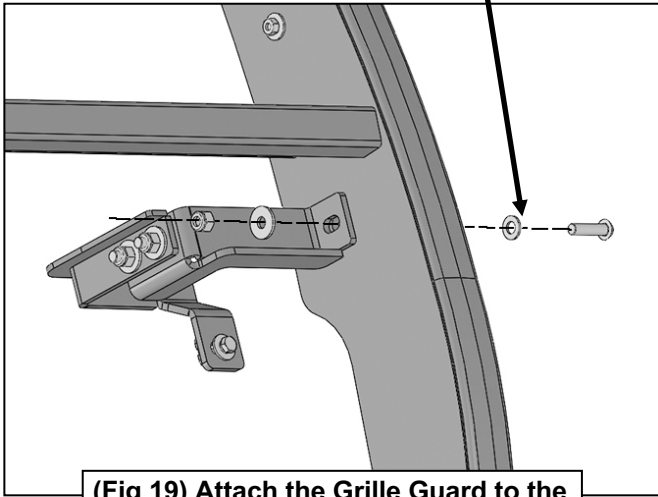
(Fig 17) From behind the bumper mark the indicated area with tape and with a hacksaw or sharp knife, make small cuts



- (2) 12mm Hex Bolts
- (4) 12mm Flat Washers
- (2) 12mm Lock Washers
- (2) 12mm Hex Nuts

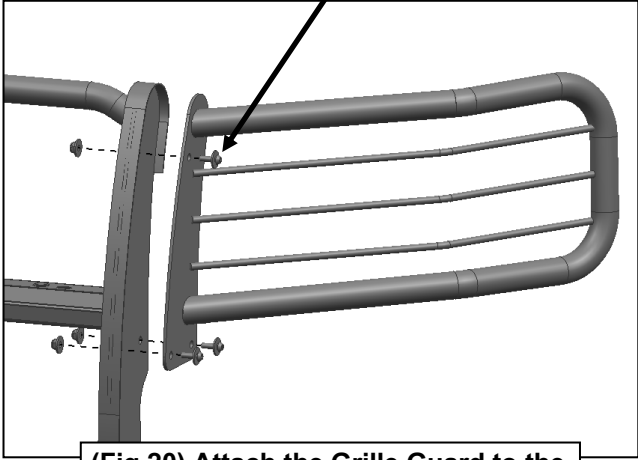
(Fig 18) Attach the Grille Guard to the outer faces of the Mounting Brackets

- 8mm Button Head Bolt
- 8mm Small Flat Washer
- 8mm Large Flat Washer
- 8mm Nylon Lock Nut



(Fig 19) Attach the Grille Guard to the outer faces of the Support Brackets

- Button Head Bolts M8_25
- Large Flat Washers D8
- Nylon Lock Nuts M8



(Fig 20) Attach the Grille Guard to the outer faces of the Support Brackets