



**Assembly, Installation, Operation and  
Maintenance Instructions  
3" Bull Bar**

**Part Number:  
B0042T/S**

**60 - 180 minutes**

**Dealer / Installer:** Provide a copy of these instructions to the end user of this product. These instructions provide important operating and safety information for proper usage of this product. Demonstrate the proper use of the product with the end user. Have the end user demonstrate that they understand the proper use of the product.

**End User:** Read and follow all instructions included in this manual. Ask your Dealer / Installer for assistance if you do not understand the proper use of the product. Never remove any decals from the product. Failure to follow these instructions can result in injury or death.

**⚠ WARNING ⚠**

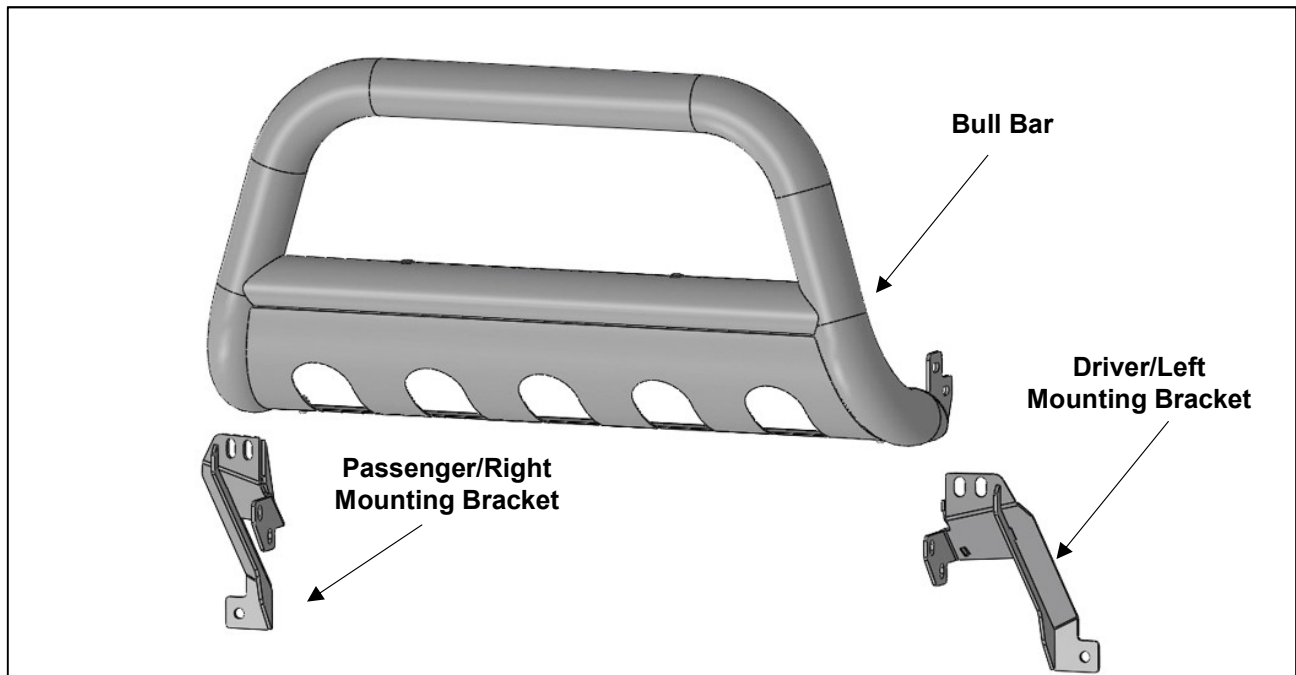
**APPLICATION: 2021- Current FORD BRONCO SPORT (EXCL VEHICLES WITH TOW HOOKS)**

**PARTS LIST**

Qty	Part Description	Qty	Part Description
1	Bull Bar	4	10mm x 35mm Hex Bolts
1	Driver/Left Mounting Bracket	16	10mm x 27mm OD x 3mm Flat Washers
1	Passenger/Right Mounting Bracket	8	10mm Nylon Lock Nuts
4	10mm x 40mm Hex Bolts		

**TORQUE SPECIFICATION**

Size	Torque
10 MM	34.5 ft/lbs



## **INSTALLATION PROCEDURE:**

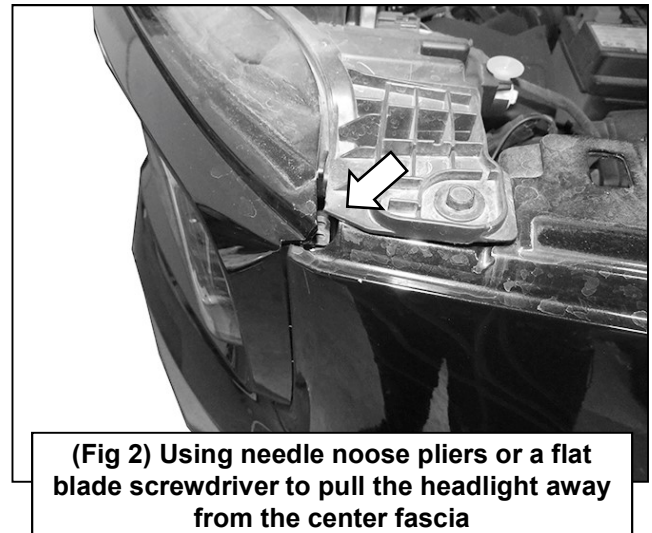
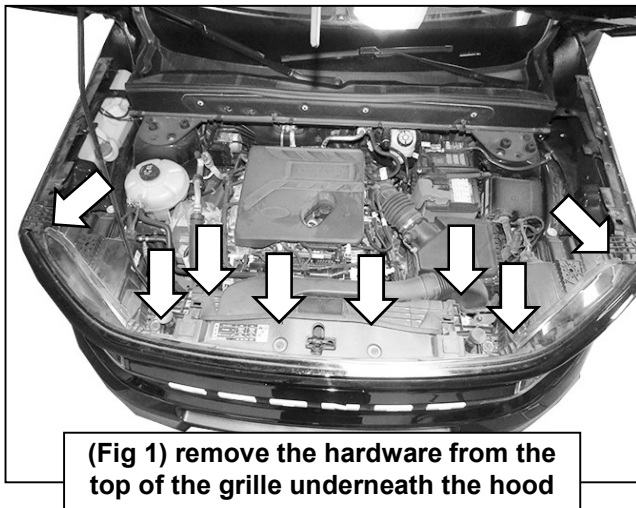
**REMOVE CONTENTS FROM BOX. VERIFY ALL PARTS ARE PRESENT. READ INSTRUCTIONS CAREFULLY BEFORE STARTING INSTALLATION. CUTTING MAY BE REQUIRED. INSTALLATION MAY INTERFERE WITH BUMPER MOUNTED PARKING SENSORS AND CAMERA. ASSISTANCE IS RECOMMENDED.**

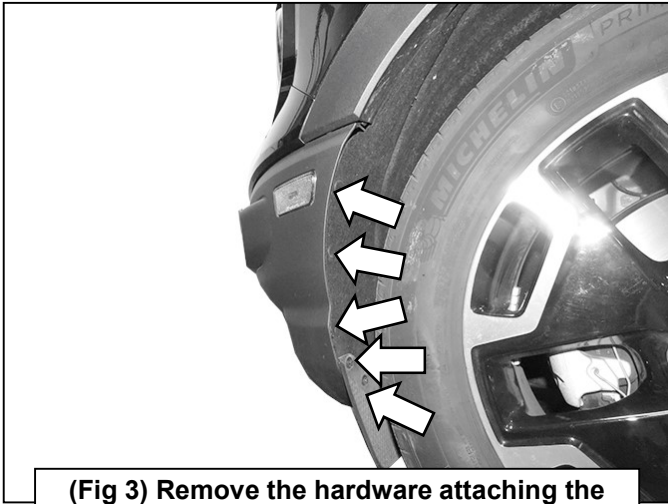
1. Starting at the front of the vehicle, open the hood and remove the (8) bolts from the top of the plastic cover, (Figure 1). **IMPORTANT:** On some models the plastic bumper may need to be trimmed or completely cut, (Figures 14 & 15). Use a sharp knife or hacksaw blade and carefully cut out the pocket to clear the Bull Bar Brackets. Only cut enough to clear the Brackets.
2. From the wheel wells, remove all the forward hardware attaching the cover to the bumper, (Figure 3).
3. Remove the hardware attaching the bottom of the bumper to the vehicle, (Figure 4).
4. From inside the wheel well, locate the (3) bolts attaching the bumper to the fender frame, (Figure 5).
5. Gently but firmly pull the front of the fender away from the vehicle, (Figure 6).
6. Remove the electrical plugs from the headlights and inside the wheel wells, (Figures 7 & 8).
7. With assistance, carefully remove the front bumper and headlights from the front of the vehicle, (Figure 9). Place the bumper in a clean location.
8. Locate the (2) outer threaded studs with flange nuts. Temporarily remove the factory nuts from the crossbar, (Figures 10 & 11).
9. Select the Driver/Left Mounting Bracket, (Figure 12). Attach the top of the Bracket to the mounting tab with (2) 10mm Hex Bolts, (4) 10mm Flat Washers and (2) 10mm Nylon Lock Nuts, (Figures 12 & 13). Reuse the factory flange nut to attach the bottom of the bracket to the threaded stud, (Figure 13). Do not tighten hardware. Repeat this Step to attach the Passenger/Right Mounting Bracket.
10. Attach the Bull Bar to the Mounting Brackets with (4) 10mm Hex Bolts, (8) 10mm Flat Washers and (4) 10mm Nylon Lock Nuts, (Figure 16). Do not tighten hardware.
11. Level the Bull Bar and tighten **ONLY** the mounting bracket hardware.
12. Temporarily remove the Bull Bar from the Mounting Brackets. Reattach the bumper to the vehicle only after it has been cut to clear the Brackets.
13. Reattach the Bull Bar and tighten all hardware.
14. Do periodic inspections to the installation to make sure that all hardware is secure and tight.

**To protect your investment,** Do not use any type of polish or wax that may contain abrasives that could damage the finish. Mild soap may be used also to clean the Bull Bar.

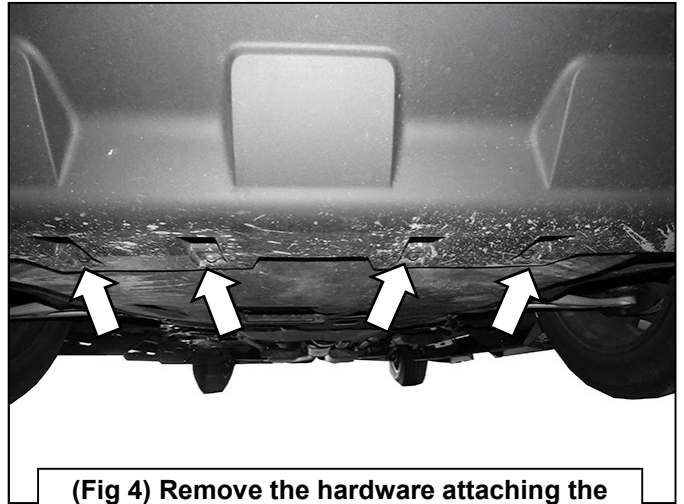
## **INSTALLATION IMAGES:**

### **Passenger/right Side Installation Pictured**

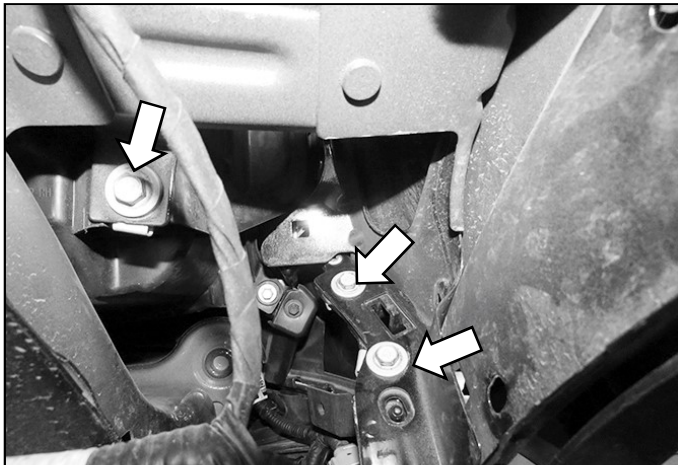




**(Fig 3) Remove the hardware attaching the wheel well and mud flaps to the front bumper**



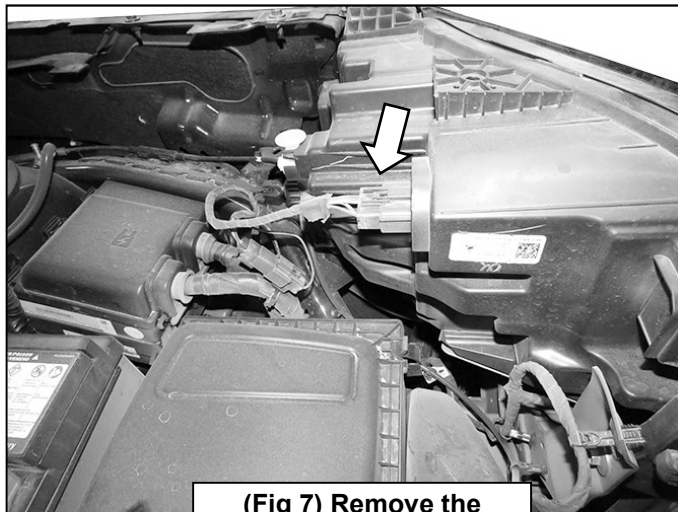
**(Fig 4) Remove the hardware attaching the bottom of the bumper to the vehicle**



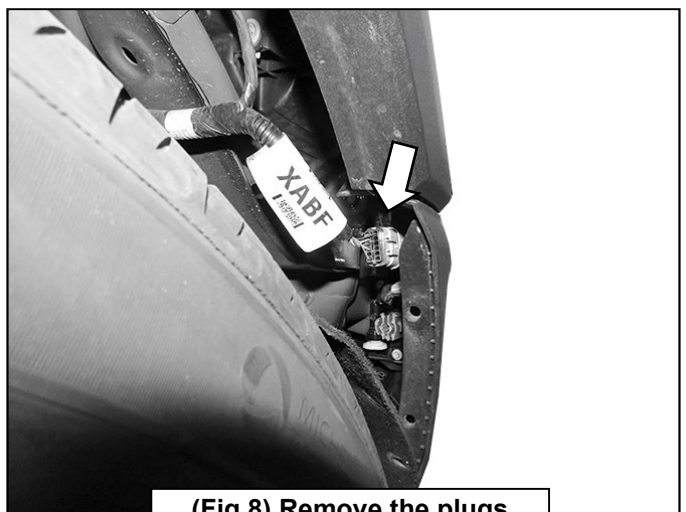
**(Fig 5) From inside the fender, behind the bumper, remove hardware attaching the front bumper**



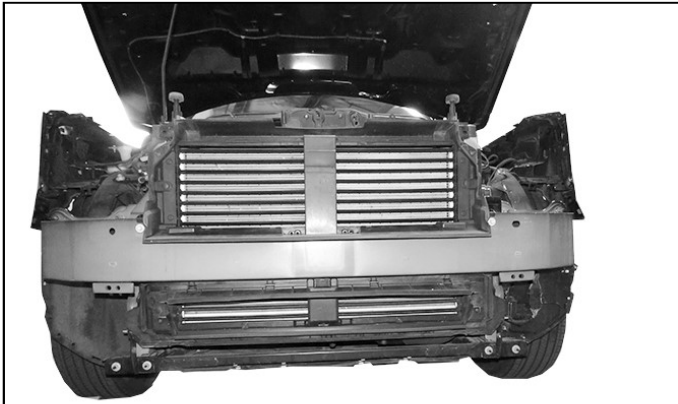
**(Fig 6) Gently but firmly, pull the front of the fender out from the bumper**



**(Fig 7) Remove the headlight plugs**



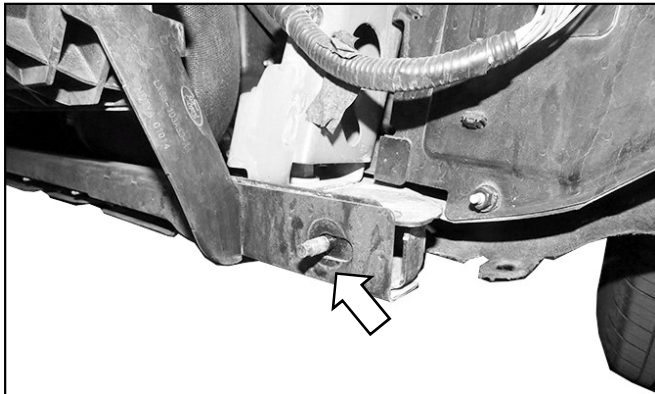
**(Fig 8) Remove the plugs inside the fenders**



**(Fig 9) Carefully remove the bumper and place in a safe location. Remove the (2) outer nuts from the lower crossbar**

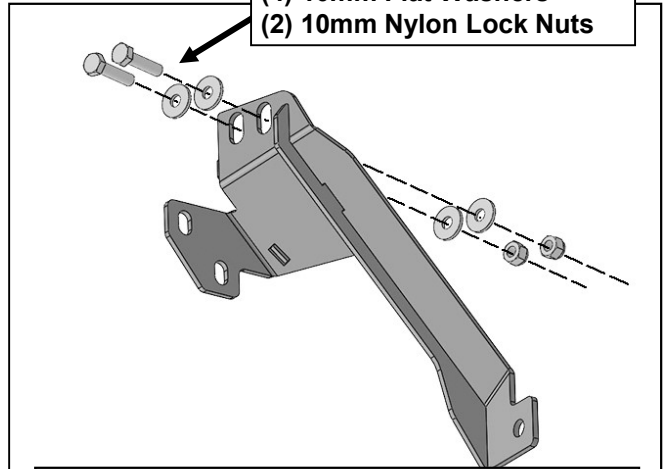


**(Fig 10) Temporarily remove the (2) outer nuts from the lower crossbar**

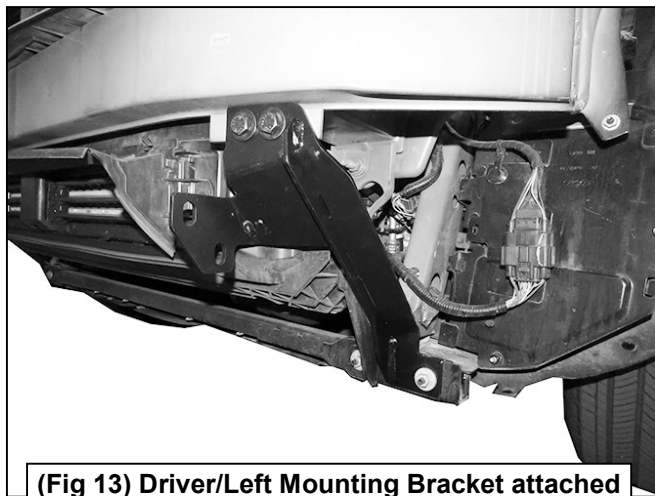


**(Fig 11) Outer nut removed, place the nuts in a safe location**

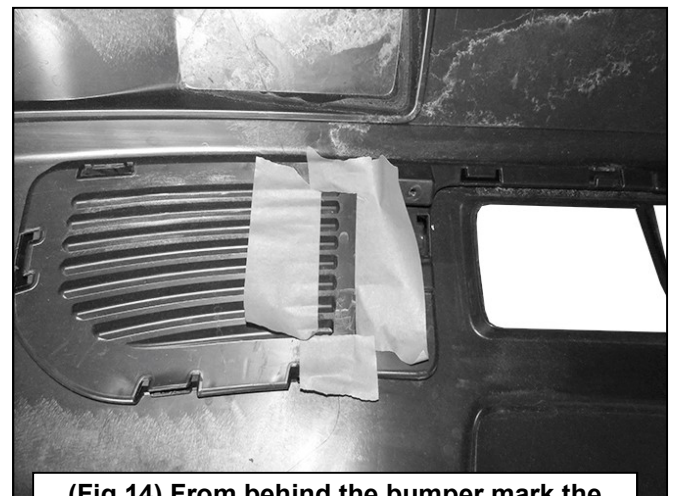
- (2) 10mm Hex Bolts**
- (4) 10mm Flat Washers**
- (2) 10mm Nylon Lock Nuts**



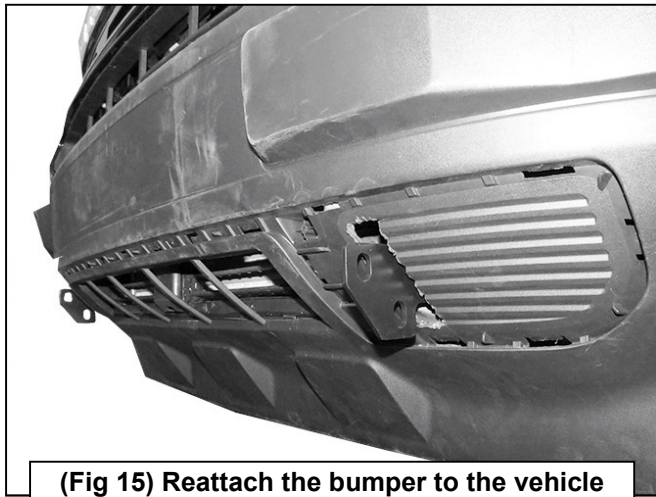
**(Fig 12) Attach the top of the Driver/Left Mounting Bracket to the (2) holes in fig 10. Reuse the factory nuts to attach the bottom of the Bracket to the threaded stud**



**(Fig 13) Driver/Left Mounting Bracket attached to the vehicle**

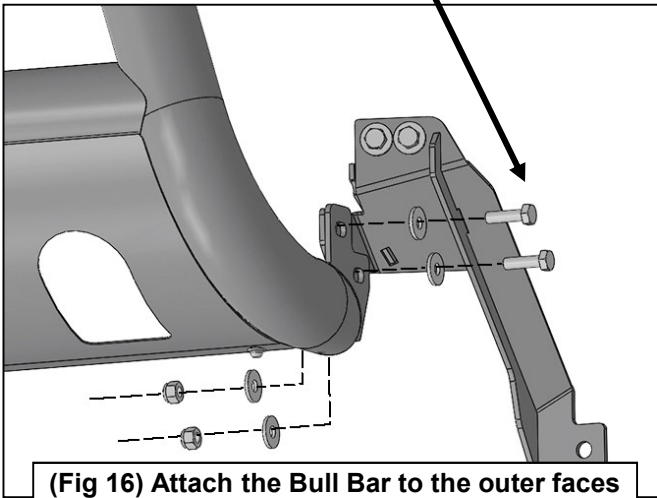


**(Fig 14) From behind the bumper mark the indicated area with tape and with a hacksaw or sharp knife, make small cuts**



**(Fig 15) Reattach the bumper to the vehicle**

- (2) 10mm Hex Bolts**
- (4) 10mm Flat Washers**
- (2) 10mm Nylon Lock Nuts**



**(Fig 16) Attach the Bull Bar to the outer faces of the Mounting Brackets**

**PRODUCT CARE**

- Periodically check the product to ensure all fasteners are tight and components are intact.
- Regular waxing is recommended to protect the finish of the product.
- Use ONLY Non-Abrasive automotive wax. Use of any soap, polish or wax that contains an abrasive is detrimental and can scratch the finish leading to corrosion.
- Aluminum polish may be used to polish small scratches and scuffs for Stainless Steel finish.
- Mild soap may be used to clean the product for both Stainless Steel and Black finish.

**FAQ's**

**1. Hardware and mounting brackets are not aligning properly**

Ensure that hardware is being used on the correct side of vehicle. In some cases, the hardware may appear the same for driver and passenger side but may alter the alignment of mounting location. Check mounting brackets for both sides.

**2. Products are thumping / rattling after Installation**

Ensure that all required mounting brackets / hardware's are installed & tightened correctly.  
Suggest using white Lithium / regular grease between metal-to-metal contact.

**3. Missing / Excess Hardware**

Recheck hardware count as per the part list.

**4. Product not installing properly**

Ensure the Year / Make / Model as well as cab and bed dimensions are correct for the application. Review all steps for installation to ensure they were followed correctly.

**5. Who should be contacted for questions regarding product / installation assistance?**

[www.trailfx.com](http://www.trailfx.com) / [support@trailfx.com](mailto:support@trailfx.com) or 1-(866) 638-4870

# Warranty Terms:

**Black Powder Coated:  
Stainless Steel Polished:**

**3 Year Limited Warranty  
Limited Lifetime Warranty**

TrailFX and Keystone Automotive Operations Inc. make no guarantees or warranties for products not manufactured by Keystone Automotive Operations Inc. Such products are covered solely under any applicable warranty of the manufacturer. It is always recommended that the operating instructions and warranty instructions provided by the manufacturer are followed.

Keystone Automotive Operations Inc. warrants its products to be free from manufacturing and material defects to the original purchaser for the length of warranty stated above from the date of retail purchase. If any products are found to have a manufacturing or material defect, the product will be replaced or repaired at the option of TrailFX and Keystone Automotive Operations Inc. with proof of purchase by the original purchaser. The original purchaser shall pay all transportation and shipping costs associated with the return of the defective product and the defective product shall become the property of Keystone Automotive Operations Inc.

The Warranty applies to Keystone Automotive Operations Inc. products used for individual and recreational purposes. Commercial usage of the Keystone Automotive Operations Inc. products limits the warranty to 90-days from date of purchase.

The Warranty applies only to Keystone Automotive Operations Inc. products which are found to be defective in manufacturing or material. This warranty does not apply to normal wear and tear of the finish placed on Keystone Automotive Operations Inc. products.

TrailFX and Keystone Automotive Operations Inc. are not responsible for any labor costs incurred for removal or replacement of the defective product.

TrailFX and Keystone Automotive Operations Inc. are not responsible for repair or replacement of any product under the limited warranty where the product was improperly installed, misapplied, altered, abused, neglected, overloaded, misused or damaged as a result of an accident, including any use of the product not in accordance with all product operating and safety instructions.

Without limiting the generality of the foregoing, TrailFX and Keystone Automotive Operations Inc. shall under no circumstances be liable for any incidental or consequential loss or damage whatsoever arising out of, or in any way relating to any such breach of warranty or claimed defect in, or non-performance of the products. Some states do not allow the exclusion or limitation of incidental or consequential damages, so the above exclusion or limitation may not apply to you.

This limited warranty gives you specific legal rights, and you may also have other rights that vary from state to state.