

PRO

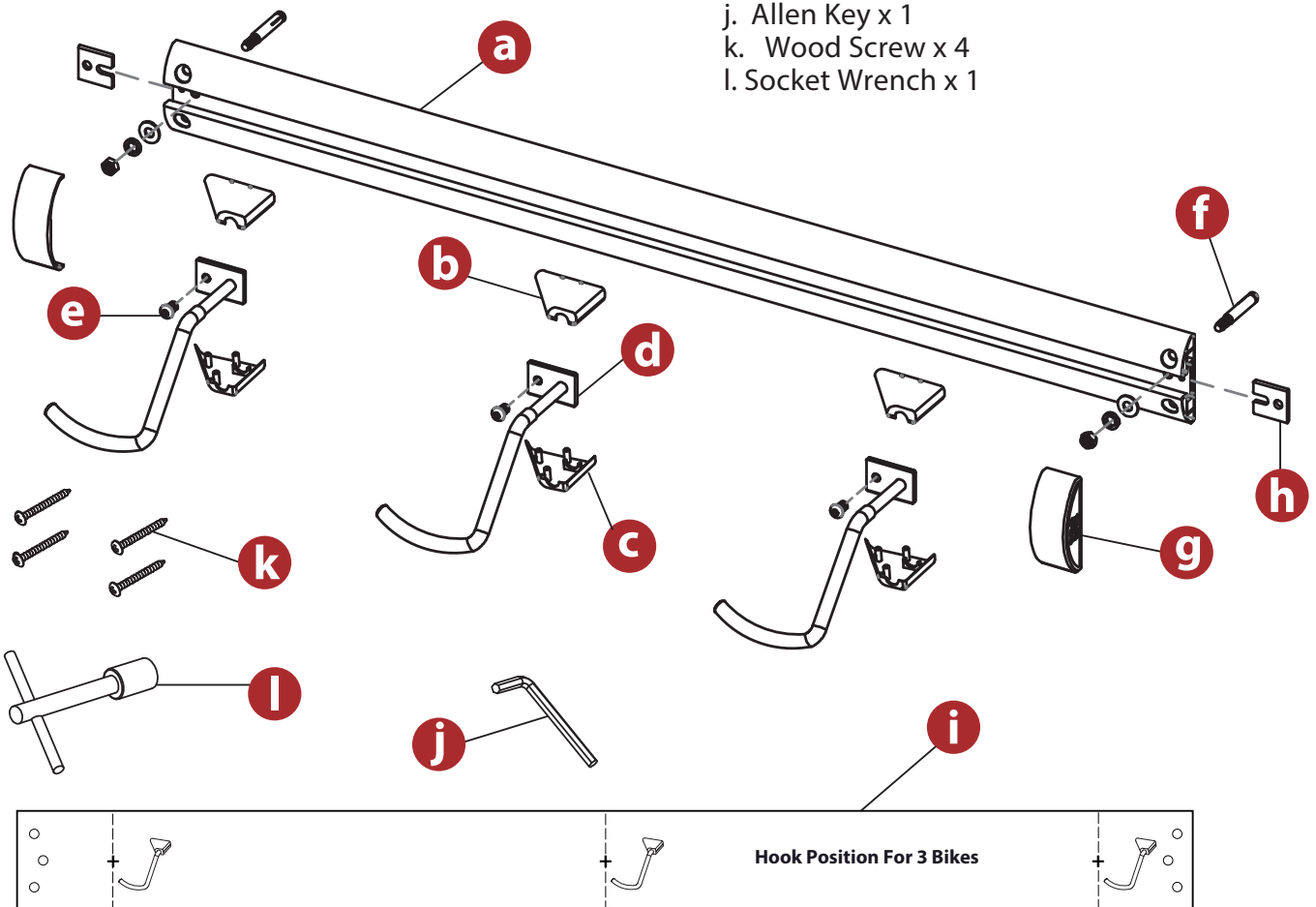
BIKE TOOL

Indoor Bike Rack - 3 Bikes

Tools Required

Drill
Drill bit 8mm (0.3 in)
Hammer

- a. Aluminium Rail x 1
- b. Hook Cap-Upper x 3
- c. Hook Cap-Lower x 3
- d. Hooks x 3
- e. Hook Bolt x 3
- f. Extension Bolt x 2
- g. Side Caps x 2
- h. Slot Washer x 2
- i. Drills and Hooks Position Paper x 1
- j. Allen Key x 1
- k. Wood Screw x 4
- l. Socket Wrench x 1



IMPORTANT - INSTALLATION

Please adhere to the below instructions to ensure warranty is not void.

Use correct bolts or screws, expansion anchors, electric tools and drill tool bits for installation.

DO NOT install the bike wall rack on unsupported wall surfaces e.g. plasterboard wall unless there is a strong wooden stud behind it.

ONLY install the bike wall rack on a solid stud, masonry or concrete wall. The bike wall rack is designed for use

on a wall structure in good condition which is suitably robust to carry the weight of the bikes to be hung on it. It is your responsibility to ensure the rack is installed on a suitable surface. ONLY use correct wall fixings and anchors appropriate for the type of wall. Be careful to avoid any electrical, plumbing or water fittings within or behind the wall.

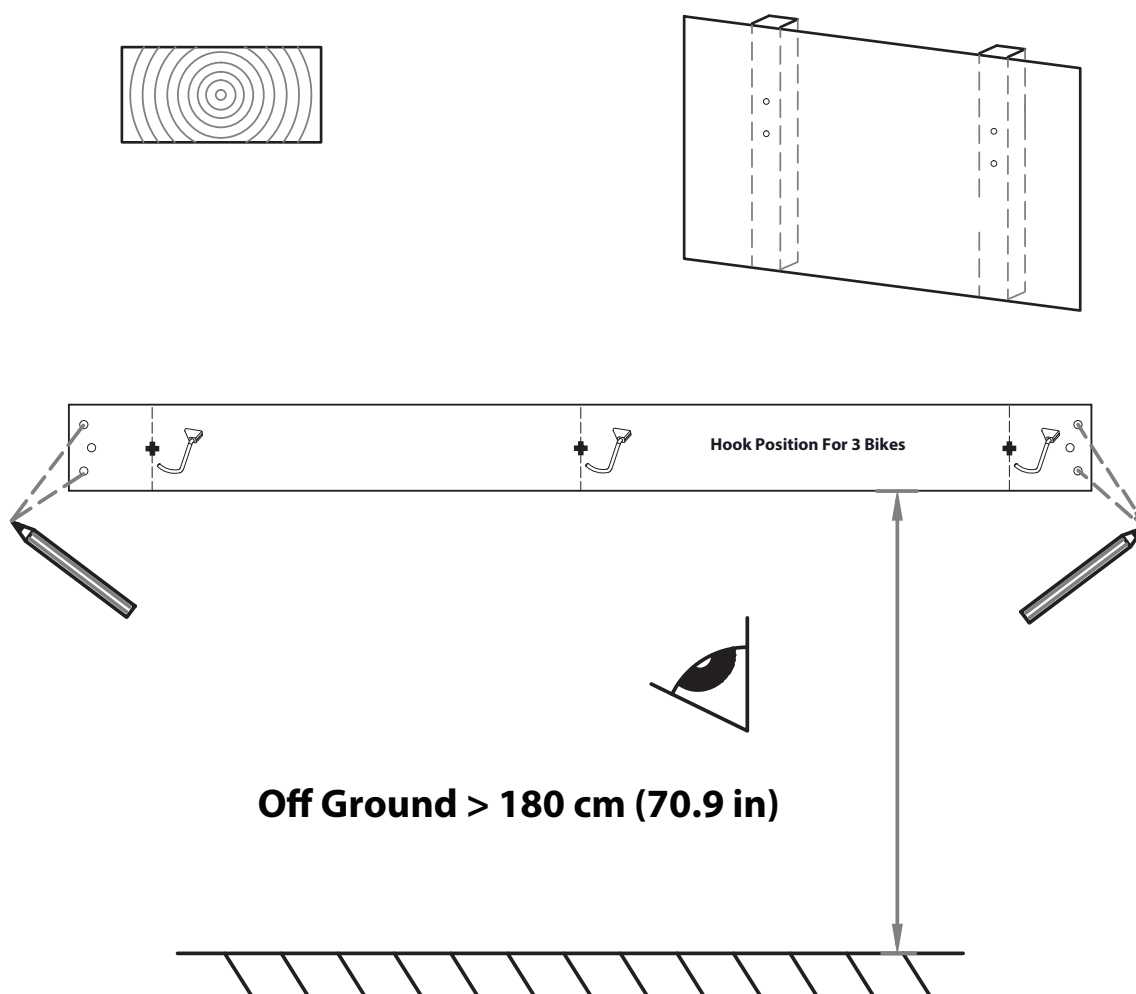
Sufficient expertise is required for the correct and safe installation of the bike wall rack. **Please seek professional help if required.**

1 Install Bike Wall Rack on Wall

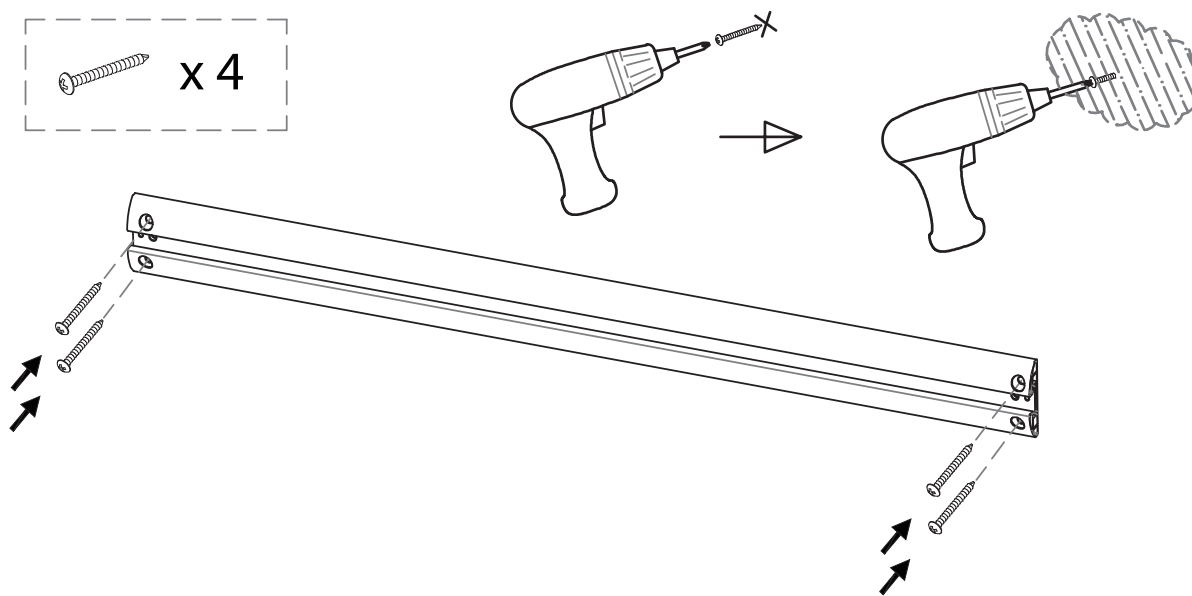
Mount Bike Wall Rack on a solid stud, beam, masonry or concrete wall with correct fixings and anchors. Mount in an appropriate place where it is unlikely to cause obstruction. Determine correct height for the Bike Wall Rack, the Aluminium Rail (a) should be at least 180 cm (70.9 inches) from the ground. Please see the below installation instructions for the two different wall types
A. Plasterboard / Dry Wall (Stud Wall) B. Masonry / Concrete Wall

A. Plasterboard / Dry Wall (Stud Wall)

Attach and make level the Drills and Hooks Position Paper (i) on wall.
Mark the drill holes on wall at both ends as per diagram.

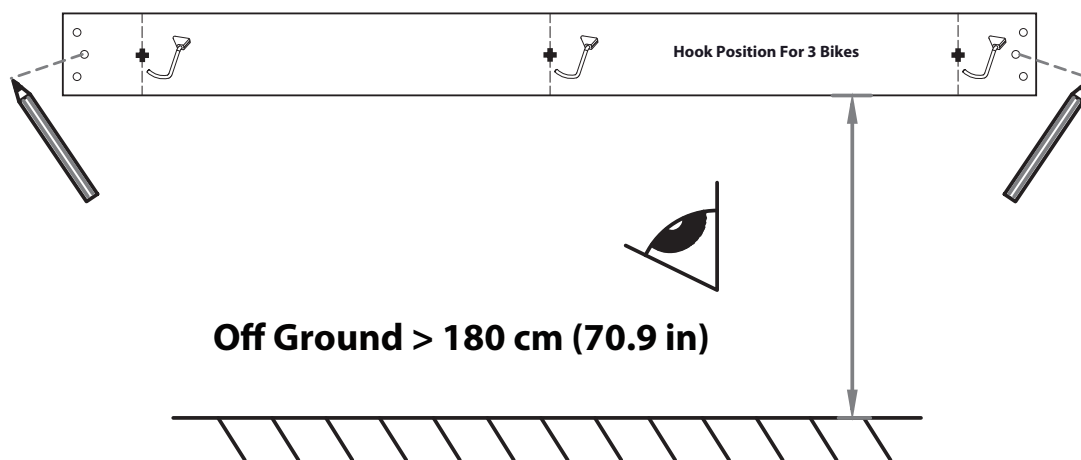
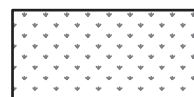


Place Aluminium Rail (a) on wall, make sure holes are on the drill marks, and then screw in wood screws (k) into wall, fully and securely.

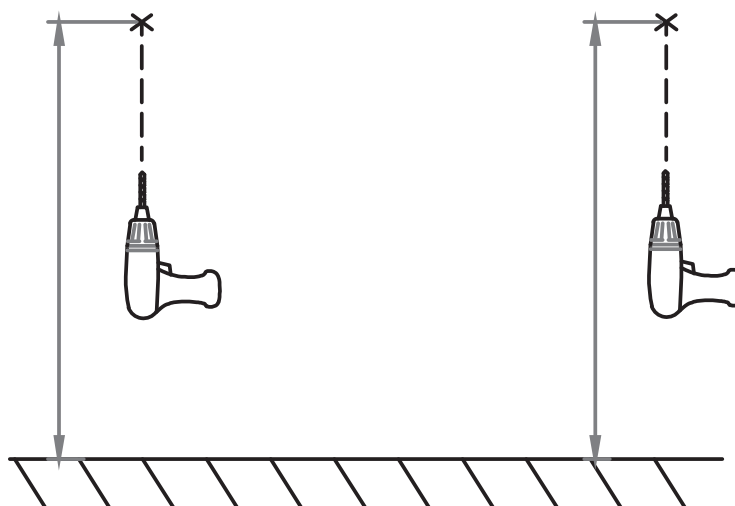


B. Masonry / Concrete Wall

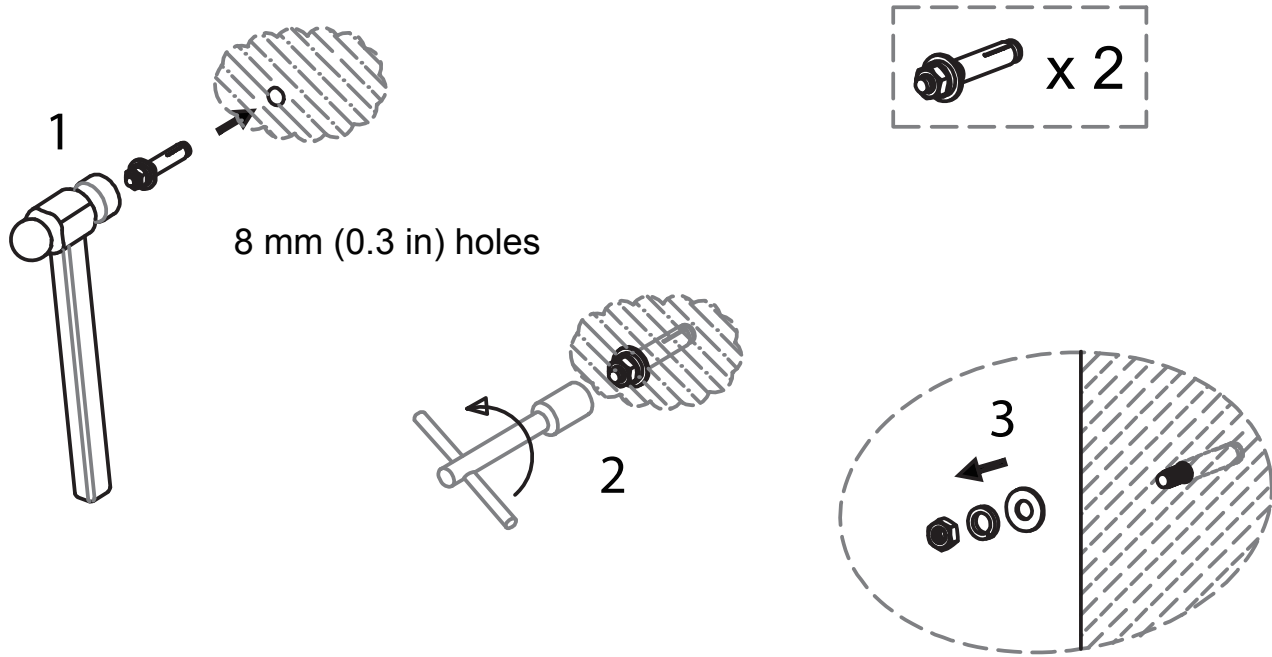
Attach and make level the Drills and Hooks Position Paper (k) on wall. Mark the drill holes on wall at both ends as per diagram.



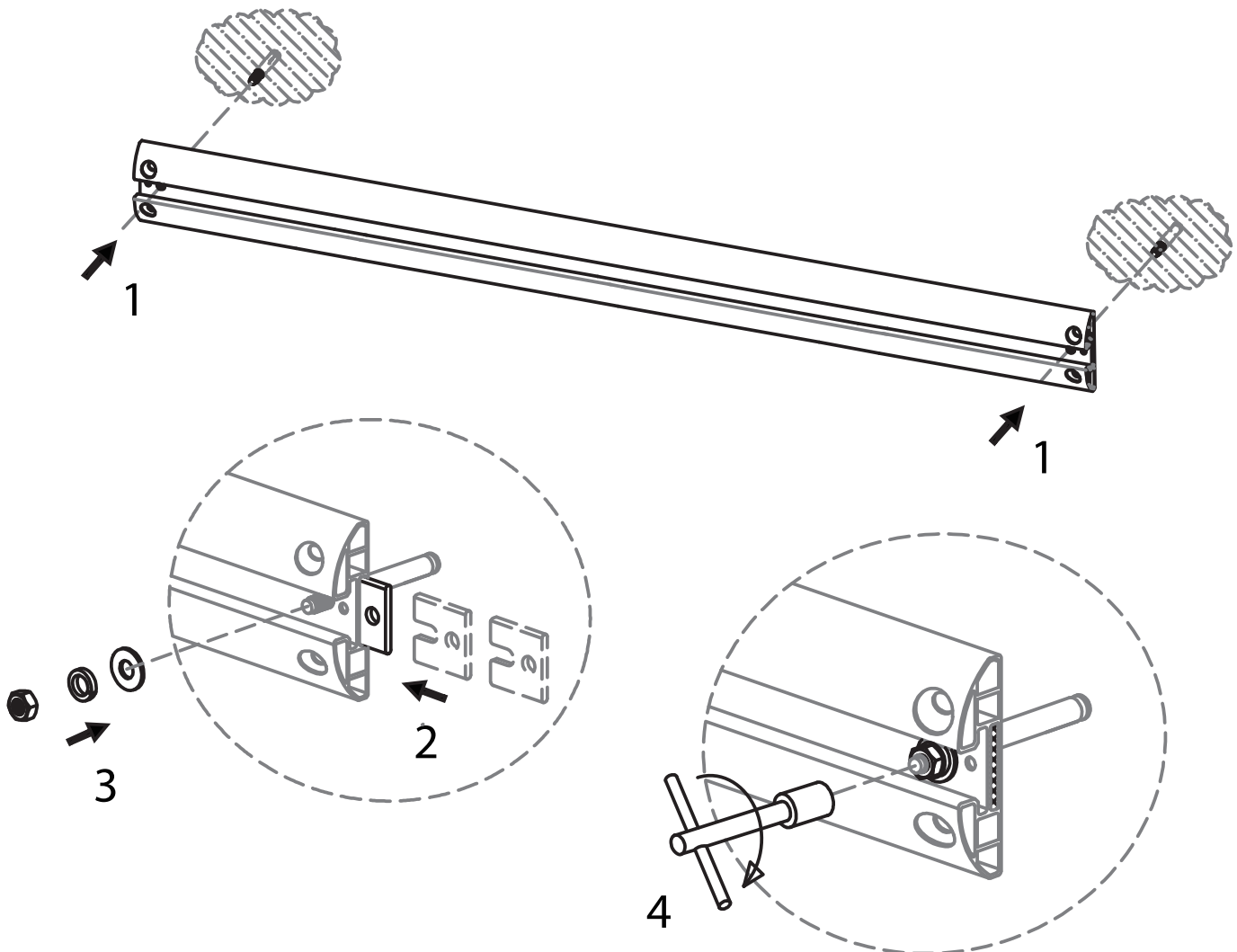
Drill holes into wall using 8 mm (0.3 in) bit. Hole depth: 35 mm (1.4 in) minimum.



1. Knock extension bolts into holes in wall.
2. Use socket wrench (I) to unscrew nuts (counter clockwise).
3. Remove the hardware (washers and nuts).

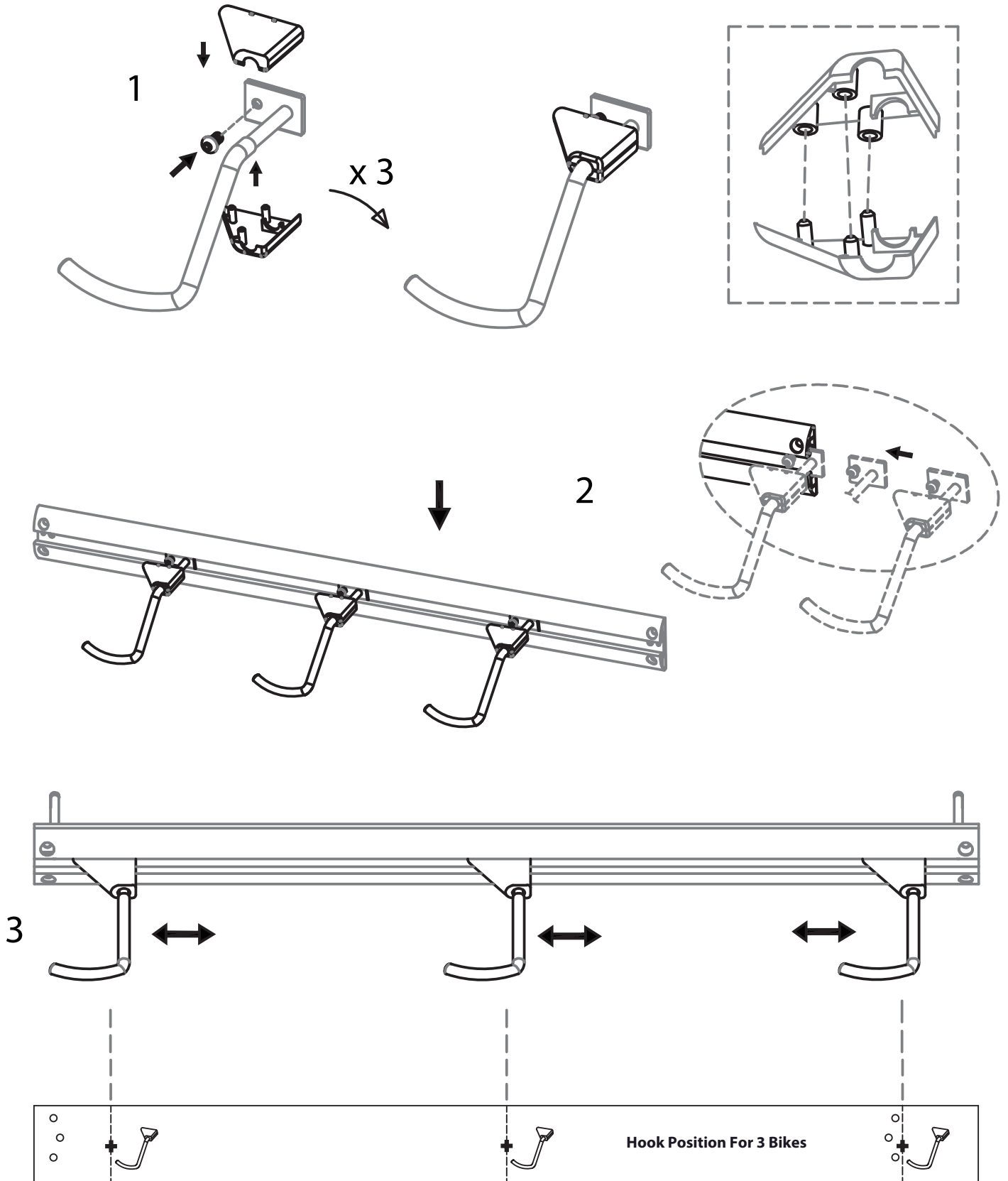


1. Mount Aluminium Rail on the extension bolts.
2. Slide in and position slot washers (h) into each end.
3. Place hardware (washers and nuts) on extension bolts.
4. Tighten rail with washers and nuts using socket wrench (I) clockwise rotation.



2 Assemble Hooks

1. Assemble hooks as per diagram.
2. Slide hooks into Aluminium Rail.
3. Position hooks in rail either using guide positioning as per positioning paper (i) or according to individual spacing preference.

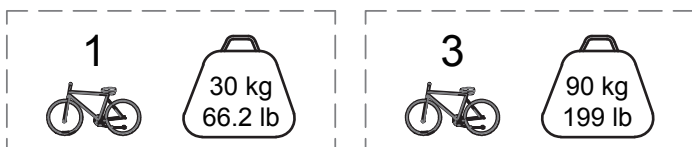


CAUTION!

It is important that the bike wall rack and accessories are properly and securely attached to the wall according to the instructions and only used for its predetermined purpose. Inspect the bike wall rack is installed correctly before hanging a bike. Failure to check that the bike wall rack has been installed correctly can result in possible bodily harm or bicycle damage. Periodic inspections for wear and tear of the bike wall rack and accessories are required. If any of the above requirements are not complied with when installing the bike wall rack, PRO BIKE TOOL shall not be liable or otherwise responsible for any damage to goods or injuries sustained because of incorrect or inappropriate installation of the bike wall rack.

WARNING!

The maximum weight that can be carried by the bike wall rack is specified in this instruction manual. **DO NOT EXCEED** the maximum allowable weight per bike to be carried by the bike wall rack. Be careful when walking around or under the bike wall rack when it is loaded to prevent bodily harm.



Register your Lifetime Warranty

Your purchase comes with a lifetime warranty against manufacturer defects. To register and activate your warranty please visit : probiketool.com/warranty

Not totally satisfied or need help?

We are committed to customer satisfaction, so if you are not happy with your purchase, please contact us at support@probiketool.com so that we can make it right. We pride ourselves in responding within 24 hours.

VIP Club

Join our VIP Club to receive coupon deals and information on our new products probiketool.com/vip

Follow Us!

To keep up to date with all the latest products, news and awesome deals from PRO BIKE TOOL, sign up for our newsletter at probiketool.com, or follow us at:



Facebook

facebook.com/probiketool



Instagram

[@probiketool](https://instagram.com/probiketool)



Twitter

[@probiketool](https://twitter.com/probiketool)