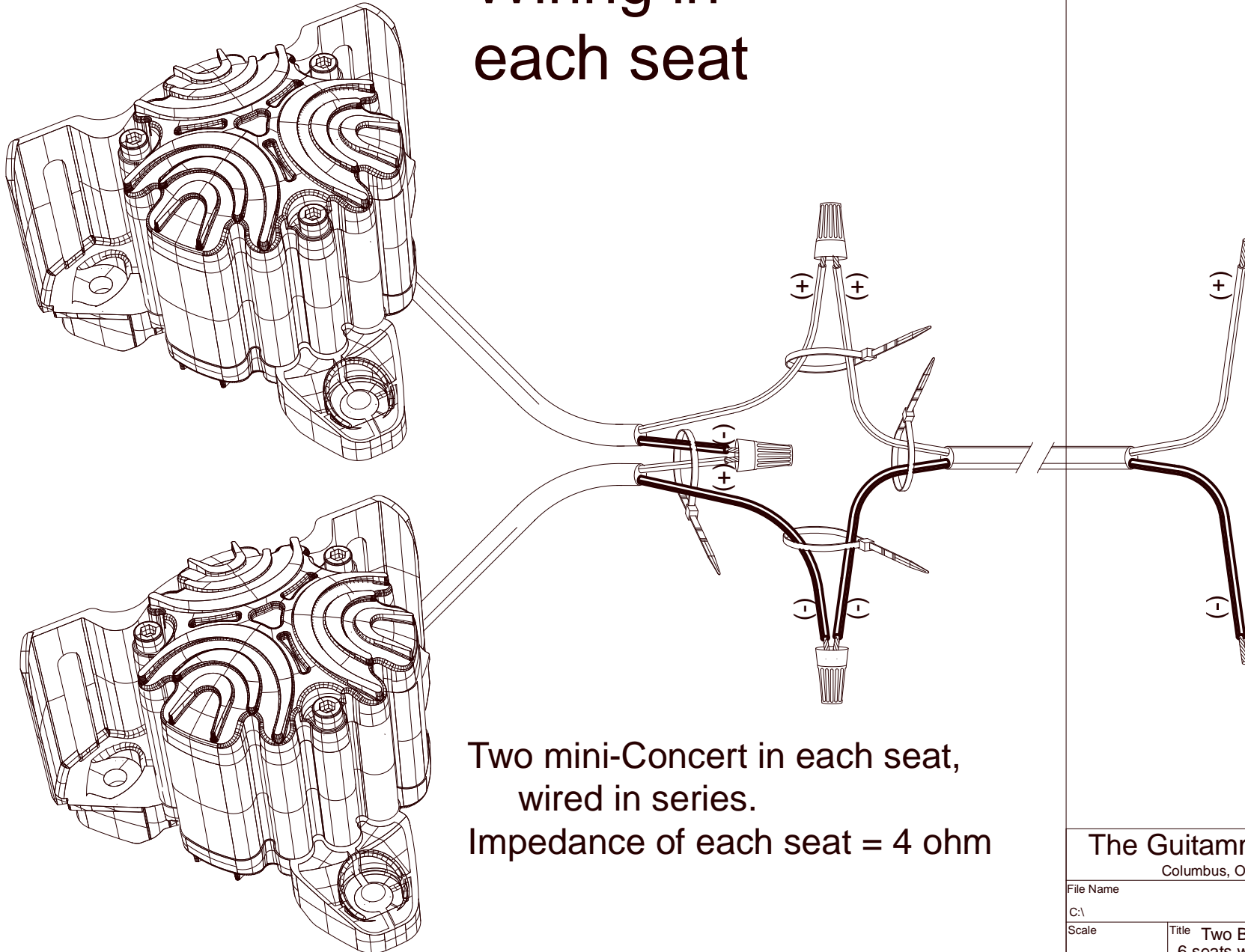


STEP 1

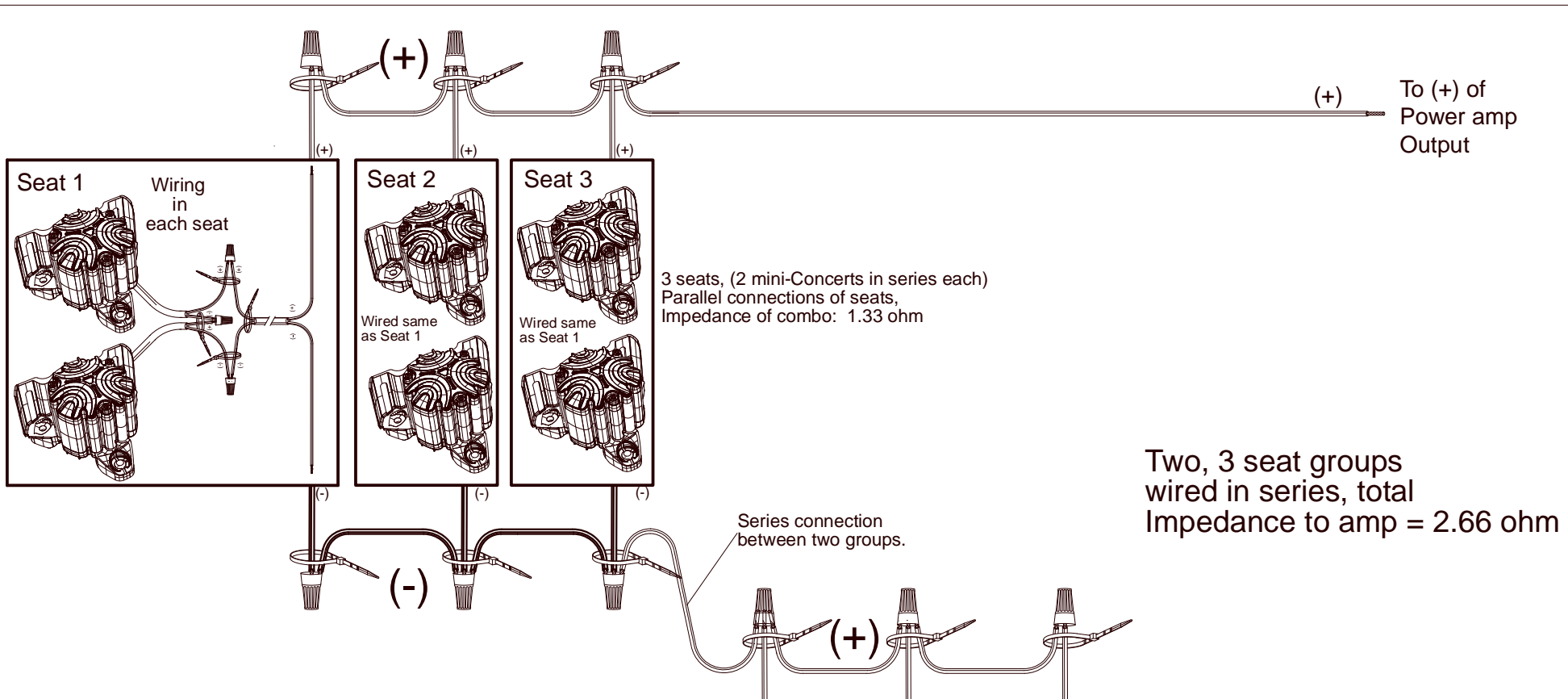
Wiring in each seat



Two mini-Concert in each seat,
wired in series.
Impedance of each seat = 4 ohm

The Guitammer Company
Columbus, OHio, USA

File Name	Drawn By: MLC
C:\	Approved By:
Scale	Title Two BK-mini-LFE per seat, 6 seats wired to one amp channel
Date	Drawing Number
05/04/2023	



Two, 3 seat groups
wired in series, total
Impedance to amp = 2.66 ohm

STEP 2

Wiring seats into groups

