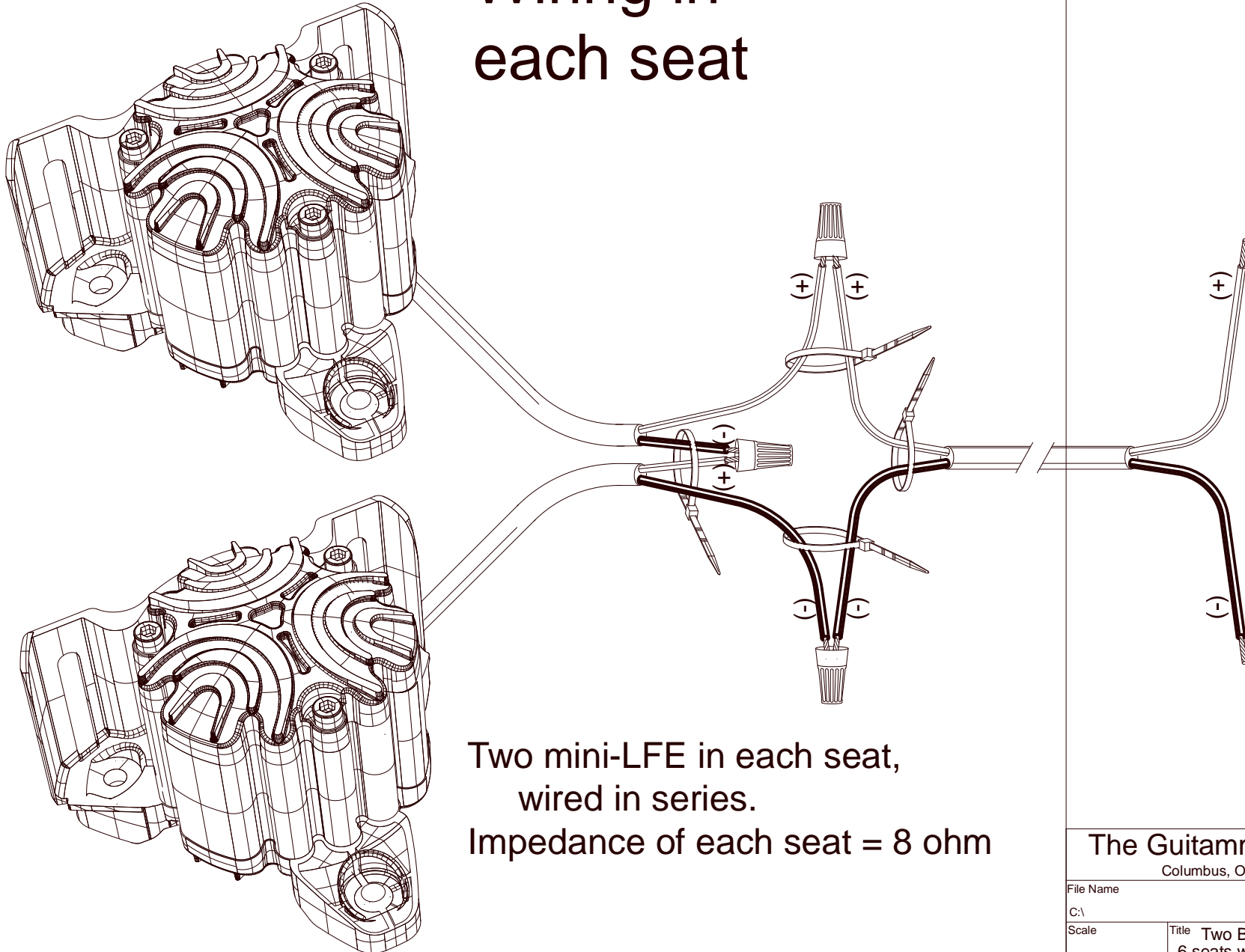


STEP 1

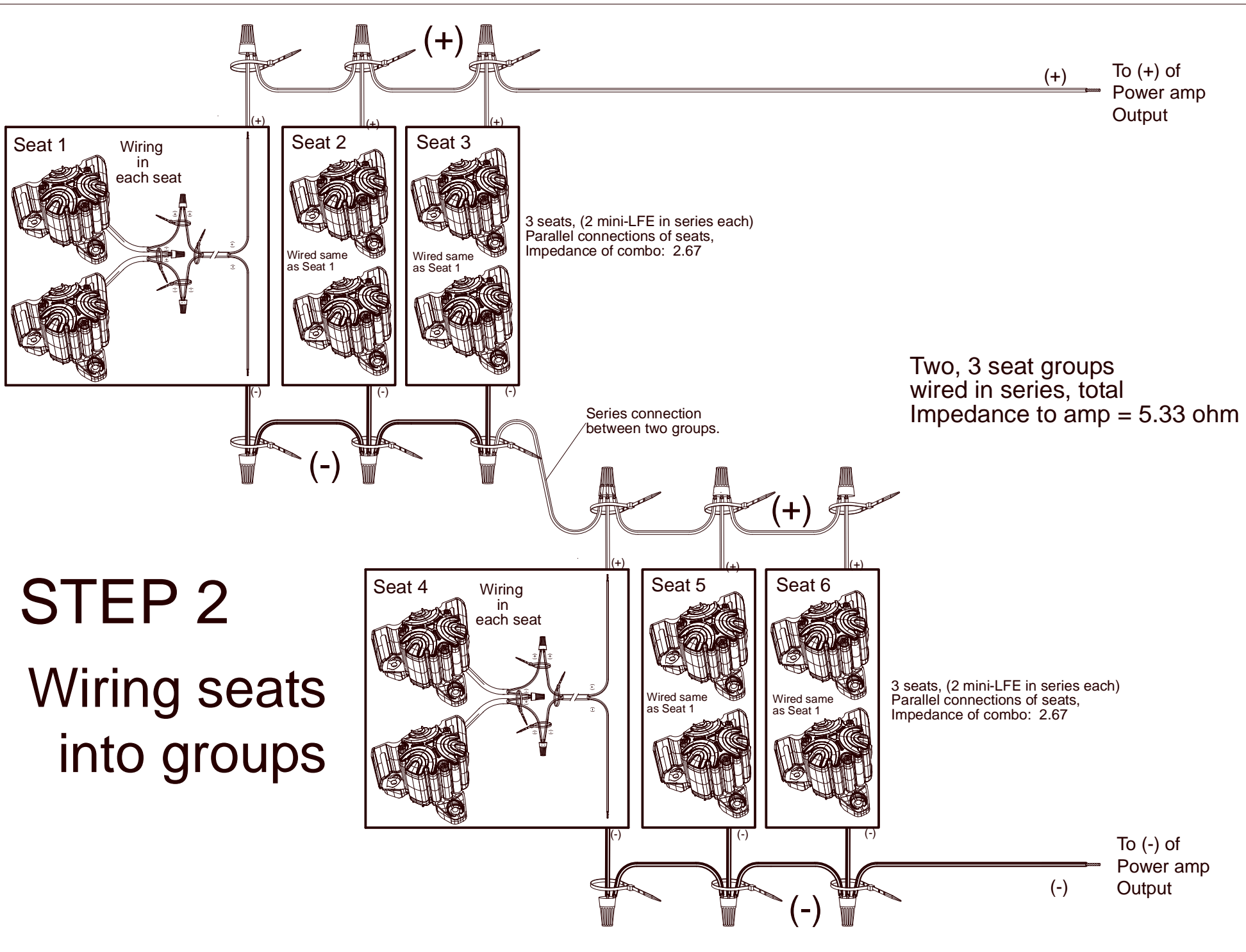
Wiring in each seat



Two mini-LFE in each seat,
wired in series.
Impedance of each seat = 8 ohm

The Guitammer Company
Columbus, OHio, USA

File Name	Drawn By: MLC
C:\	Approved By:
Scale	Title Two BK-mini-LFE per seat, 6 seats wired to one amp channel
Date	Drawing Number
05/03/2023	



STEP 2

Wiring seats into groups

3 seats, (2 mini-LFE in series each)
Parallel connections of seats,
Impedance of combo: 2.67

Two, 3 seat groups
wired in series, total
Impedance to amp = 5.33 ohm

3 seats, (2 mini-LFE in series each)
Parallel connections of seats,
Impedance of combo: 2.67

Series connection
between two groups.

(+) To (+) of
Power amp
Output

To (-) of
Power amp
Output