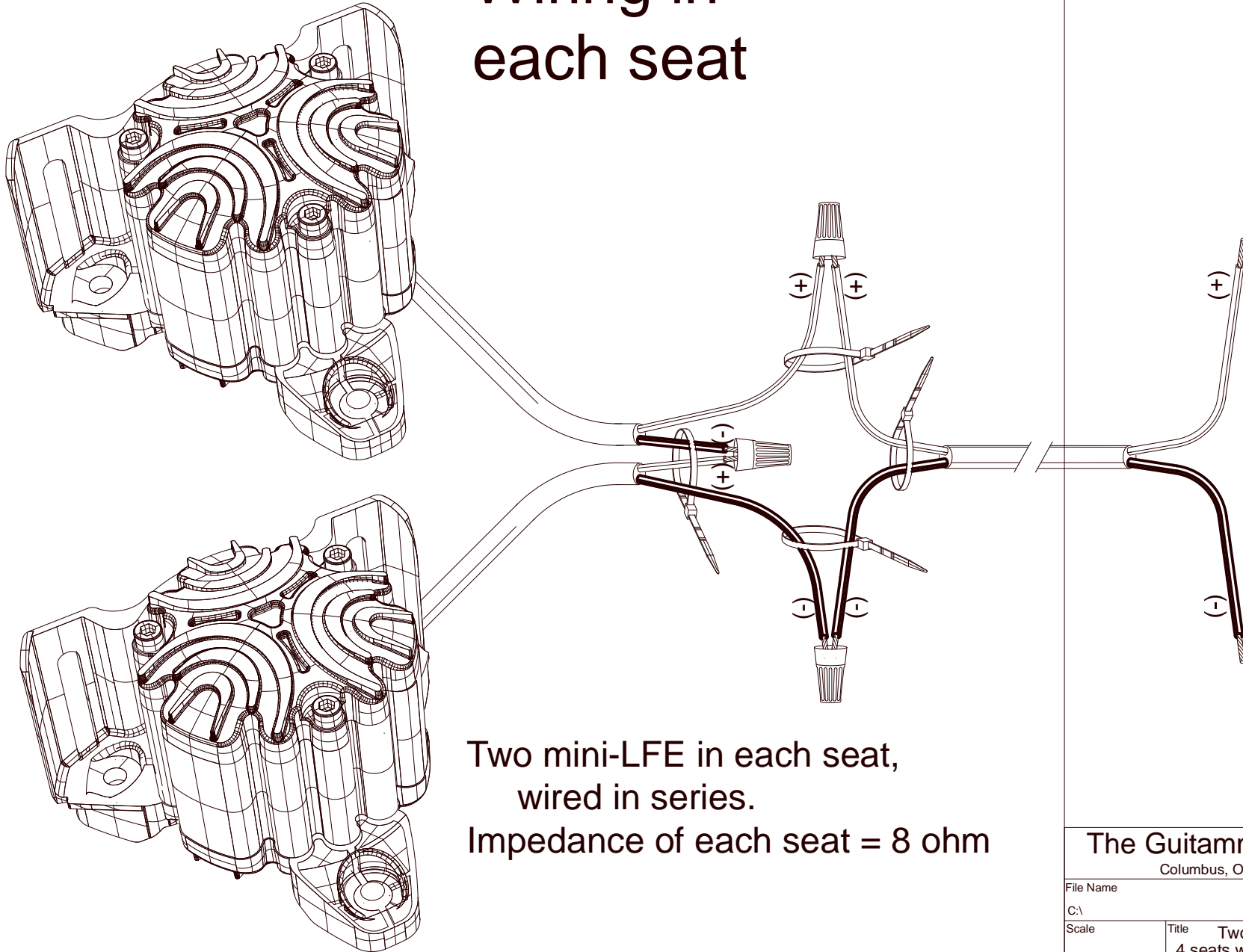


# STEP 1

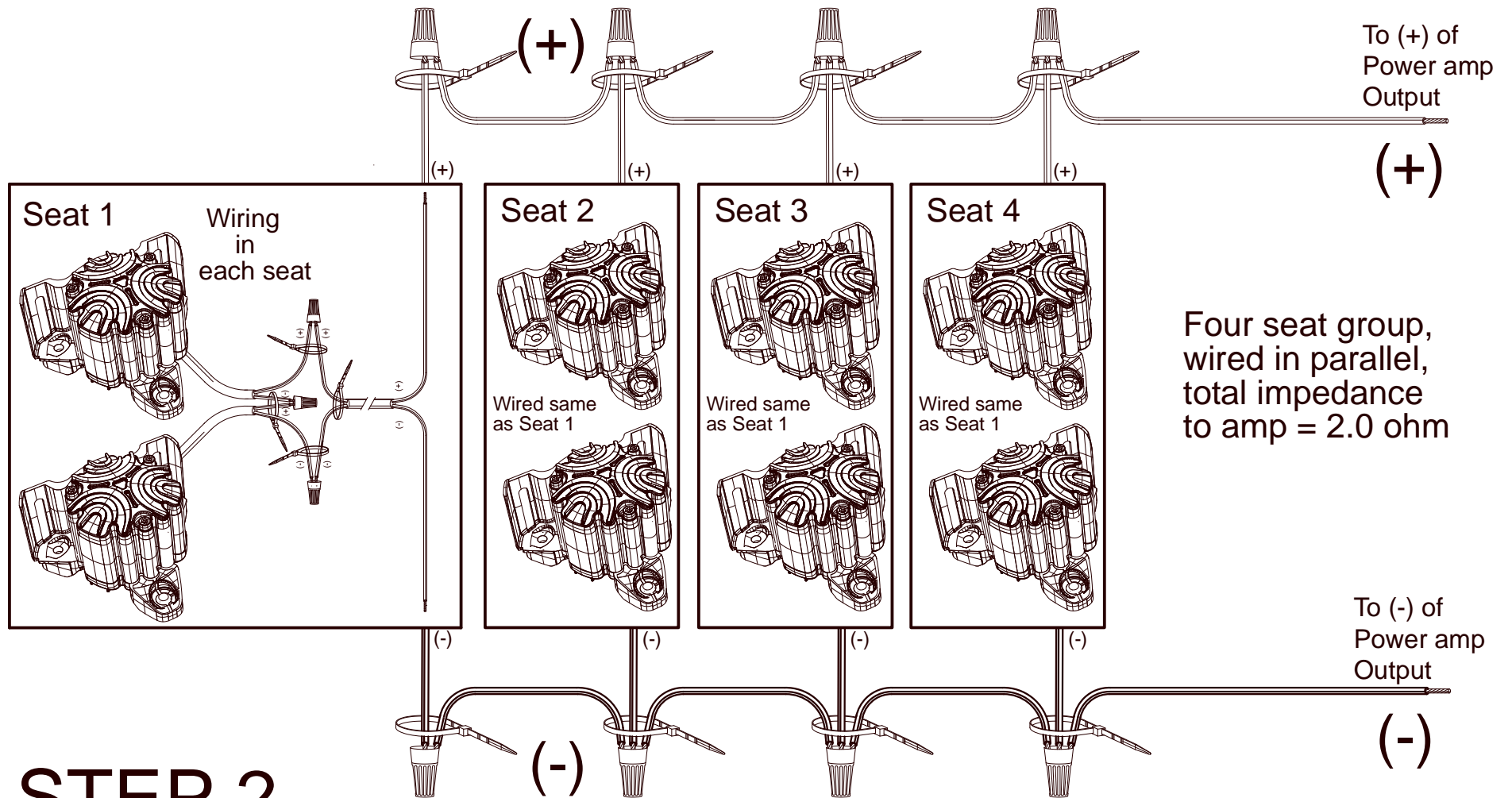
## Wiring in each seat



Two mini-LFE in each seat,  
wired in series.  
Impedance of each seat = 8 ohm

The Guitammer Company  
Columbus, OHio, USA

File Name	Drawn By: MLC
C:\	Approved By:
Scale	Title Two BK-mini-LFE per seat, 4 seats wired to one amp channel
Date	Drawing Number
09/15/2023	



## STEP 2

Wiring seats into groups