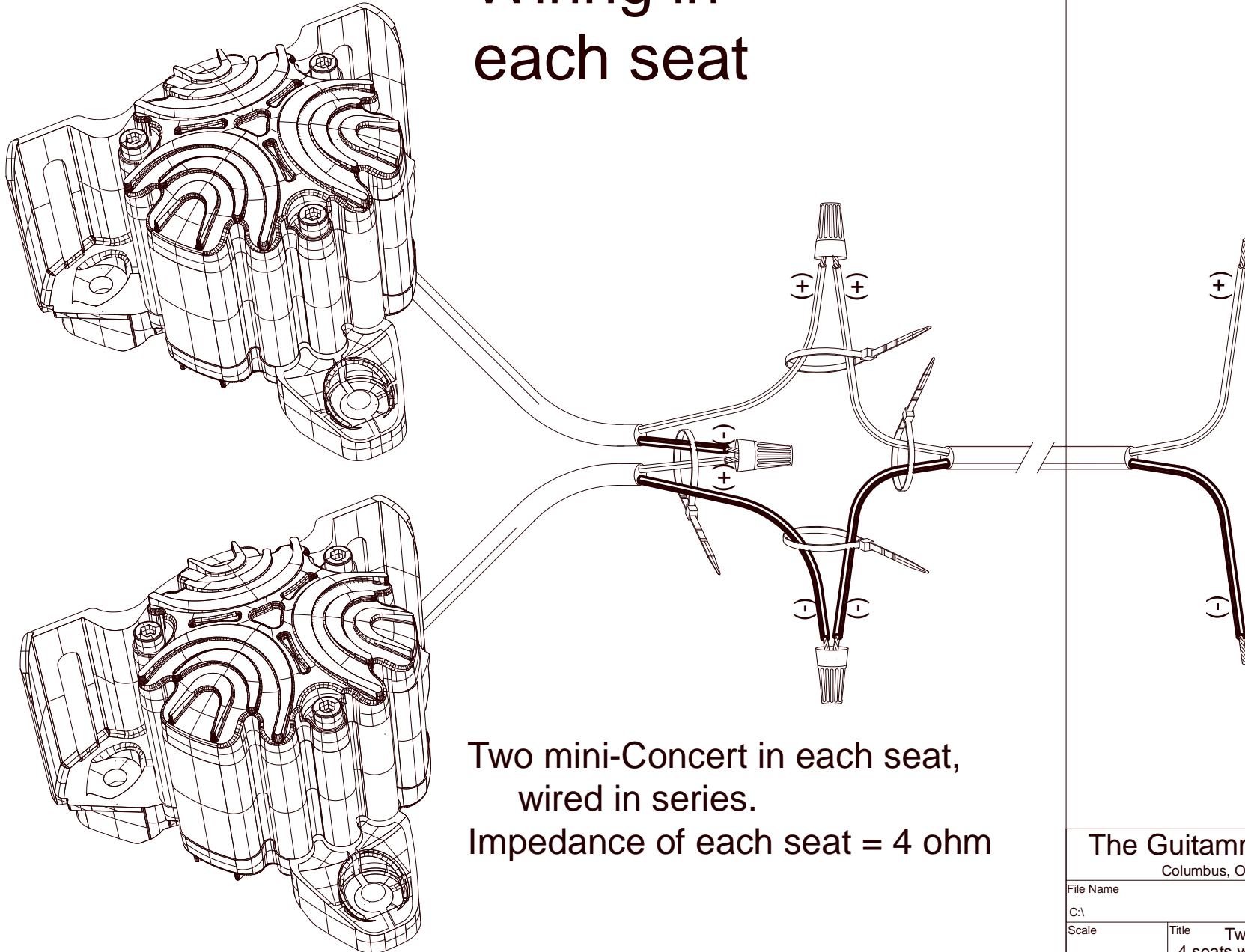


STEP 1

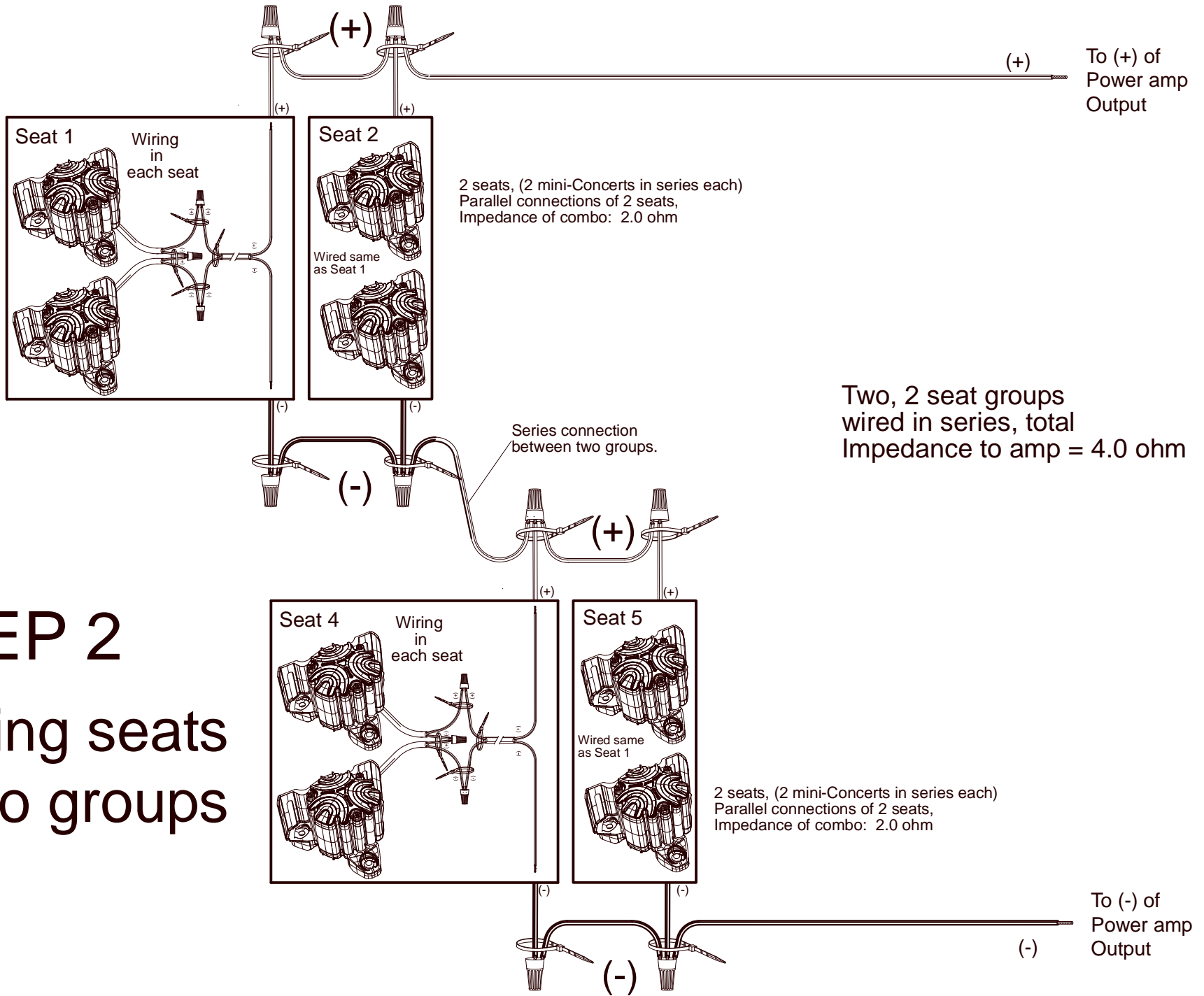
Wiring in each seat



Two mini-Concert in each seat,
wired in series.
Impedance of each seat = 4 ohm

The Guitammer Company
Columbus, OHio, USA

File Name	Drawn By: MLC
C:\	Approved By:
Scale	Title Two BK-mini-CT per seat, 4 seats wired to one amp channel
Date	Drawing Number
09/15/2023	



STEP 2

Wiring seats into groups