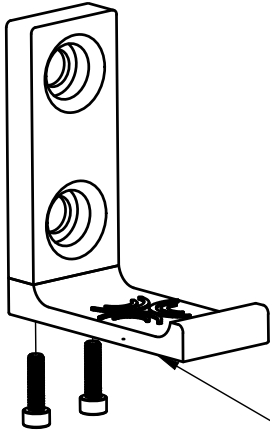


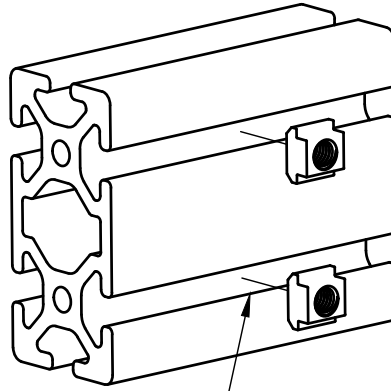


ButtKicker® Headphone Holder Bracket for Aluminum Extrusion Rigs SKU: BK-HPBK

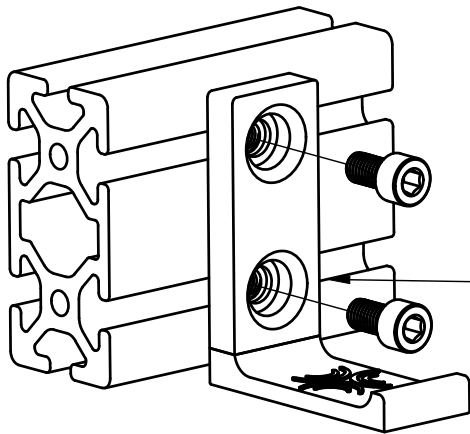
Installation instructions below. Holder limited to a maximum of 5lbs of weight.



1. Attach Headphone Holder upper and lower halves using 2 M4 x 15mm Bolts



2. Place 2 M8 Slot Nuts into 40 Series Extrusion



3. Attach Headphone Holder using 2 M8 x 12mm Bolts

Limited Lifetime Warranty

The Guitammer Company provides a Limited Lifetime Warranty [Warranty] that this Sim Racing Accessory [Accessory] will be free from defects in materials and manufacture affecting the quality and function of the Accessory provided the Accessory is used in a manner consistent with its purpose. This Warranty applies to the original purchaser and is non-transferable. Abuse, alteration, accidental damage due to mishandling, misuse, accidents, lack of reasonable care, natural disasters, or minor cosmetic defects not affecting the Accessory's functionality are excluded from the Warranty. The Guitammer Company reserves the right to inspect the claimed defective item(s) and verify warranty coverage. The Warranty shall be limited to replacement to the original purchaser for the identical or substantially similar Accessory purchased. This Warranty is in lieu of all other warranties, expressed or implied. The Guitammer Company shall not be liable for incidental or consequential damages. This Warranty does not apply to any other product manufactured or offered for sale by The Guitammer Company.