

QUICK START GUIDE

**Thank you for purchasing the
ButtKicker LFE Kit.**

This guide will help you quickly set up your new ButtKicker® system.

Contents:



[1] BKA1000-4A
ButtKicker Power Amplifier



[1] BK-LFE
ButtKicker LFE (4 ohm)



[1] BK-CMAK
ButtKicker Chair/Couch
Mounting Accessory Kit



[1] ButtKicker LFE Cable Kit

ButtKicker[®]
Feel what you've been missing...

START HERE

1. Attach the ButtKicker LFE to the CMAK mounting plate

Refer to main diagram and Figure 1

- Place the ButtKicker on the CMAK mounting plate on the side opposite the rubber feet.
- Insert the carriage bolts up through the square holes and secure them in place with the star washers and acorn nuts using the supplied wrench to make sure the bolts are tight.
- Using the spade connectors, connect the supplied speaker wire to the top and bottom speaker terminals on the ButtKicker.

2. Position the CMAK mounting plate under your furniture

Refer to main diagram, Figure 1 and Figure 2

- If possible, put the CMAK mounting plate under a leg at the center of the furniture. If there isn't a leg at the center, place it under one of the corner legs.
- Sometimes, there is room to hide the ButtKicker on the inside of the furniture. You may need to pull back the dust cover to provide access to the inside of the furniture.
- It is very important that the other legs of the furniture are supported using the supplied rubber isolators. If possible, these should be screwed into the legs using the supplied wood screws. However, if needed, they can simply be placed under the other legs of the furniture.

3. Set up the BKA1000-4A Power Amplifier

Refer to Figure 3

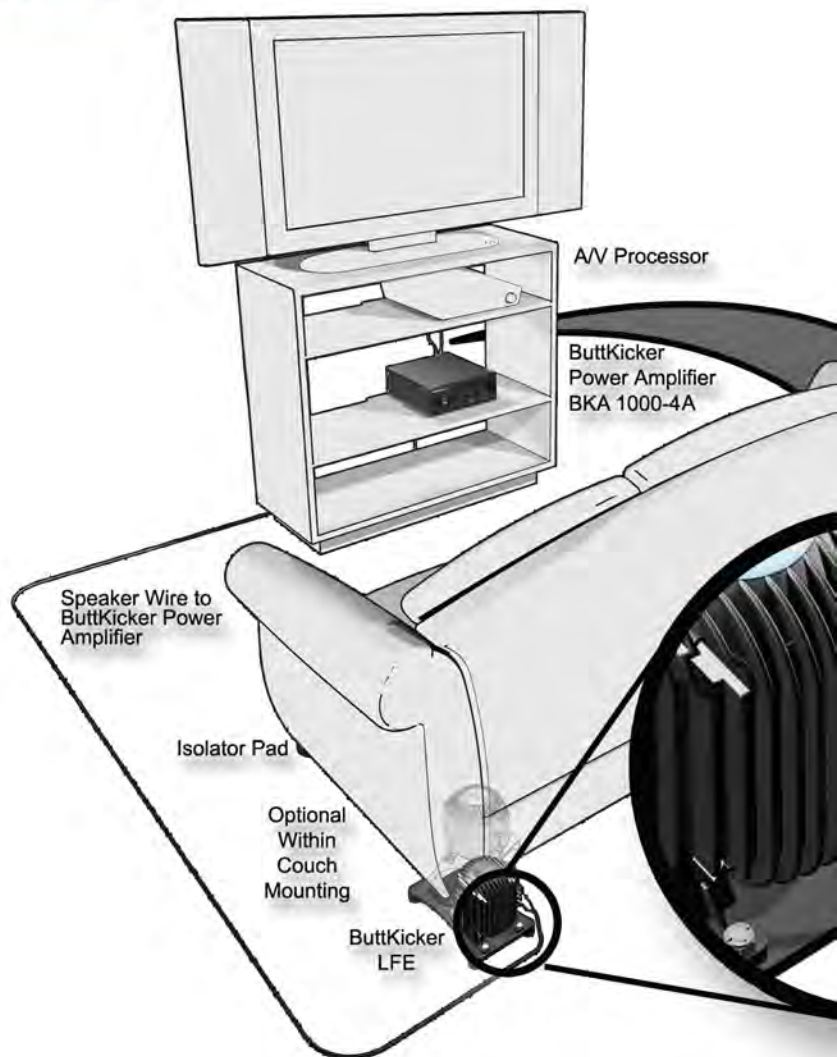
- Using the banana plugs, connect the speaker wire from the ButtKicker to the output terminal on the amplifier.
- Plug one end of the RCA audio cable into the subwoofer output of your A/V processor and the other end into the RCA line level input on the ButtKicker Power Amplifier.

Note: The supplied RCA "Y" connector or "Speaker Level Interface Adaptor" may be used to enable the use of both a subwoofer and the ButtKicker with your A/V processor or to connect to an A/V processor that does not have a RCA subwoofer output. Use either the "Y" connector or the "Speaker Level Interface Adaptor" but not both.

- Plug the amplifier power cord into the power terminal on the back of the amplifier and then into an electrical outlet.
- Make sure the volume control knob (largest knob on the front panel) on the amplifier is turned all the way down (to the left) and then turn the amplifier on.

4. System Adjustment

- Turn on the rest of your home theater; play a movie or music track with some deep low frequency material at normal listening volumes.
- Next slowly increase the volume control on the ButtKicker Power Amplifier until your desired level of intensity for the ButtKickers is reached.
- Invite your friends and family to watch a movie or listen to music and ENJOY!



Optional Installations

Refer to the "Optional Installations" on the reverse side for two other installation con

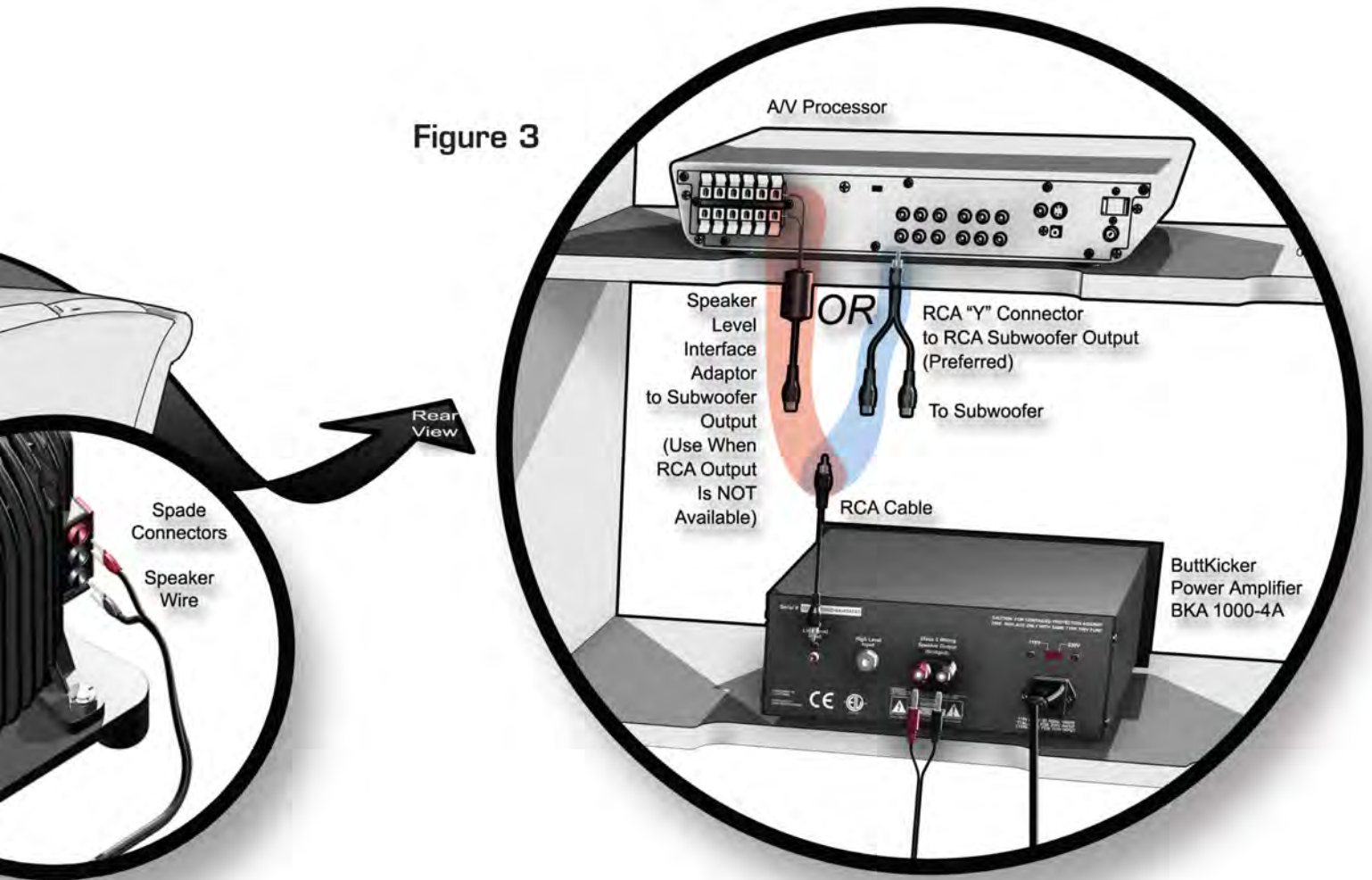
Figure 1



Figure 2

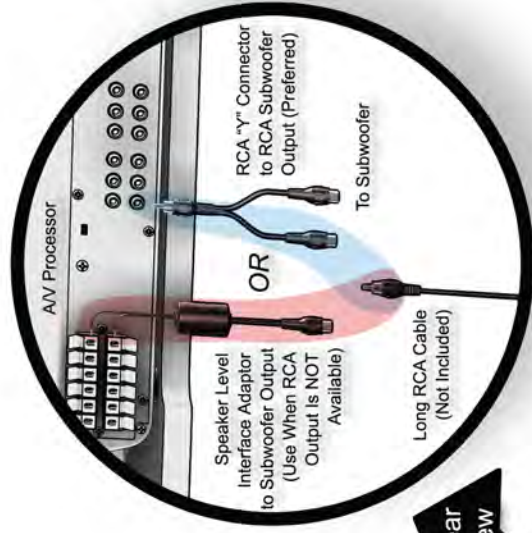


Figure 3

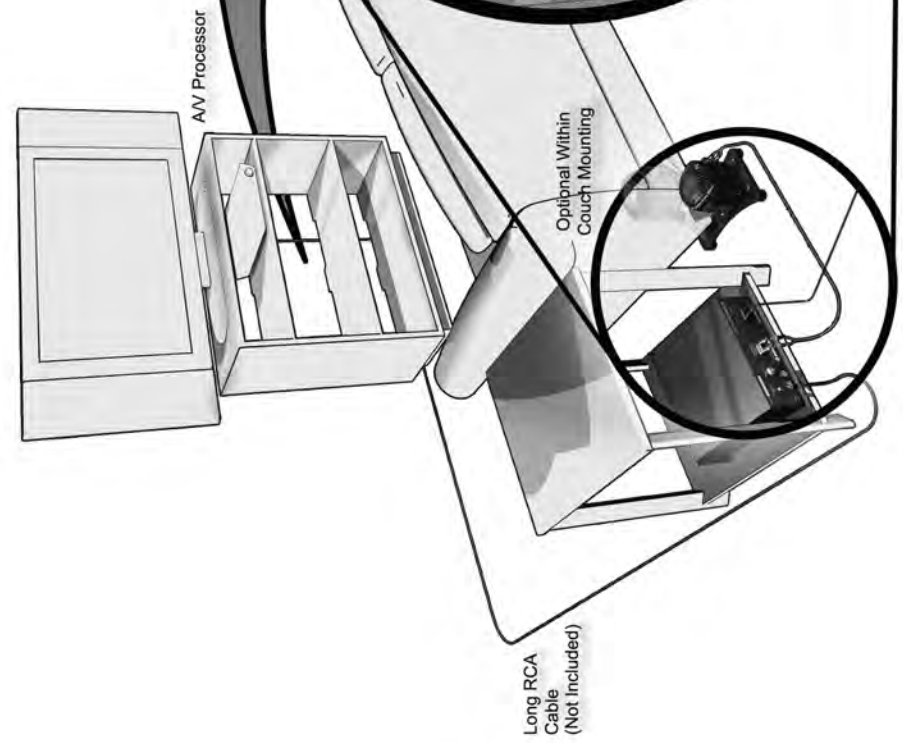
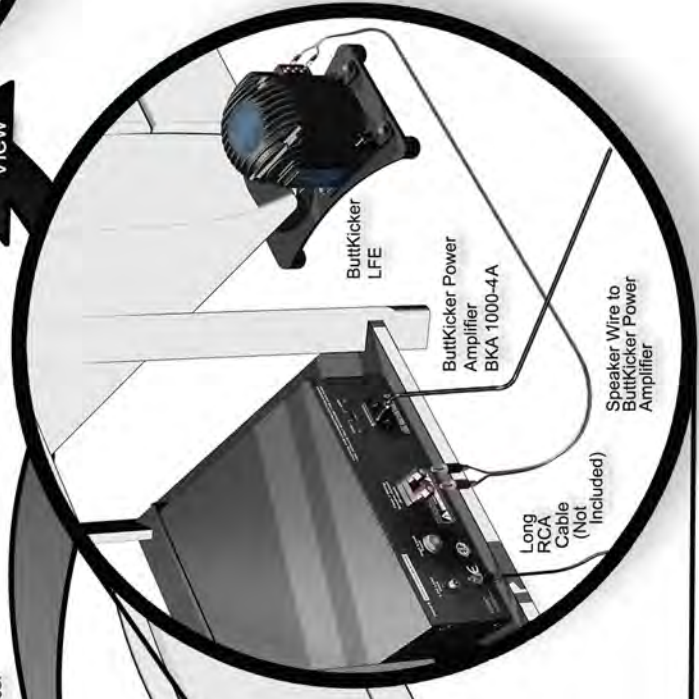


BUTTKICKER LFE KIT STANDARD INSTALLATION

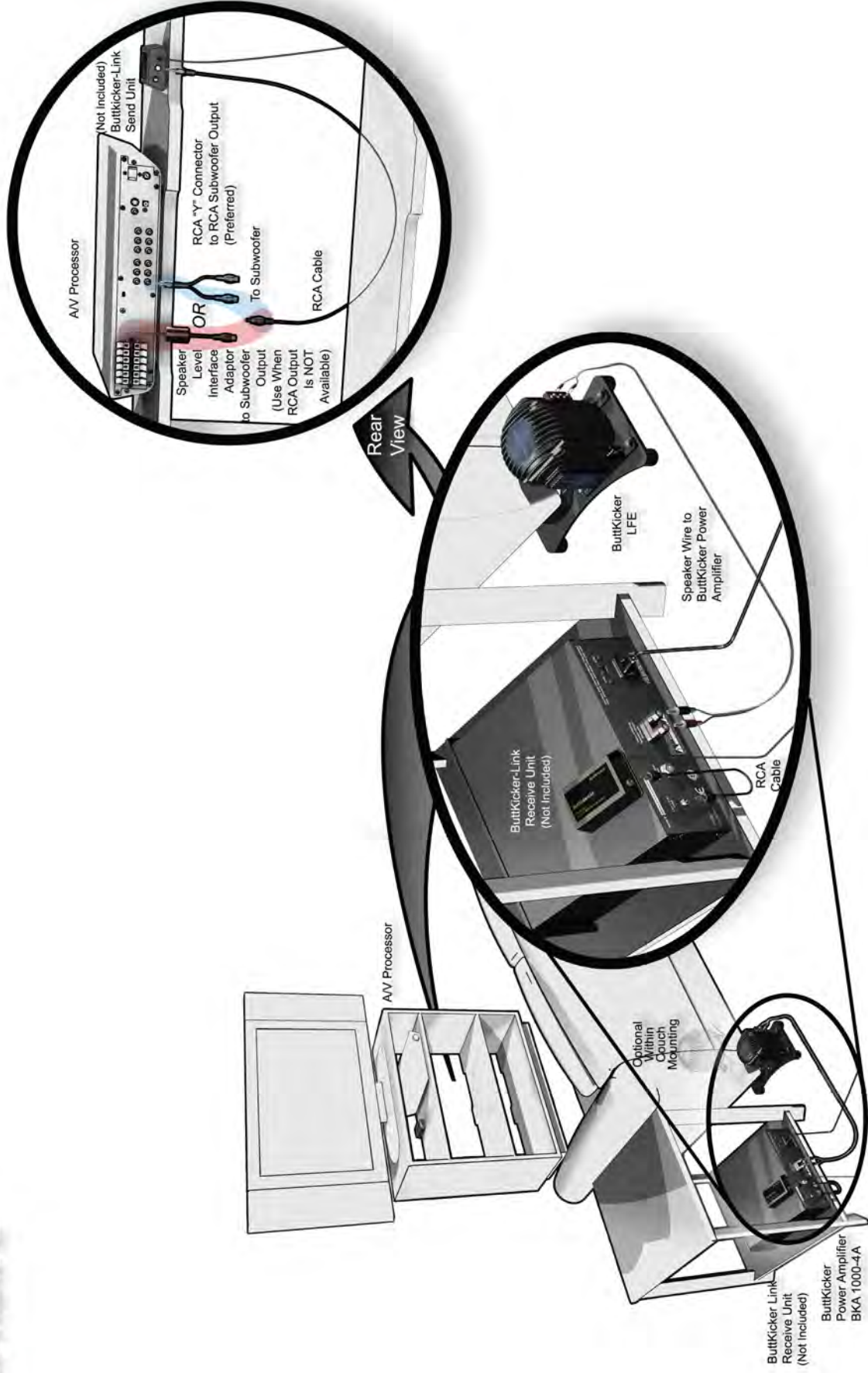
OPTION 1



Rear View



OPTION 2



ButtKicker LFE Kit

**OPTIONAL INSTALLATIONS:
ALTERNATIVE AMPLIFIER LOCATION**

ButtKicker
Feel what you've been missing...



If you have questions or need technical support, please contact The Guitammer Company, not the store where you purchased the product.

The Guitammer Company Inc.
1-888-676-2828
8:30 AM – 5:30 PM EST

Email us at:
support@guitammer.com

Visit us on the web at:
www.thebuttkicker.com

FAQ's

- Q.** How should I set the switches and knobs on the front of the ButtKicker Power Amplifier?
- A.** For most theater setups and applications, turn **off** the low cut-off, turn **on** the high cut-off, and turn the frequency knob to around 80 Hz. Adjust the volume knob to the desired level.
- Q.** I get a "buzz" or "hum" from my speakers now. It's always there, even if the sound is turned all the way down. What's my problem?
- A.** Your home theater system has developed a "Ground Loop" which is caused by having more than one ground connection in the system. Most likely, your cable TV combined with the ground of the ButtKicker Power Amplifier power cord is causing interference in the audio system. In fact, any other electronic device with a grounded power plug might cause the problem as well.
- You can eliminate the problem in your system by adding a "Ground Loop Isolator", available at numerous places, such as Radio Shack [item #270-054]. Plug one end of the ground loop isolator into the RCA input on the back of the ButtKicker Power Amplifier and then plug the RCA cable coming from your A/V processor into the other end of the ground loop isolator.
- Q.** I have the ButtKicker Power Amplifier turned up all the way, but I want even more intensity. How do I do this?
- A.** Most A/V processors have an option to increase the output from the subwoofer channel. Turn up this output to get more audio signal to the ButtKicker Power Amplifier. This may require you to turn down the volume of your subwoofer so that it is balanced with the rest of the system.
- Q.** My floor is carpeted. Do I really need to use the rubber isolators?
- A.** Yes! The isolators will support and level your furniture; they will maximize the effect of the ButtKicker; and they will make sure that the effect is contained within the furniture.

For more information, refer to the instructions included with each product.

Visit www.thebuttkicker.com for more FAQ's and details about other ButtKicker products and accessories.



THE GUITAMMER COMPANY INC.
...leaders in low frequency sound...

ButtKicker
Feel what you've been missing...