

ECLIPSE

LIGHTS

Instruction Manual



Item Type- Chandelier

Model-EC-1080

000001

sales@eclipselights.au

www.eclipselights.au



Thank you for purchasing your Eclipse lights product. Please read all instructions carefully before assembly and use.

IMPORTANT SAFEGUARDS

READ THESE INSTRUCTIONS CAREFULLY BEFORE INSTALLING OR USING THE PRODUCT.
KEEP THE INSTRUCTIONS HANDY FOR FUTURE REFERENCE.

SAFETY

Installation of fans must follow S.A.A. standards and meet local Authority regulations. A fully qualified and licensed electrician lawfully MUST carry out installation.

Means for disconnection must be incorporated in the fixed wiring in accordance with wiring rules.

WARNING: BE SURE THE ELECTRICITY TO THE WIRES YOU ARE WORKING ON IS SHUT OFF; EITHER THE FUSE IS REMOVED OR THE CIRCUIT BREAKER IS TURNED OFF. TURNING THE POWER OFF USING THE LIGHT SWITCH IS NOT SUFFICIENT TO PREVENT ELECTRICAL SHOCK.

NOTE: The important safeguards and instructions appearing in this manual are not meant to cover all possible conditions or situations that may occur. It must be understood that common sense, caution, and care, are factors which cannot be built into any product. These factors must be supplied by the licensed electrician(s) installing this unit.

Installation Requirements

- This fitting must be assembled and installed by a licensed electrician.
- All wiring and installation of the fitting must adhere to local and national wiring rules. eg. AS/NZS 3000:2007/Amendment 2:2012 Electrical installations.
- Do not exceed the maximum wattage rating.
- Select a suitable location for installation:
 - This fitting is suitable for indoor use only.
 - The mounting point must support 2 times the weight of the fitting.
 - Ensure the fitting is not installed in direct line of an air vent/system.
 - If installing a fitting in an area prone to moisture, ensure that the area is well ventilated and an appropriately rated exhaust fan is used if required. Damage or corrosion caused by moisture is not a product fault, and as such is not covered under warranty.
- Take care not to pull any electrical wires during unpacking as this may damage the connection.
- Lay out all the components on a smooth surface and make sure there are no components missing before assembling.
- If parts are missing, return the complete product to the place of purchase for inspection or replacement.
- Check whether the fitting has been damaged during transport. Do not operate/install any product which appears damaged in any way. Return the complete product to the place of purchase for inspection, repair or replacement.
- Ensure power to the circuit you are working on has been switched OFF before commencing any electrical work.
- **TOOLS REQUIRED (not included):** Ladder, Phillips Head & Flat Blade Screwdrivers, Wire Cutter/Stripper, Pliers & Electrical Tape.


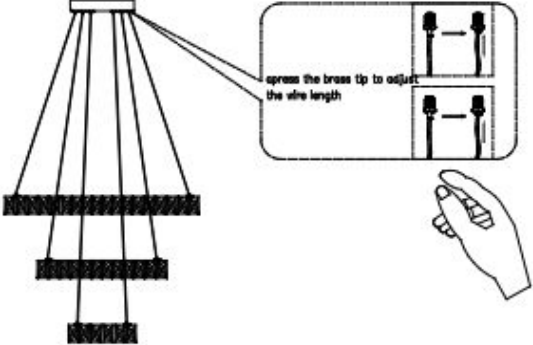
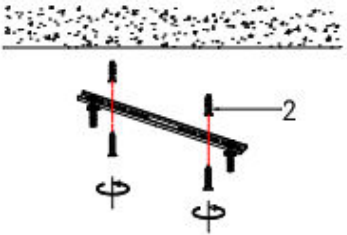
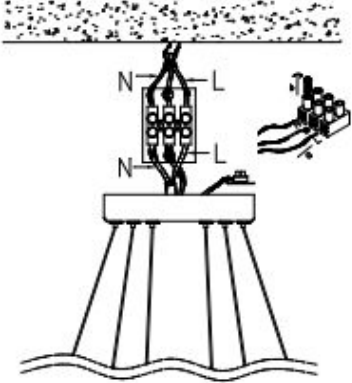

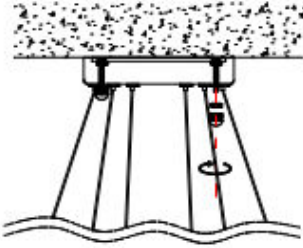
Be sure to read these installation instructions and review the diagrams thoroughly before installation.

Installation Directions

Be sure to read these installation instructions and review the diagrams thoroughly before installation.

NOTE: Due to the size and weight of the fitting, two people may be required to lift up the fitting during installation. Remove all packaging material from the fitting and be careful not to throw away accessories that may be hidden within the packaging material. If assembly is required, place the fitting on a smooth non-scratch surface.

Model: EC-1080

 <p>1: Tighten the screws</p>	 <p>5: Screw the base box to the ceiling and adjust the wire length.</p>
 <p>2: Screw plate to the ceiling</p>	
 <p>3: Before wire connection, turn the power OFF and double-check that no electricity is going to the fixture</p>	<p>Be careful & avoid scratch</p> 
 <p>4: Lock the chandelier to the plate by screws.</p>	

Safety Tips

- Always ensure the power is OFF and the fitting has cooled down before performing any maintenance, cleaning, changing the globe or making any adjustment to the fitting.
- To avoid injury or damage to the fitting, ensure that power leads and screws are secure before connecting the power.
- Select a suitable location away from liquids and hazards.
- Ensure that the fitting does not come in contact with corrosive chemicals/solvents or abrasive cleaners etc.
- To clean, wipe with a damp clean cloth. Do NOT soak or immerse the product in water or other liquids.

Eclipse lights: 24 MONTHS IN HOME WARRANTY STATEMENT*

*Eclipse lights warrants this product for a period of 24 months "In Home" warranty from the original date of purchase for residential situations, subject to the following statements:

Important notice: Eclipse lights warrants this product for 24 months with "In Home" warranty. The warranty is from date of purchase, not the date of installation. Eclipse lights only warrants the Eclipse lights product against faulty workmanship and subject to the conditions and provisions set out below:

- 1) The 24 months "In Home" warranty applies only if the product was purchased in Australia and does not transfer from the original purchaser. All Eclipse lights replaced under warranty are only warranted for the balance of the warranty period.
- 2) The 24 months "In Home" warranty does not extend to the Eclipse lights Product accessories such as remote controller kits. Globes are not covered under warranty.
- 3) Any changes to plated and/or painted finishes due to climate conditions or other circumstances deemed to be beyond the control of Eclipse lights or their authorised agent are not covered under this warranty. Outdoor use of Eclipse lights products requires minimum rating of IP65 or higher to be covered under this warranty.

PURCHASERS PLEASE NOTE:

- 4) Any claim made in relation to this warranty is solely limited to the cost of replacement of the product, parts and labour of the authorised service agent approved by Eclipse lights. No parts/products are to be disposed of prior to the Service Agents "In Home" warranty visit. No acceptance of other liability for incidental or consequential damage is covered. Eclipse lights does not cover traveling costs incurred by service agents where service is requested by the purchaser outside of the Eclipse lights service network. The Eclipse lights service network is defined at our discretion, yet is limited by the boundary of the city in which you live. Travel outside of the city limits by the Eclipse lights authorised service agent will incur commercial costs to be paid for by the purchaser at a rate calculated by the number of kilometers travelled beyond the city limits. Any service required outside of the service network will be provided in the following manner.
Per warranty claim, a full replacement will be sent to the customer's residence and a maximum of \$80AUD plus GST plus freight will be covered by Eclipse lights. All other costs over and above the \$80AUD, including but not limited to, labour and travel costs are to be paid for by the purchaser. Please Note: it is the responsibility of the purchaser to contact Eclipse lights customer service prior to any electrician leaving the job site if any problems occur. Any installing electrician costs and/or fees invoiced to the customer prior to the customer contacting Eclipse lights to lodge a warranty application will not be covered by Eclipse lights.
- 5) This warranty becomes void if the product was not installed as per the instruction manual by a qualified and licensed electrician. In addition, this warranty will be considered void if any, or all, of the following has occurred: tampering with the product, product damage, repair by non-qualified electrician, becoming faulty due to improper use, normal wear and tear, accident damage, product abuse, and/or failure to use the product in accordance with the instructions relating to the installation.
- 6) This product is only covered by this warranty for a period of 90 days when used in a commercial application. Any changes in climate conditions deemed by Eclipse lights to be beyond reasonable control are not covered under this warranty. Any damage caused to walls, ceilings, furniture, carpet and/or any consequential damage caused within the establishment where this Eclipse lights Product is being installed, is not covered under this warranty.
- 7) Repairs carried out by the Eclipse lights approved service agent due to incorrect installation will be charged to the purchaser at the time of service. This warranty is limited to the product being repaired/replaced only by an approved Eclipse lights service agent and does not include costs where the original installation was not carried out per the instruction manual. The product warranty is limited to defects in workmanship only and does not apply to loss or damage caused by abnormal or excessive force of any kind from internal or external sources.
- 8) Eclipse lights reserves the right to change or amend any or all parts of this warranty statement at any time and without notice.
- 9) The costs associated with the hire of extension ladders and scaffolding to service lighting products installed on ceilings higher than 3 meters from the ground, will not be covered by this warranty. These costs will be borne by the customer not Eclipse lights.

NOTE: Eclipse lights assumes that installation of Eclipse lights product is carried out as this instruction manual has aforementioned. It is the purchaser's responsibility to ensure that the installation of Eclipse lights product has been carried out by a certified electrician as per the guidelines of this instruction manual. As it is the purchaser's responsibility to check the stability and proper installation of the Eclipse lights Product, the purchaser's electrician should check and identify any problems prior to finalising installation.

Eclipse lights only covers manufacturing faults associated with Eclipse lights product per the above warranty provisions. The warranty will not cover the entry of foreign matter or influences to the product including, but not limited to: liquid, moisture, dirt, dust, electrical fluctuations, or any additional problems encountered if a Eclipse lights product is used in an outdoor environment. Power supply faults or influences resulting in damage to this product are not covered under this warranty. The warranty does not cover any loss, damage or delay directly or indirectly caused by any malfunction of or defect of or failure of the product other than stated in this warranty.

NOTE: Stainless steel requires regular cleaning; "Tea Staining" is a common occurrence with all types of stainless steel. This is not considered a fault of the product and is not covered under warranty.

IMPORTANT NOTICE: All claims for warranty must be accompanied with the following three documents:

- 1) Copy of the Installation Receipt OR Tax Invoice OR Certificate Of Compliance for the installation of the Eclipse lights product from the installing electrician. If one of these installation documents cannot be provided, we will only accept a typed and signed letter on a business letterhead from the installing electrician stating he/she installed the Eclipse lights product at your address along with a scanned copy of the electricians license. Please note that an email is not a sufficient installation document.
 - 2) Copy of the Purchase Receipt/store Tax Invoice for the Eclipse lights product.
 - 3) Copy of the completed warranty card, signed and dated. The warranty card is located after this warranty statement, or on the last page of your instruction manual. Please ensure that the purchaser's full name and contact details are clearly stated, in addition to the full nature of the fault.
- Upon receipt of the above mentioned documentation, Eclipse lights will issue a service call to fulfill the conditions of this warranty. It is the responsibility of the purchaser to keep the documents required for a warranty application for the duration of the "In Home" warranty period.

Customer Details

Surname..... Given Name.....

Address.....

Daytime Ph..... A/h Ph.....

Email.....

Warranty Details

Date of Purchase..... Installation Date.....

Product Description.....

Store..... Model No.....

Fault Description.....

.....

.....

.....

I, the Customer, hereby acknowledge that I have read and agree with the Eclipse lights warranty statement and the conditions found within regarding the warranty service and its limitations.

I, the Customer, acknowledge that Eclipse lights reserves the right to charge me, the Customer, \$80 plus GST plus the costs of any replacement parts or products (if any), in addition to the costs associated with shipping these parts to my location should the reported fault not be an actual manufacturing fault or malfunction. This will be assessed on a case by case basis by the authorised Eclipse lights Service Agent dispatched to my premises.

I, the Customer, acknowledge that I will be liable for this charge should the authorised Eclipse lights Service Agent determine this to be the case. Failure to pay warranty recovery charges issued by Eclipse lights will result in the termination of any remaining warranty, in addition to possible debt collection procedures.

I,, do hereby certify that I have read and comply with the aforementioned warranty conditions and agree to the conditions of this warranty claim.

Print Name:.....

Signature:.....

Date:.....