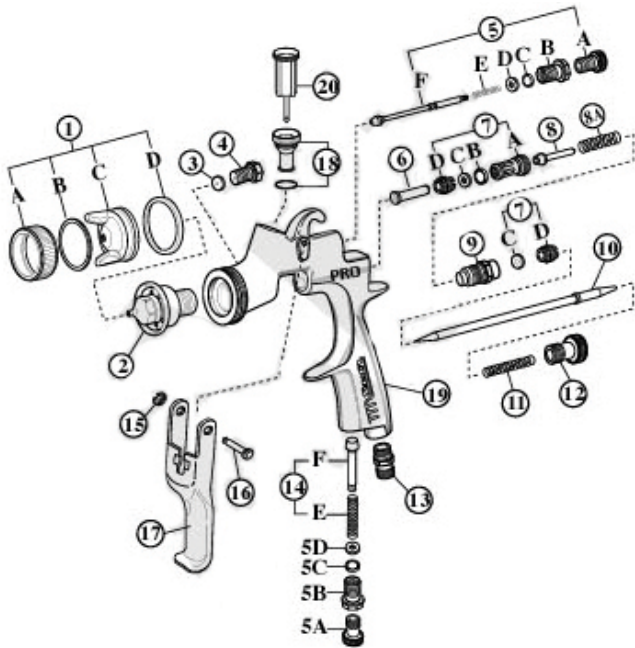


SMV4000F-142G

NEW CENTURY V3 PRO 4000 SPRAY GUN GRAVITY 1.4MM RED



<u>1</u>	XV3SMV1-14G	AIR CAP (1.4MM)
<u>2</u>	XV3SMV2-14	FLUID NOZZLE (1.4MM)
<u>3</u>	XNC-03N	NEEDLE PACKING
<u>4</u>	XNC-04N	PACKING SEAT
<u>5</u>	XV3-05G	SPREADER ADJ VALVE SET
<u>6</u>	XNC-06	AIR VALVE SHAFT
<u>7</u>	XNC-07	AIR VALVE KIT
<u>8</u>	XNC-08	AIR VALVE GENERAL
<u>8A</u>	XNC-08A	AIR VALVE SPRING
<u>9</u>	XNC-09	FLUID ADJ VALVE
<u>10</u>	XV310-14G	FLUID NEEDLE (1.4MM)
<u>11</u>	XNC-11	NEEDLE SPRING
<u>12</u>	XNC-12	FLUID ADJ KNOB
<u>13</u>	XNC-13	AIR INLET
<u>14</u>	XV3-14	AIR REGULATOR
<u>15</u>	XNC-15	CLIP
<u>16</u>	XNC-16	TRIGGER STUD
<u>17</u>	XNC-17	TRIGGER
<u>18</u>		FLUID JOINT
-	SA-NC	SERVICE KIT

COMPLETE SETUP

PRO SERIES - NEEDLE / NOZZLE / AIRCAP

XSUSMV14G SET UP SMV4000F-142G (1.4MM)