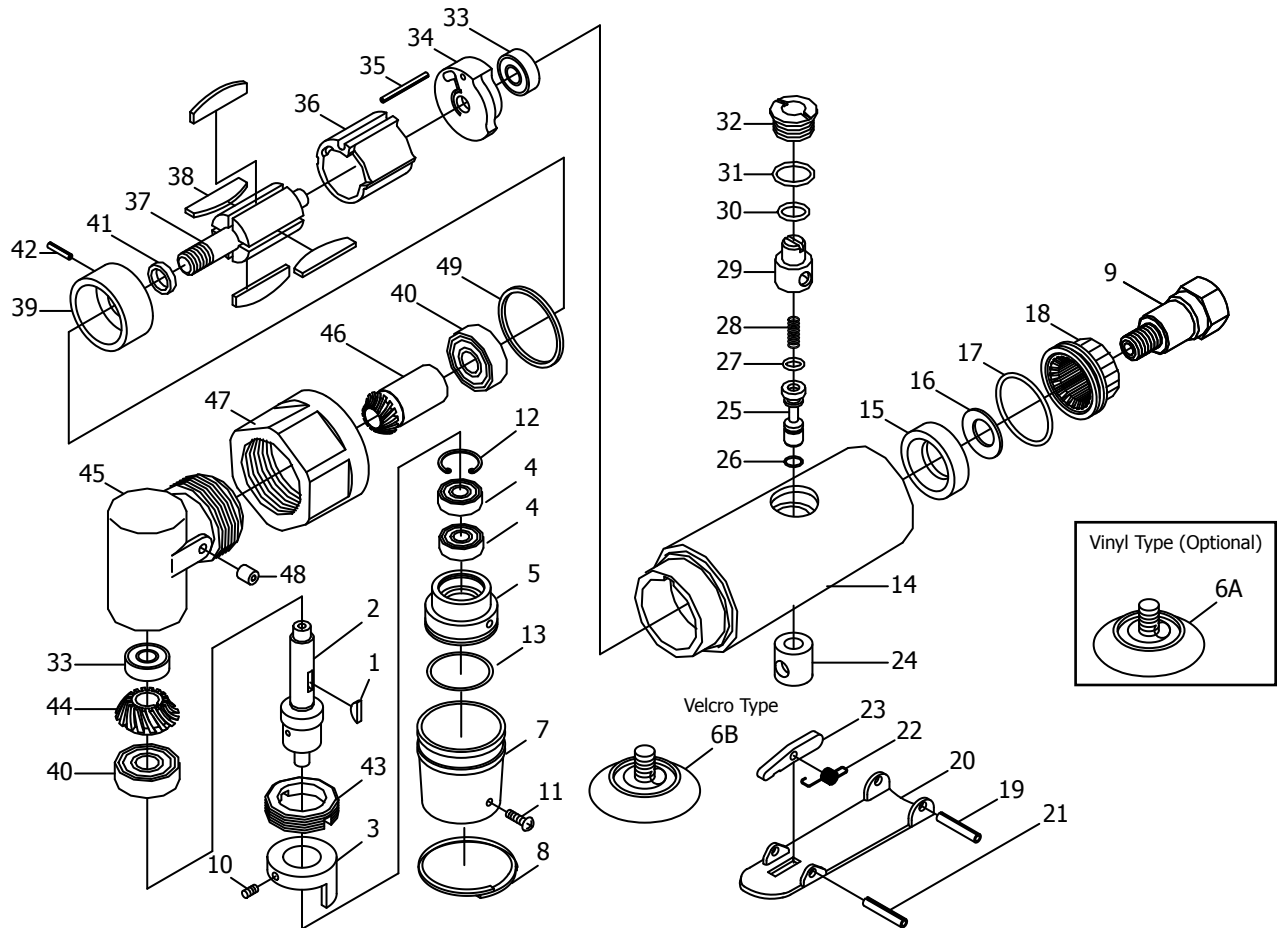


Technical Details	Speed	Pad	Orbit	Weight	Air Consumption	Noise (DB)	Uncertainty(DB)	Vibration	Air Inlet	Working Pressure
	RPM	mm/inch	mm/inch	kg/lb	LPM / CFM	LpA LwA	KpA KwA	m/s ²	inch	Bar / PSI
58006	7,500	30 (1-1/4)	3,0 (1/8)	0.6 (1.3)	70 (2.5)	72.2 83.2	3	<2.5	1/4	6.3 (90)



Index No.	Description	Quantity	Index No.	Description	Quantity	Index No.	Description	Quantity
1	Key	1	17	O-Ring	1	34	Rear End Plate	1
2	Spindle	1	18	Deflector	1	35	Cylinder Pin	1
3	Balance Weight	1	19	Lever Pin	1	36	Cylinder	1
4	Bearing	2	20	Throttle Lever	1	37	Rotor	1
5	Pad Seat	1	21	Spring Pin	1	38	Rotor Blade	4
6A	Vinyl Sanding Pad (optional)	1	22	Spring	1	39	Front End Plate	1
6B	Velcro Sanding Pad	1	23	Stop Rod	1	40	Ball Bearing (608)	2
7	Rubber Cover	1	24	Valve Bushing	1	41	Rotor Spacer	1
8	Clamp	1	25	Valve Stem	1	42	Pin	1
9	Air inlet	1	26	O-Ring	1	43	Clamp Nut	1
10	Screw	1	27	O-Ring	1	44	Bevel Gear	1
11	Screw (M4x0.7)	1	28	Spring	1	45	Angle Head Housing	1
12	Retainer Ring	1	29	Regulator	1	46	Pinion Gear	1
13	O-Ring	1	30	O-Ring	1	47	Housing Lock Ring	1
14	Motor Housing	1	31	O-Ring	1	48	Grease Fitting	1
15	Slicener	1	32	Valve Screw	1	49	Collar	1
16	Washer	1	33	Ball Bearing	2			