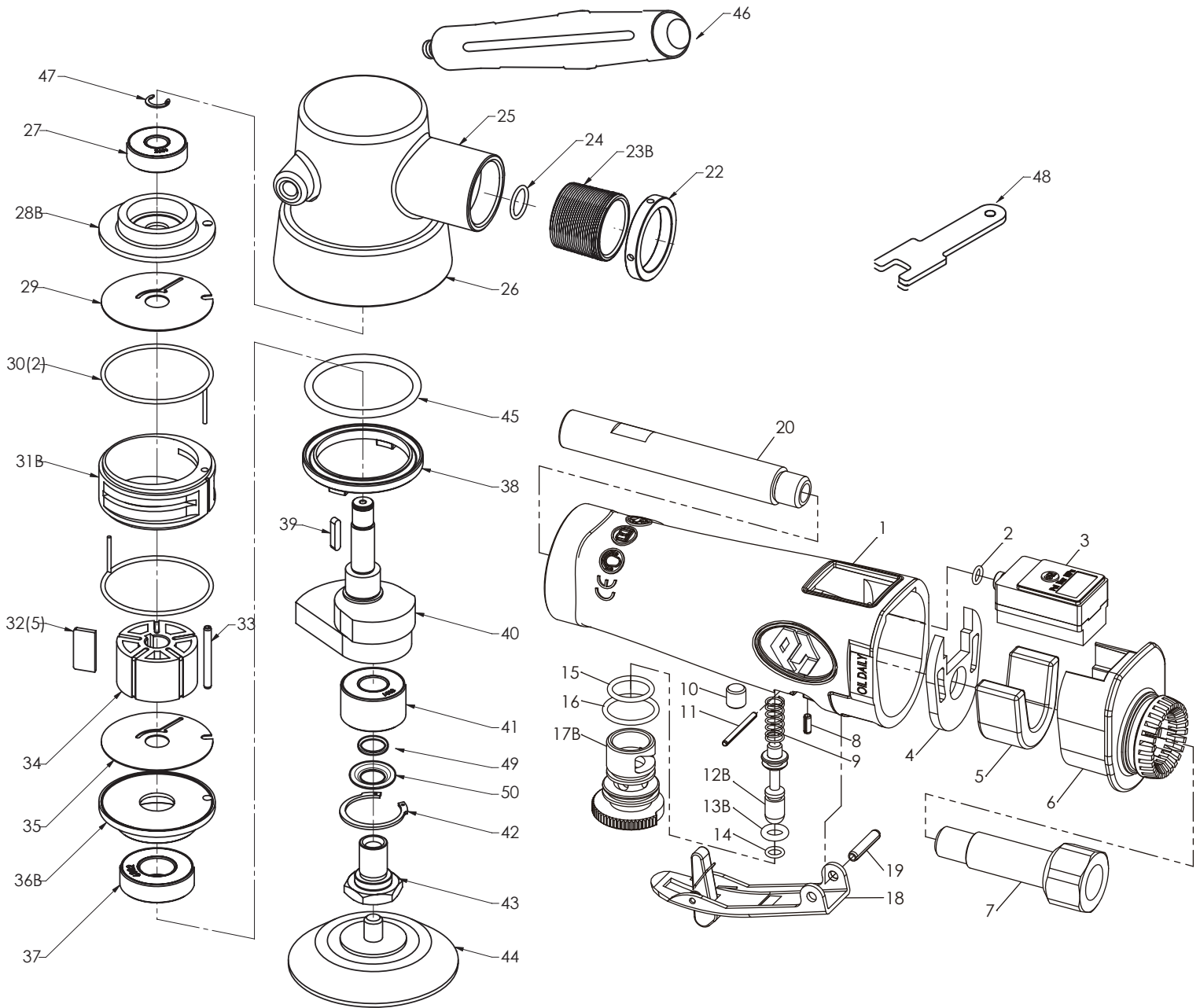


Technical Details	Speed	Pad	Power	Length	Weight	Air Consumption	Air Inlet	Noise (DB)	Uncertainty (DB)	Vibration	Working Pressure
	RPM	mm/inch	KW/HP	mm/inch	kg/lb	LPM / CFM	inch	LpA LwA	KpA KwA	m/s ²	Bar / PSI
50180	12,000	75 (3.0)	0.26 (0.35)	250 (9.8)	1.20 (2.6)	62 (2.2)	1/4	78.1 89.1	3	2.65	3.4 (50)



* Due to our continuous improvement, all specifications are subject to change without prior notice.

Index No.	Description	Quantity	Index No.	Description	Quantity	Index No.	Description	Quantity
1	Motor Housing, Incl;	1	17B	Regulator	1	34	Rotor	1
2	O-Ring Ø1 x IDØ4	1	18	Safety Trigger	1	35	Plate	1
3	Digital Gauge	1	19	Spring Pin Ø3 x 16mm	1	36B	Front End Plate	1
4	Gasket	1	20	Air Tube	1	37	Ball Bearing <6002>	1
5	Muffler	1	22	Fixed Ring	1	38	Lock Nut	1
6	Muffler Detector	1	23B	Lock Ring	1	39	Key 3 x 3 x 20mm	1
7	Air Inlet	1	24	O-Ring S12.5	1	40	Balancer	1
8	Spring Pin Ø2 x 6mm	1	25	Head	1	41	Ball Bearing <5001>	1
9	Spring	1	26	Head Cover	1	42	IRTW-28 Retaining Ring	1
10	M6 x 6mm Set Screw	1	27	Ball Bearing <629Z>	1	43	Spindle Nut	1
11	Spring Pin Ø1.5 x 20mm	1	28B	Rear End Plate	1	44	Backing Pad	1
12B	Valve Stem	1	29	Plate	1	45	O-Ring 43 x 3.5	1
13B	O-Ring P4	1	30	Special O-Ring	2	46	Side Handle	1
14	O-Ring Ø1 x IDØ4	1	31B	Cylinder	1	47	C-Ring	1
15	O-Ring S12.5	1	32	Blade	5	48	Wrench	1
16	O-Ring S15	1	33	Spring Pin Ø3 x 30mm	1	49	Seal	1
						50	Bearing Shield	1

Manual for Digital Pressure Gauge

Specifications

* Working Pressure Range :

Unit	Pressure Range	Resolution
PSI	0 ~ 99.8	0.2
BAR	0 ~ 6.88	0.02

- * Medium : Compressed Air
- * Voltage : 3V DC Battery
- * Battery Life : 1,500 hours (continuously)
- * Electric Current : < 1.0 mA
- * Operating Temperature : 0 ~ 45 °C (32 ~ 115 °F)
- * Storage Temperature : -10 ~ 75 °C (15 ~ 165 °F)
- * Accuracy : +(-) 2%



Operation

ON / OFF	<p>* Power On : Press the "ON" button.</p> <p>* Turn Off : Press the "ON" button, or the gauge will automatically shut off after the preset time.</p>
----------	---

Modification of Preset Function

*** Note : Please ensure to disconnect the air hose from the tool before modification.**

a	Function Selection	<p>* Turn on the gauge . Then, press the "ON" button for 3 seconds.</p> <p> Release "ON" → 3 Sec → 3 Sec → 3 Sec → Fail to Modify. Try Again.</p> <p>Press "ON" to select the function item while it is showing on the LCD. Please turn on the gauge again in case you miss the selection.</p>
b	Zero	<p>* Refer to "a" to select the function item .</p> <p> → Press "ON" → → Press "ON" → → Press "ON" → Final Set Up.</p> <p> Fail to Modify. Try Again.</p>
c	Shut-off Time	<p>* Refer to "a" to select the function item . Default : 180 sec.</p> <p> → 3 Sec → 3 Sec → 3 Sec → → Fail to Modify. Try Again.</p> <p>Four cycles</p> <p>Press "ON" to select the time while it is showing on the LCD. Please turn on the gauge again in case you miss the selection.</p> <p> Final Set Up.</p>
d	Switch of Unit Mode	<p>* Refer to "a" to select the function item . Default : Bar</p> <p> → 3 Sec → → Fail to Modify. Try Again.</p> <p>Two cycles</p> <p>Press "ON" to select the unit mode while it is showing on the LCD. Please turn on the gauge again in case you miss the selection.</p> <p> Final Set Up.</p>

Remark: Please do not soak gauge into water, oil or any solvent to avoid damage.

Due to our continuous improvement, all specifications are subject to change without prior notice.