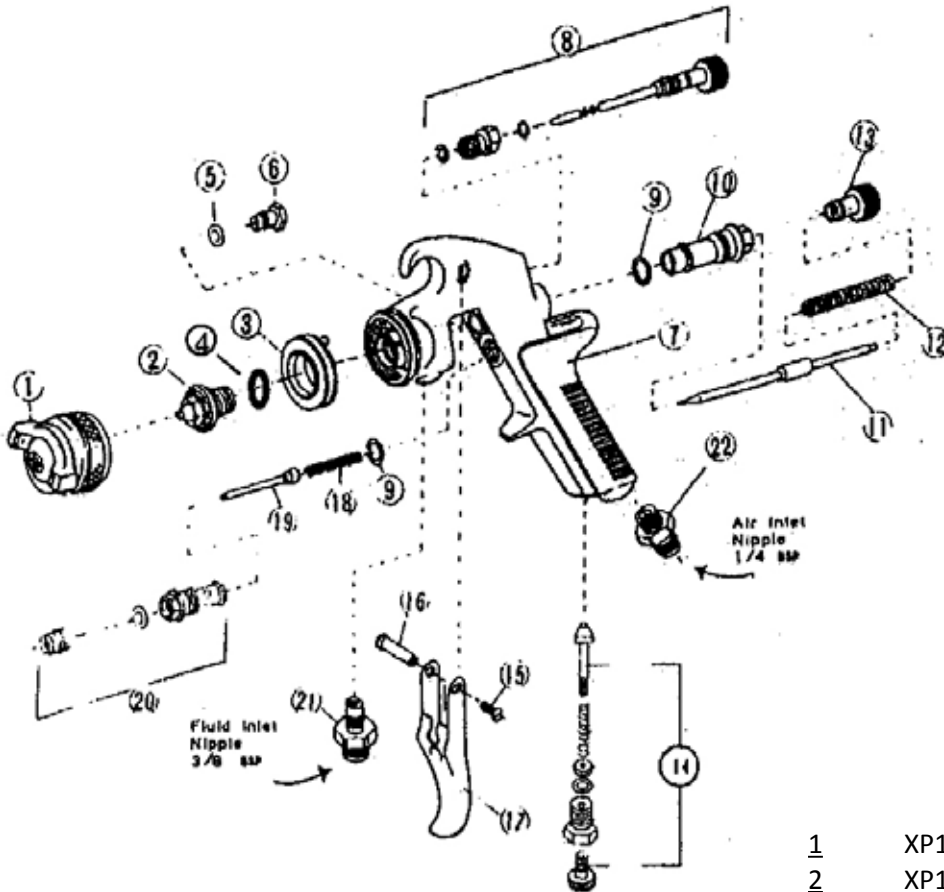


P-102

WORKQUIP GENERAL SUCTION SPRAY GUN (1.8MM / 2.5MM)



<u>1</u>	XP102-01	AIR CAP (1.8mm)
<u>2</u>	XP102-02	FLUID NOZZLE (1.8mm)
.....		
<u>1</u>	XP102G-01-2	AIR CAP (2.5mm)
<u>2</u>	XP102G-02-2	FLUID NOZZLE (2.5mm)
.....		
<u>3</u>	XP102-03	BAFFLE
<u>4</u>	XP102-04	FLUID NOZZLE GASKET
<u>5</u>	XP102-05	NEEDLE PACKING
<u>6</u>	XP102-06	AIR VALVE PACKING SEAT
<u>8</u>	XP102-08	SPREADER ADJ VALVE
<u>9</u>	SA102	GASKET (SERVICE KIT)
<u>10</u>	XP102-10	HOUSING
<u>11</u>	XP102-11	NEEDLE (1.8mm)
	XP102G-11-2	NEEDLE (2.5mm)
<u>12</u>	XP102-12	NEEDLE SPRING
<u>13</u>	XP102-13	FLUID ADJ KNOB
<u>14</u>	XP102-14	AIR ADJ ASSEMBLY
<u>15</u>	XP102-15	TRIGGER SCREW
<u>16</u>	XP102-16	TRIGGER STUD
<u>18</u>	XP102-18	AIR VALVE SPRING
<u>19</u>	SA102	AIR VALVE (SERVICE KIT)
<u>20</u>	XP102-20	AIR VALVE ASSEMBLY
<u>21</u>	XP102-21	FLUID NIPPLE INLET
<u>22</u>	XP102-22	NIPPLE AIR INLET
-	SA102	SERVICE KIT