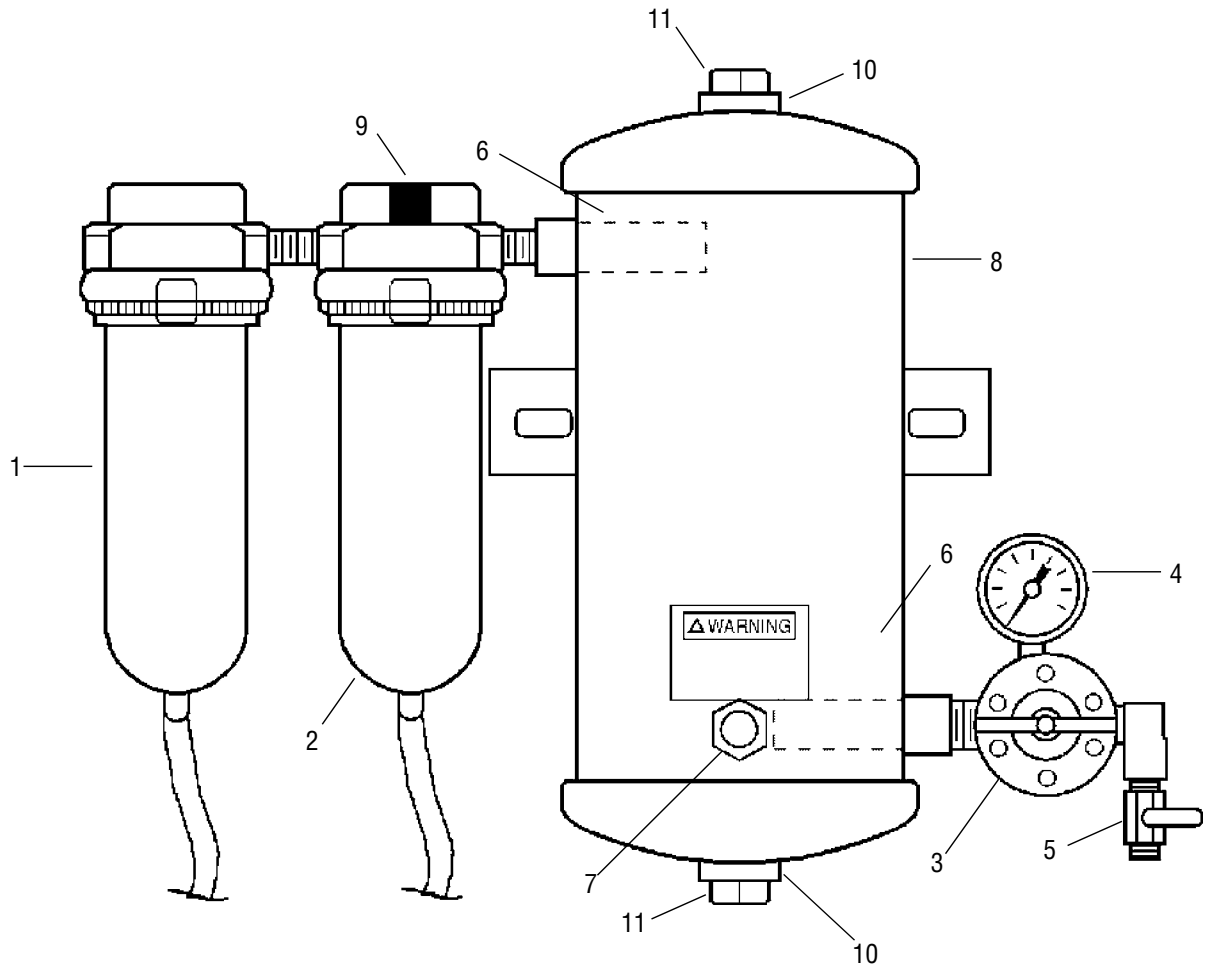


Refer to Service Bulletin: SB-6-156

Desiccant Air Dryer System 130026 (DAD-500)



| Ref. No. | Order No. | Model No. | Description | Ind. Parts Required |
|----------|-----------|-------------|---|---------------------|
| 1 | 130041 | 13-0041 | Water Separator Filter | 1 |
| 2 | 130027 | HAF-505 | Oil Coalescing Filter | 1 |
| 3 | 130059 | HAR-507 | Air Regulator | 1 |
| 4 | 190564 | GA-288 | Gauge | 1 |
| 5 | 240039 | VA-542 | Ball Valve | 1 |
| 6 | 190953 | DAD-8 | Air Filter (inside of tank) | 2 |
| 7 | 190895 | DAD-400 | Humidity Indicator (1 Humidity Indicator—Paper Included) | 1 |
| 8 | 190877 | PT-417 | Desiccant Tank (without desiccant) (includes # 6) | 1 |
| 9 | 190883 | HAF-404 | Filter Change Indicator | 1 |
| • | 130030 | DAD-600 | Tune-Up Kit (see Tune-Up Kit chart) | 1 |
| + | 190831 | DAD-1 | Desiccant Refill | 1 |
| + | 190727 | HAF-6 | Filter (see Key Maintenance Items chart) | 1 |
| + | 190845 | HAF-28 | Filter (see Key Maintenance Items chart) | 1 |
| 10 | 802153 | SSG-8217-K2 |) Ring Kit | 1 |
| 11 | 802154 | PT-96 | Pipe Plug special 1-1/2 NPT | 2 |
| 12 | 802188 | VA-595 | Brass Shut Off Valve (not shown) | 1 |

•130030 (DAD-600) TUNE-UP KIT
Consists of:

| Model No. | Description | Qty. |
|-----------|----------------------------|------|
| DAD-1 | Desiccant Refill | 1 |
| HAF-6 | Filter Element for 13-0041 | 1 |

+KEY MAINTENANCE ITEMS
(Replace periodically for efficient performance)

| Order No. | Model | Description |
|-----------|--------|--|
| 190831 | DAD-1 | Desiccant Refill |
| 190727 | HAF-6 | First stage water separator filter element (5 microns) |
| 190845 | HAF-28 | Second stage coalescing filter element (.01 microns) |