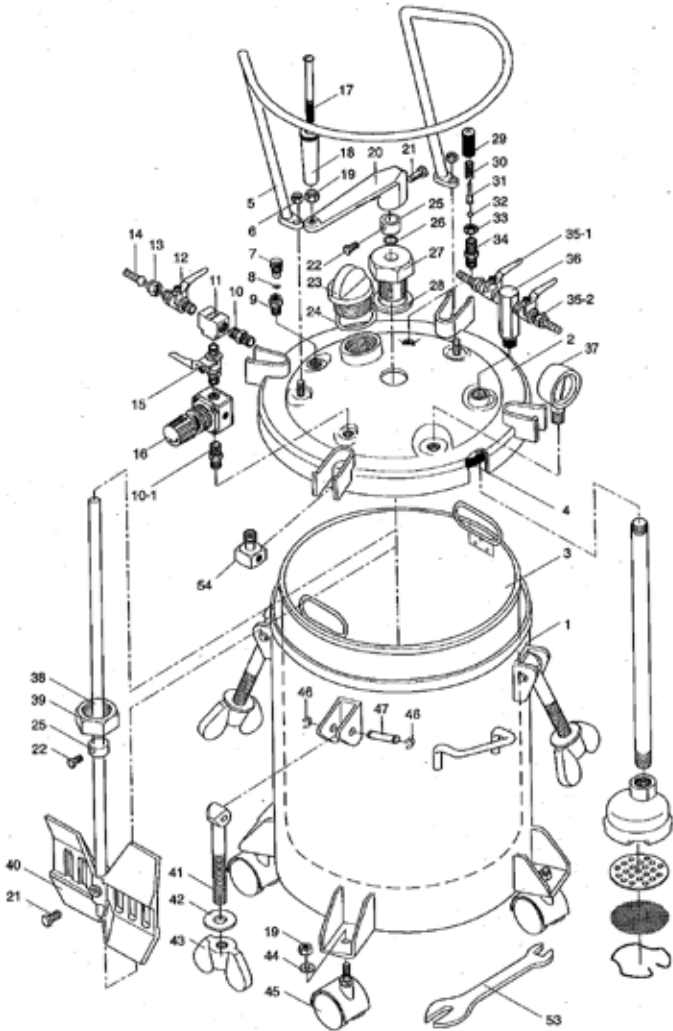


**02220-M**

**WORKQUIP 20L MANUAL AGITATION PRESSURE POT**



	X02220M-03	POT LINER (S/STEEL)
<u>4</u>	02220-04	POT GASKET
<u>5</u>	X02220M-05	PARTS GUARD
<u>7-9</u>	X02210-26-28	RELEASE VALVE ASSEMBLY
<u>10</u>	X02210-18	1/4 X 1/4 NIPPLE
<u>10.1</u>	X02210-18A	AIR FLOW NIPPLE
<u>11</u>	X02210-17	TEE MANIFOLD
<u>12</u>	06139	AIR COCK (1/4)
<u>16</u>	X02210-14	REGULATOR
<u>17-19</u>	X02210M-456	HANDLE ASSEMBLY
<u>20-21</u>	X02210M-0708	SWING ROCKER BOLT
<u>23</u>	X02220M-23	FILLER CAP
<u>24</u>	X02220M-24	SEAL RING
<u>25</u>	X02220M-09	CONNECTING RING
<u>26</u>	X02210M-10	SHAFT O'RING
<u>27</u>	X02210M-11	TOP CENTRE NUT
<u>28</u>	X02210M-12	SEAL RING - SHAFT BASE
<u>29-34</u>	X02210-20-25	SAFETY VALVE ASSEMBLY
<u>35</u>	X02220M-35	MATERIAL OUTLET COCK
	X02220M-35S	MATERIAL OUTLET S/STEEL
<u>36</u>	X02220M-36N	MATERIAL OUTLET ADAPTOR
	X02220M-36S	MATERIAL OUT ADAP (S/STEEL)
<u>37</u>	06364-BP	PRESSURE GAUGE (100PSI)
<u>38</u>	X02220M-38	AGITATOR ROD
	X02220M-38S	AGITATOR ROD (S/STEEL)
<u>39</u>	X02210M-34	HEXAGON NUT
<u>40</u>	X02220M-40	AGITATOR PROPELLER
<u>41</u>	X02210-10	SWING BOLT
<u>42</u>	X02210-11	WASHER
<u>43</u>	X02210-12	THUMB NUT
<u>44-45</u>	X02210-13	WHEEL ASSEMBLY
<u>46</u>	X02210-32	RETAINING CLIP
<u>47</u>	X02210-31	COTTER PIN
<u>48</u>	X02220M-48N	FLUID TUBE
	X02220M-48NS	FLUID TUBE (S/STEEL)
<u>49</u>	X02220M-49	MATERIAL FILTER ASSEMBLY
<u>50</u>	X02220M-50	FILTER BASE
<u>51</u>	X02220M-51	MATERIAL FILTER
<u>52</u>	X02220M-52	SNAP RING
<u>53</u>	X02210-34	SPANNER
<u>54</u>	X02210M-23	AIR FLOW GUIDE