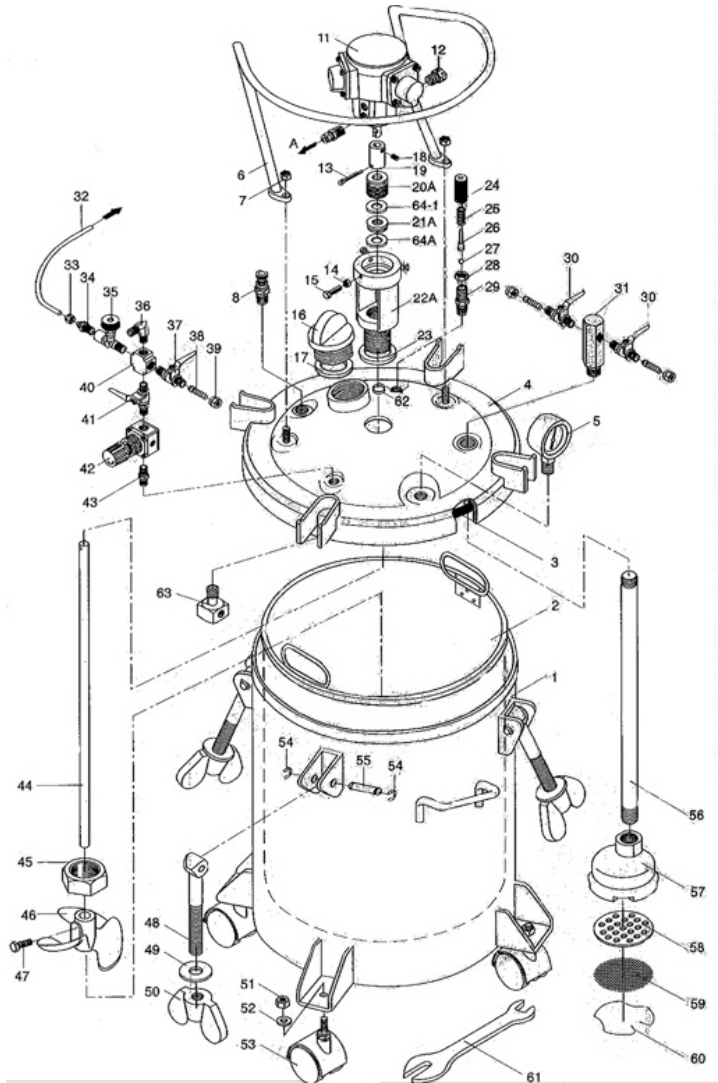


02220-A

WORKQUIP 20L AIR AGITATION PRESSURE POT



<u>2</u>	X02220M-03	POT LINER (S/STEEL)
<u>3</u>	02220-04	POT GASKET
<u>5</u>	06364-BP	GUAGE 100PSI
<u>8</u>	X02210-26-28	RELEASE VALVE ASSEMBLY
<u>11</u>	02400	AIR AGITATOR MOTOR
<u>16</u>	X02220M-23	FILLER CAP
<u>17</u>	X02220M-24	SEAL RING
<u>19</u>	X02210A-08	CONNECTING BUSH
<u>20A</u>	X02210A-09N	CENTERING GUIDE
<u>21A</u>	X02210A-10A	SHAFT SEAL CUP
<u>22A</u>	X02210A-13A	MOTOR BASE
<u>23</u>	X02220M-24	SEAL RING
<u>24-29</u>	X02210-20-25	SAFETY VALVE ASSEMBLY
<u>30</u>	X02220M-35N	TAP
	X02220M-35S	TAP (S/STEEL)
<u>31</u>	X02220M-36N	MATERIAL OUTLET ADAPTOR
	X02220M-36S	MATERIAL OUT ADAP (S/STEEL)
<u>35</u>	X02210A-23	AIR VALVE TAP
<u>36</u>	X02210A-22	ELBOW AIR INLET
<u>37</u>	06139	AIR COCK (1/4)
<u>40</u>	X02210A-27	4-WAY BLOCK
<u>42</u>	X02210-14	REGULATOR
<u>43</u>	X02210-18A	AIR FLOW NIPPLE
<u>44</u>	X02220A-44S	AGITATING ROD (S/STEEL)
<u>45</u>	X02210M-34	HEXAGON NUT
<u>46-47</u>	X02220A-47	AGITATING PROPELLER BOLT
<u>48</u>	X02210-10	SWING BOLT
<u>49</u>	X02210-11	WASHER
<u>50</u>	X02210-12	THUMB NUT
<u>51-53</u>	X02210-13	WHEEL ASSEMBLY
<u>54</u>	X02210-32	RETAINING CLIP
<u>55</u>	X02210-31	COTTOR PIN
<u>56</u>	X02220M-48NS	FLUID TUBE (S/STEEL)
<u>57</u>	X02220M-49	MATERIAL FILTER ASSEMBLY
<u>58</u>	X02220M-50	FILTER BASE
<u>59</u>	X02220M-51	MATERIAL FILTER
<u>60</u>	X02220M-52	SNAP RING
<u>61</u>	X02210-34	SPANNER
<u>62</u>	X02210A-61	SHAFT O'RING
<u>63</u>	X02210M-23	AIR FLOW GUIDE
<u>64A</u>	X02210A-60A	SEAL RING
<u>64-1</u>	X02210A-60-1	UPPER SEAL RING