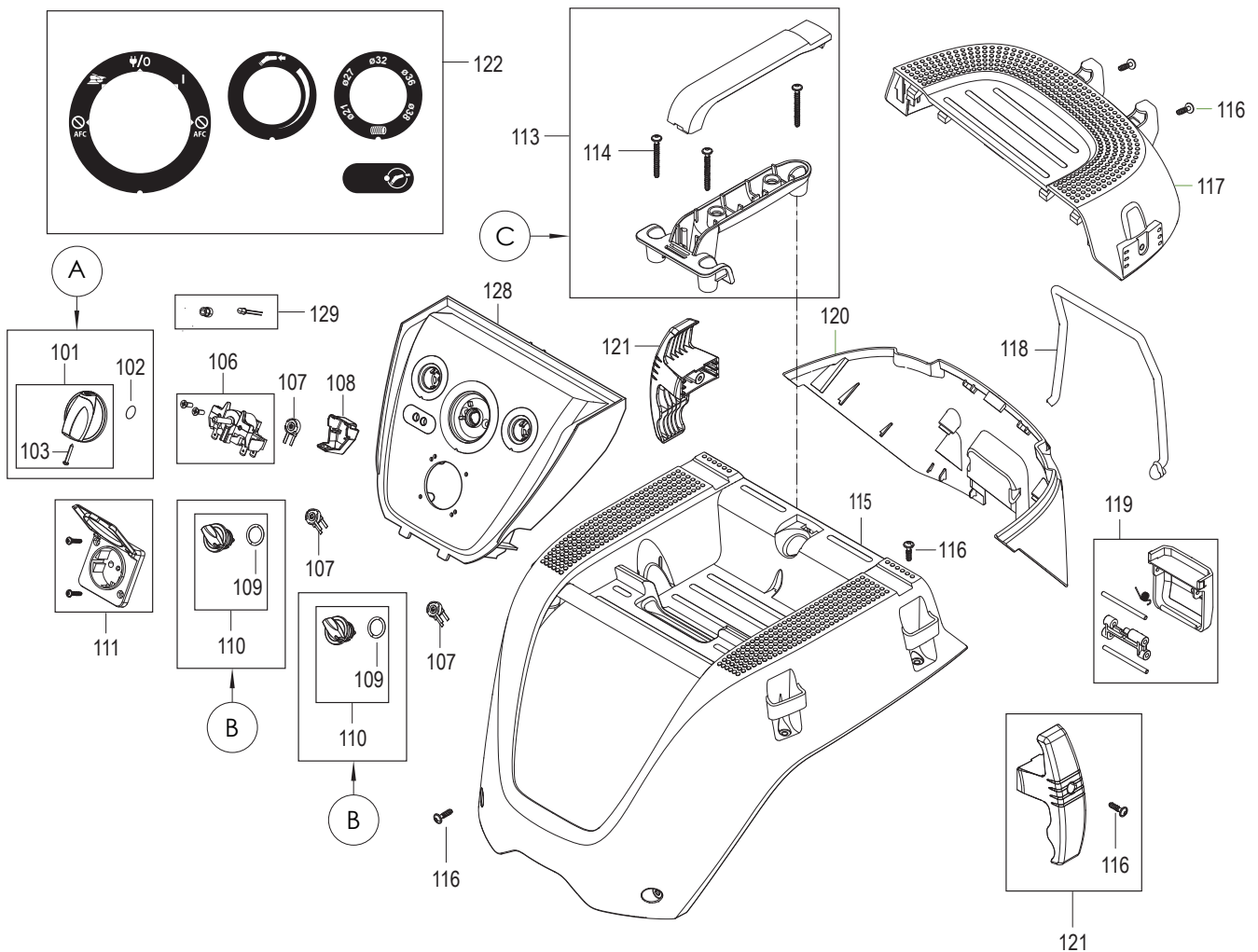


Exploded view of Dust Extractor 1230 M • AFC

Updated 07.11.2016



Parts list – kits

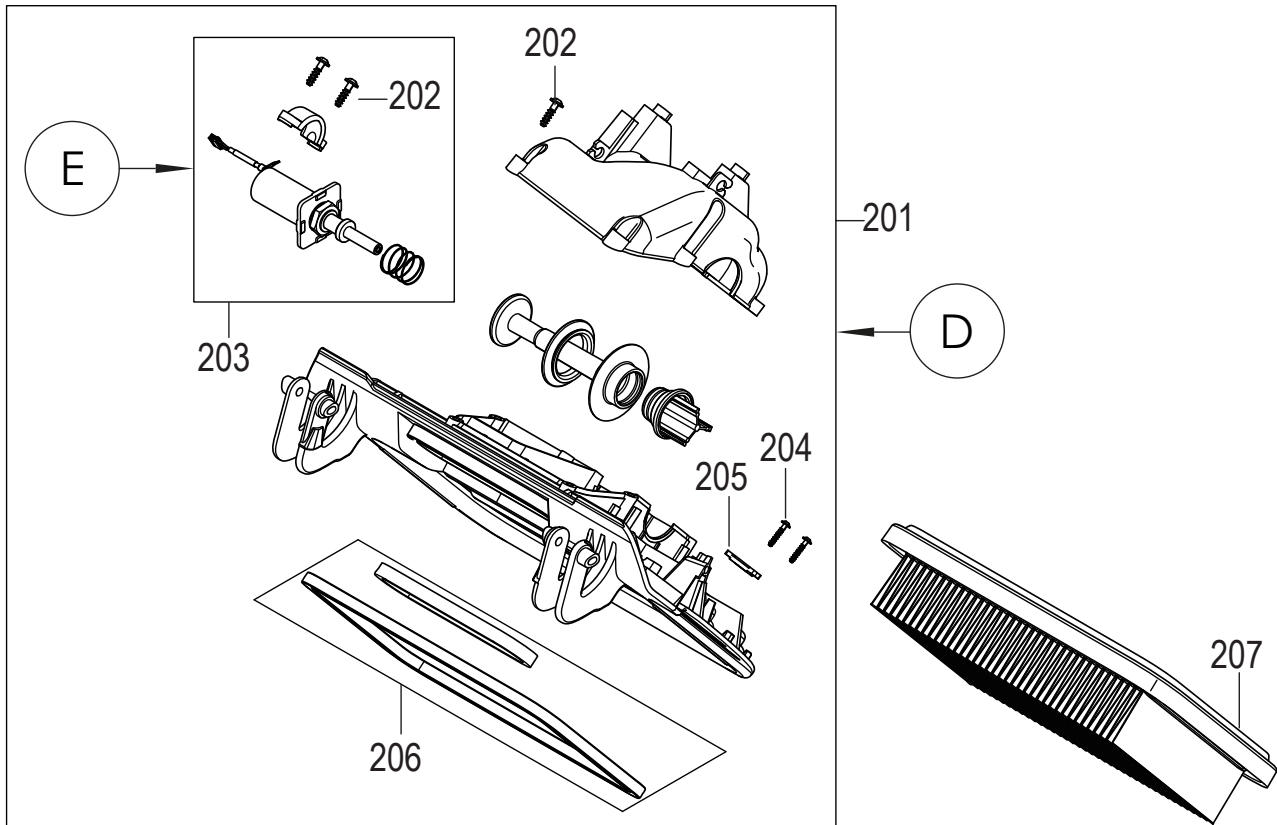
Mirka code	Item	Description	Kit	Qty
8999603611		Rotary knob kit	A	
	101	Rotary knob		1
	102	O-ring 10 x 2,5 mm		1
	103	Screw 2,9 x 19 mm		1
8999211011		Turning knob kit	B	
	109	O-ring 16 x 2 mm		1
	110	Turning knob		1
8999211311		Handle kit	C	
	113	Handle kit		1
	114	Screw 5 x 45 mm		3

Parts list – spare parts

Mirka code	Item	Description	Kit	Qty
	101	Rotary Knob	A	1
	102	O-ring 10 x 2,5 mm	A	1
	103	Screw 2,9 x 19 mm	A	1
8999210611	106	Rotary switch 16 A		2
	107	Potentiometer with wire		2
	108	Cap for pot-meter		1
	109	O-ring 16 x 2 mm	B	1
	110	Turning knob	B	1
8999601911	111	Socket 16 A / 250 V , EU		1
8999711011GB	111	Socket 13 A / 250 V for Mirka DE, GB		1
	113	Handle kit	C	1
	114	Screw 5 x 45 mm	C	3
8999211511	115	Top cover		1
8999701411	116	Screws 5 x 18 mm		17
8999211711	117	Hatch door upper cover for AFC		1
	118	Cord strap kit		1
8999211911	119	Hatch door clamp kit		1
	120	Hatchback lower cover		1
8999212111	121	Hose hook		2
	122	Label kit for AFC control panel, 4 pcs		1
	129	LED indicator kit		1
	128	Control panel kit M AFC		1

Exploded view of Dust Extractor 1230 M • AFC

Updated 08.11.2016



Parts list – kits

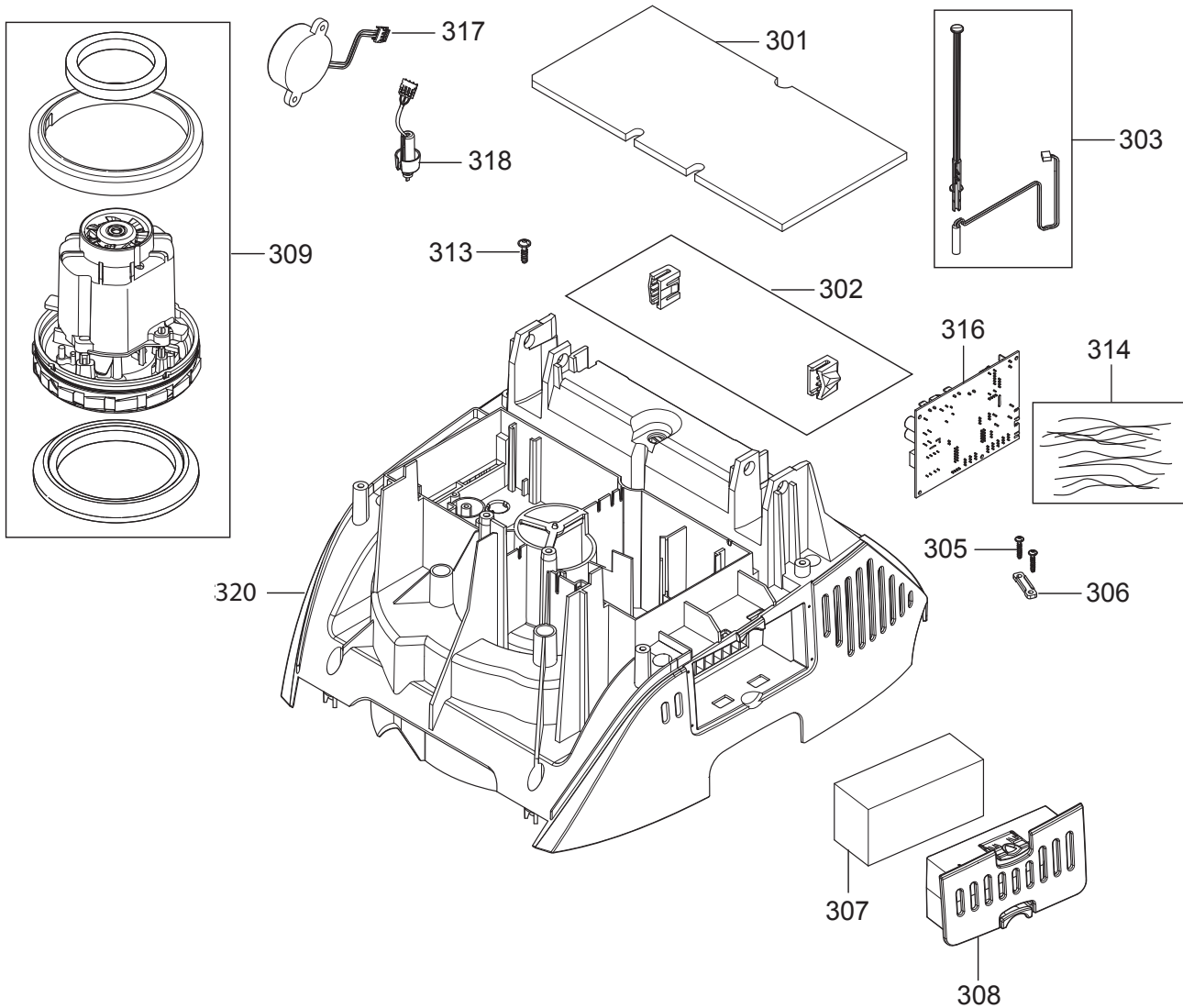
Mirka code	Item	Description	Kit	Qty
8999220811		Hatch door frame kit AFC	D	
	201	Hatch door frame		1
	202	Screws 5 x 18 mm		15
	203	Solenoid 220–240 V		1
	204	Screws 3,5 x 18 mm		1
	205	Strap 3 x 8 x 33 mm		1
	206	Hatch door filter gasket		1
8999220311		Solenoid kit 220–240 V AFC	E	
	202	Screws 5 x 18 mm		2
	203	Solenoid 220–240 V		1

Parts list – spare parts

Mirka code	Item	Description	Kit	Qty
	201	Hatch door frame AFC	D	1
	202	Screws 5 x 18 mm	D, E	15, 2
	203	Solenoid 220–240 V AFC	D, E	1
	204	Screws 3,5 x 18 mm	D	2
	205	Strap 3 x 8 x 33 mm	D	1
	206	Hatch door filter gasket	D	1
8999100411	207	Filter		1

Exploded view of Dust Extractor 1230 M • AFC

Updated 08.11.2016

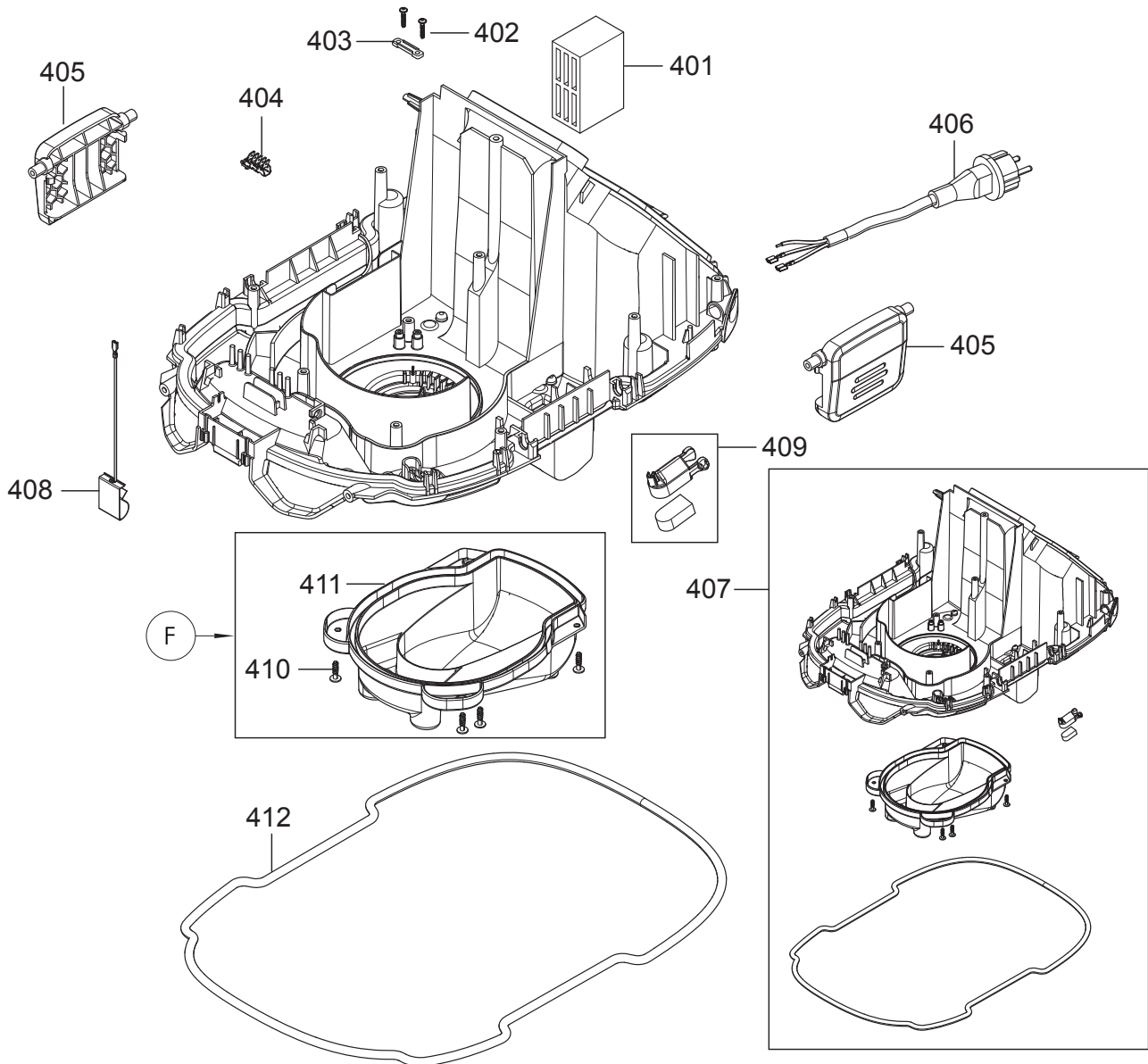


Parts list – spare parts

Mirka code	Item	Description	Kit	Qty
	301	Foam sealing 298 x 148 mm		1
8999230211	302	Hatch door hinge snap		2
	303	Reed sensor with applicator		1
8999701311	305	Screw 3,5 x 18 mm		2
8999701811	306	Strap cable		1
8999110111	307	Motor cooling filter		1
8999230811	308	Cover for motor cooling filter		1
8999230911	309	Motor assembly 230 V		1
8999701411	313	Screw 5 x 18 mm		9
	314	Wire / Capacitor kit		6
8999231611	316	Electronic board 230–240 V M AFC		1
	317	Buzzer for DE 1230 M		1
8999231811	318	Flow sensor for DE 1230 M		1
	320	Airguide M		1

Exploded view of Dust Extractor 1230 M • AFC

Updated 08.11.2016



Parts list – kits

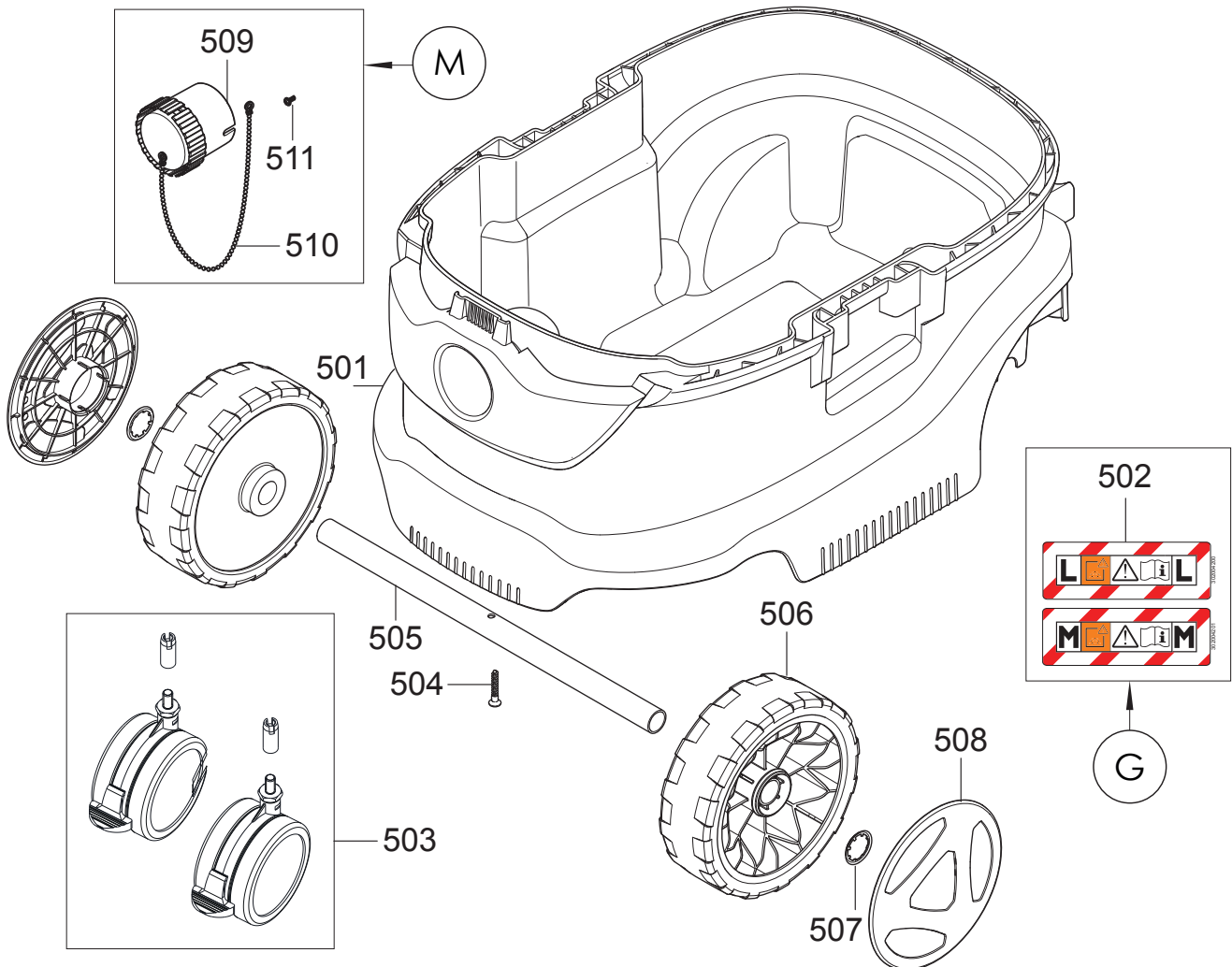
Mirka code	Item	Description	Kit	Qty
		Air flow cover kit	F	
	410	Screws 5 x 18 mm, stainless steel		4
	411	Air flow cover, black		1

Parts list – spare parts

Mirka code	Item	Description	Kit	Qty
	401	Sound absorber 83 x 55 x 35 mm		1
8999701311	402	Screw 3,5 x 18 mm		2
8999701811	403	Strap cable		1
8999711911	404	Distribution strip		1
8999240511	405	Container clamp		2
8999240611	406	Power cord (EU)		1
8999141311	406	Power cord (GB, 230V)		1
	407	Base plate assembly		1
	408	Contact spring with wire		1
	409	Floater with magnet		1
	410	Screws 5 x 18 mm, stainless steel	F	4
	411	Air flow cover, black	F	1
	412	Container sealing		1

Exploded view of Dust Extractor 1230 M • AFC

Updated 08.11.2016



Parts list – kits

Mirka code	Item	Description	Kit	Qty
		Dustclass Label Kit	G	
	502	Label Dustclass L, 130 x 44		1
	502	Label Dustclass M, 130 x 44		1
8999754911		Container plug kit	M	
	509	Hose inlet plug 50 mm		1
	510	Bead chain 15 mm		1
	511	Screw 3,5 x 8 mm		1

Parts list – spare parts

Mirka code	Item	Description	Kit	Qty
	501	Container 30L		1
	502	Label dustclass L 130 x 44	G	1
	502	Label dustclass M 130 x 44	G	1
8999250311	503	Front wheels D75 mm , 2/pack		2
	504	Screw 5 x 35 mm		1
8999703611	505	Wheel axle		1
	506	Rear wheel D175		2
8999703911	507	Clamping ring		2
	508	Wheel cap		2
	509	Hose inlet plug 50 mm	M	1
	510	Bead chain 15 mm	M	1
	511	Screw 3,5 x 8 mm	M	1