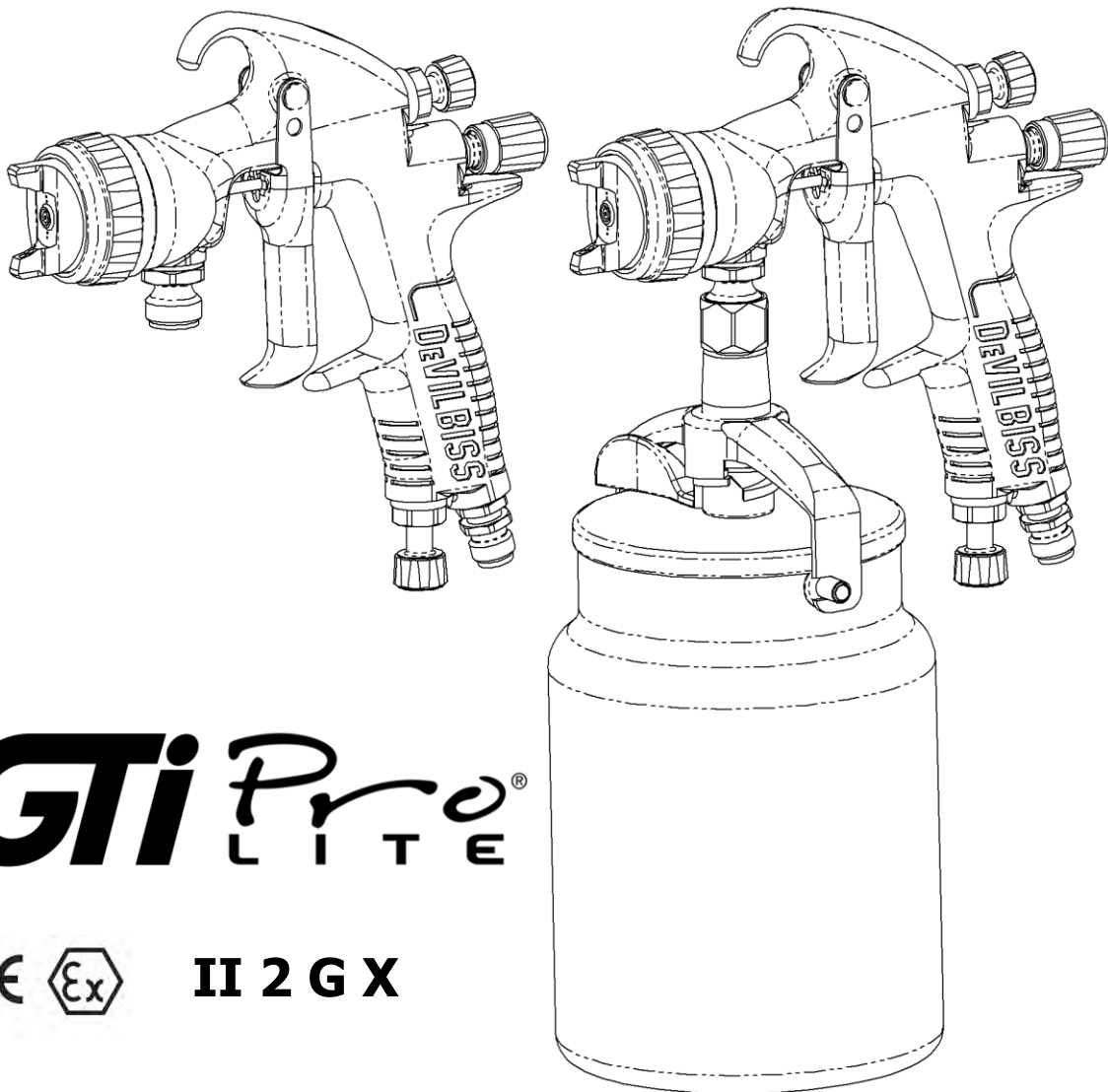


DEVILBISS**DEVILBISS GTI Pro Lite****HVLP and High Efficiency****Suction and Pressure Spray Guns****GTI Pro**
L I T E**II 2 G X****IMPORTANT! DO NOT DESTROY**

It is the Customer's responsibility to have all operators and service personnel read and understand this manual.

Contact your local DeVilbiss representative for additional copies of this manual.

READ ALL INSTRUCTIONS BEFORE OPERATING THIS DEVILBISS PRODUCT.

FUNCTIONAL DESCRIPTION

The GTi PRO Lite spray gun is a professional quality gun designed with EPA compliant, High Efficiency or high volume, low pressure (HVLP) technology. HVLP technology reduces overspray and limits air cap pressure to 0.7 bar [10 psi]. High Efficiency complies with EPA by obtaining transfer efficiency above 65%.

SPECIFICATIONS

AIR INLET PRESSURES		
P1 = Max Static Air Input Pressure		12 Bar [175 psi]
P2 = Max Fluid Input Pressure		15 Bar (217 psi)
Gun Air Inlet Pressure with gun triggered	HVLP	1.75 Bar [25 psi]
	High Efficiency	2.0 Bar [29 psi]

ENVIRONMENTAL	
Max Ambient Operating Temperature	40°C Nominal [104°F]

MATERIALS OF CONSTRUCTION	
Gun Body Material	Anodised Aluminium
Fluid Tip, Fluid Needle, Fluid Inlet and Trigger Stud	Stainless Steel
Air Cap Material	Electroless Nickel Plated Brass
Air Cap Retaining Ring, Sprayhead, Adjusting Knobs	Anodised Aluminium
Springs, Clips, Screws	Stainless Steel
Seals and O-Rings	Solvent resistant
Trigger	Chrome plated steel
Air Inlet, Valve Body, Air Valve Body, Packing Nut	Chrome plated brass
Air Valve Stem	Electroless Nickel Plated Brass
Cup, Lid, Tube and Cam	Aluminium

CONNECTIONS	
P1 = Air Inlet Size	1/4" Universal
P2 = Fluid Inlet Size	3/8" BSP

WEIGHT	
GUN ONLY	500g
WITH CUP	935g

DIMENSIONS		
L x H x W mm	GUN ONLY	174 x 175 x 18
	WITH CUP	177 x 302 x 115

Product Description:	GTi Pro Lite™
This Product is designed for use with:	Solvent and water based materials
Suitable for use in hazardous area:	Zone 1 & 2
Protection Level:	II 2 G X
Vibration Level:	<2.5 m/s ²
Sound Pressure Level:	Available on request
Sound Power Level:	Available on request
Manufacturer:	Finishing Brands UK, Ringwood Road, Bournemouth, BH11 9LH. UK

EU Declaration of Conformity



We: Finishing Brands UK, declare that the above product conforms with the Provisions of:

Machinery Directive 2006/42/EC

ATEX Directive 94/9/EC

by complying with the following statutory documents and harmonised standards:

BS EN 1953:2013 Atomising and spraying equipment for coating materials - Safety requirements

EN ISO 12100-1:2010 Safety of Machinery - Basic concepts, general principles for design - Basic terminology, methodology

EN ISO 12100-2:2010 Safety of Machinery - Basic concepts, general principles for design - Technical principles

EN 14462:2005+A1:2009 Surface treatment equipment - Noise test code for surface treatment equipment including its ancillary handling equipment - Accuracy grades 2 and 3

EN ISO 11201:1995 Acoustics - Noise by machinery and equipment - Determination of emission sound pressure levels at a work station and at other specified positions in an essentially free field over a reflecting plane with negligible environmental corrections

EN ISO 20643:2008 Mechanical vibration - Hand held and hand guided machinery - Principles for evaluation of vibration emission

EN ISO 28662-1 Hand-held portable power tools - Measurement of vibrations at the handle

EN 12096:1997 Mechanical vibration - Declaration and verification of vibration emission values

EN 1127-1: Explosive atmospheres - Explosion prevention - Basic concepts

EN 13463-1: Non electrical equipment for use in potentially explosive atmospheres - Basic methods and requirements

HVLP and High Efficiency products comply with the requirements of PG6 from the EPA guidelines and offer greater than 65% transfer efficiency.

D Smith (General Manager)
21/03/16

! WARNING	! CAUTION	NOTE
Hazards or unsafe practices which could result in severe personal injury, death or substantial property damage.	Hazards or unsafe practices which could result in minor personal injury, product or property damage.	Important installation, operation or maintenance information.
! WARNING		

Read the following warnings before using this equipment.



SOLVENTS AND COATING MATERIALS. Can be highly flammable or combustible when sprayed. Always refer to the coating material supplier's instructions and safety sheets before using this equipment.



INSPECT THE EQUIPMENT DAILY. Inspect the equipment for worn or broken parts on a daily basis. Do not operate the equipment if you are uncertain about its condition.



READ THE MANUAL. Before operating finishing equipment, read and understand all safety, operation and maintenance information provided in the operation manual. Users must comply with all local and national codes of practice and insurance company requirements governing ventilation, fire precautions, operation and house-keeping of working areas.



EQUIPMENT MISUSE HAZARD. Equipment misuse can cause the equipment to rupture, malfunction or start unexpectedly and result in serious injury.



FIRE AND EXPLOSION HAZARD. Never use 1,1,1-Trichloroethane, Methylene Chloride, other Halogenated Hydrocarbon solvents or fluids containing such solvents in equipment with aluminium wetted parts. Such use could result in a serious chemical reaction, with the possibility of explosion. Consult your fluid suppliers to ensure that the fluids being used are compatible with aluminium parts.



GLOVES. Must be worn when spraying or cleaning the equipment.



WEAR SAFETY GLASSES. Failure to wear safety glasses with side shields could result in serious eye injury or blindness.



STATIC CHARGE. Fluid may develop a static charge that must be dissipated through proper grounding of the equipment, objects to be sprayed and all other electrically conductive objects in the dispensing area. Improper grounding or sparks can cause a hazardous condition and result in fire, explosion or electric shock and other serious injury.



WEAR RESPIRATOR. The use of respiratory protective equipment is recommended at all times. The type of equipment must be compatible with the material being sprayed.



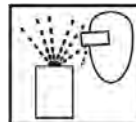
TOXIC VAPOURS. When sprayed, certain materials may be poisonous, create irritation, or are otherwise harmful to health. Always read all labels, safety sheets and follow any recommendations for the material before spraying. If in doubt contact your material supplier.



NEVER MODIFY THE EQUIPMENT. Do not modify the equipment unless the manufacturer provides written approval.



LOCK OUT / TAG-OUT. Failure to de-energise, disconnect, lock out and tag-out all power sources before performing equipment maintenance could cause serious injury or death.



PROJECTILE HAZARD. You may be injured by venting liquids or gases that are released under pressure, or flying debris.



NOISE LEVELS. The A-weighted sound level of pumping and spray equipment may exceed 85 dB(A) depending on equipment settings. Actual noise levels are available on request. It is recommended that ear protection is worn at all times while equipment is in use.



PRESSURE RELIEF PROCEDURE. Always follow the pressure relief procedure in the equipment instruction manual.



KNOW WHERE AND HOW TO SHUT OFF THE EQUIPMENT IN CASE OF AN EMERGENCY.



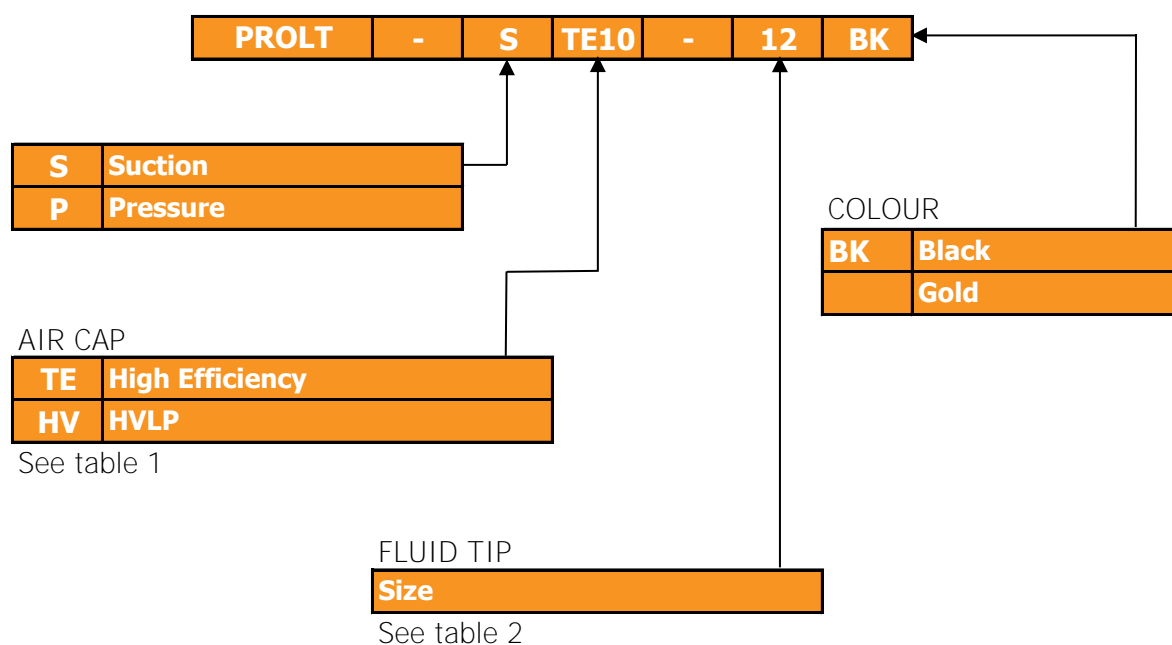
HIGH PRESSURE CONSIDERATION. High pressure can cause serious injury. Relieve all pressure before servicing. Spray from the gun, hose leaks or ruptured components can inject fluid into your body and cause extremely serious injury.



OPERATOR TRAINING. All personnel must be trained before operating finishing equipment.

IT IS THE RESPONSIBILITY OF THE EMPLOYER TO PROVIDE THIS INFORMATION TO THE OPERATOR OF THE EQUIPMENT.

GTi Pro Lite GUN PART NUMBER FORMAT & PART SELECTION GUIDE


TABLE 1

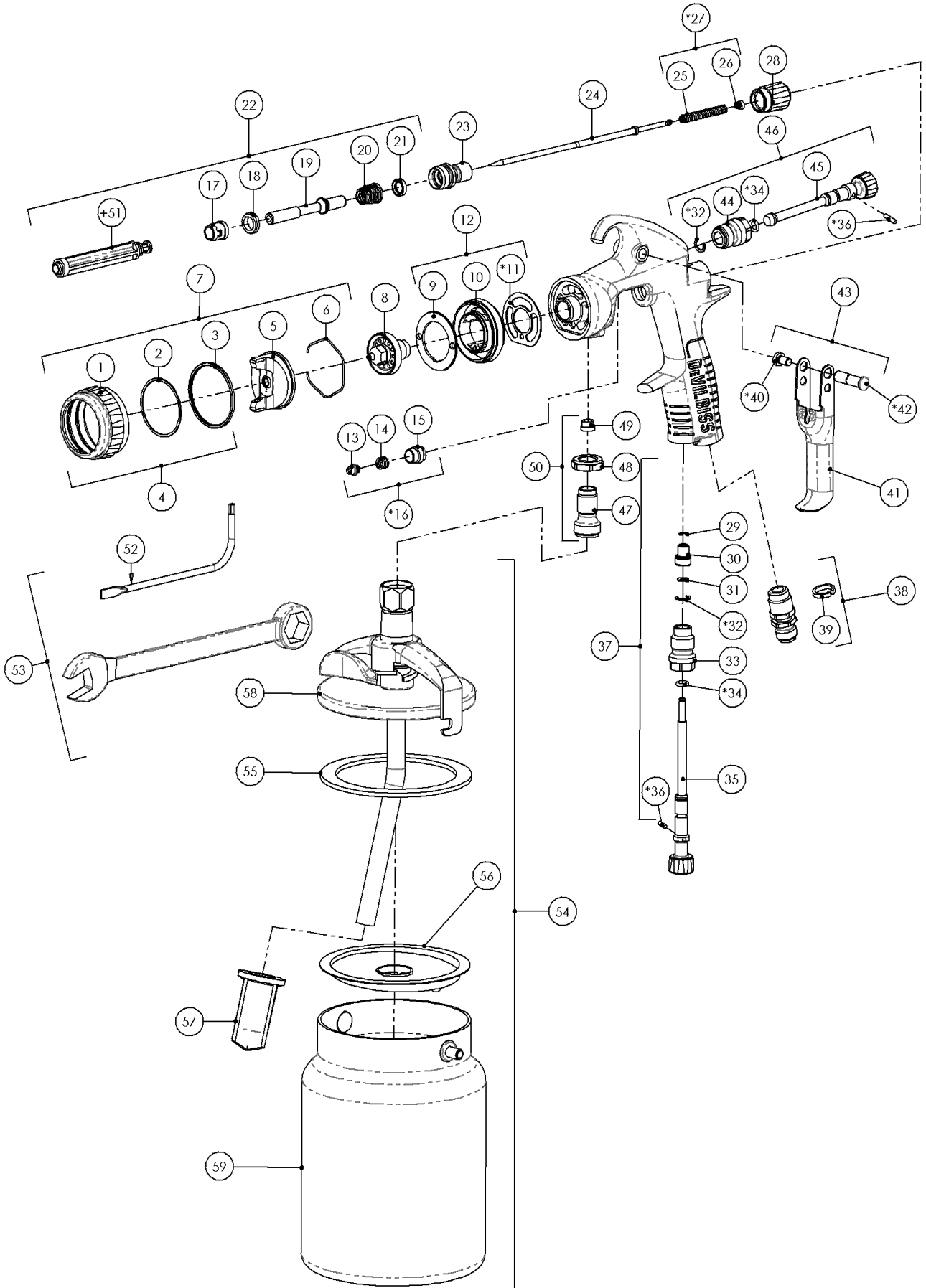
GTi Pro Lite™ AIR CAP PERFORMANCE GUIDE						
Air Cap & Type		Part Number	Fluid Feed	Recommended Air Inlet Pressure	Air Consumption	Typical Fan Pattern Size**
HV30	HVLP	PRO-102-HV30-K	Suction/Pressure	1.75 Bar [25 psi]	465 L/min	280-310
TE10	High Efficiency	PRO-102-TE10-K	Suction/Pressure	2.0 Bar [29 psi]	275 L/min	265-290
TE20	High Efficiency	PRO-102-TE20-K	Suction/Pressure	2.0 Bar [29 psi]	350 L/min	265-285
TE30	High Efficiency	PRO-102-TE30-K	Pressure Only	2.0 Bar [29 psi]	300 L/min	240-280
TE40	High Efficiency	PRO-102-TE40-K	Pressure Only	2.0 Bar [29 psi]	365 L/min	300-420

** Fan pattern size @ 200mm distance.

TABLE 2

GTi Pro Lite™ FLUID TIPS & NEEDLES			
Spraygun	Fluid Tip Size	Fluid Tip	Needle
PROLT-P Pressure	0.85	PRO-205-085-K	PRO-320-085-10-K
	1.0	PRO-205-10-K	
	1.2	PRO-205-12-K	PRO-320-12-14-K
	1.4	PRO-205-14-K	
	1.6	PRO-205-16-K	PRO-320-16-18-K
	1.8	PRO-205-18-K	
PROLT-S Suction	1.6	PRO-200-16-K	PRO-325-K
	1.8	PRO-200-18-K	
	2.0	PRO-200-20-K	

EXPLODED VIEW



PARTS LIST

REF.	PART No.	DESCRIPTION	QTY.
1	-	RETAINING RING	1
2	-	SLIP RING	1
3	-	RETAINING RING SEAL	1
4	PRO-420-K	RETAINING RING SUB ASSEMBLY	1
5	-	AIR CAP	1
6	JGA-156-K5	SPRING CLIP (KIT OF 5)	1
7	SEE TABLE	AIR CAP & RETAINING RING	1
8	SEE TABLE	FLUID TIP	1
9	SN-41-K	BAFFLE PLATE	1
10	-	SPRAYHEAD	1
*11	SN-18-1-K2	GASKET (KIT OF 2)	1
12	SN-69-K	SPRAY HEAD KIT	1
13	-	NEEDLE PACKING	1
14	-	PACKING SPRING	1
15	-	PACKING NUT	1
*16	SN-404-K	PACKING, SPRING & PACKING NUT KIT	1
17	-	FRONT VALVE SEAL	1
18	-	VALVE SEAT	1
19	-	AIR VALVE STEM	1
20	-	AIR VALVE SPRING	1
21	-	REAR VALVE SEAL	1
22	PRO-471	AIR VALVE ASSEMBLY	1
23	SN-66-K	AIR VALVE BODY	1
24	SEE TABLE	FLUID NEEDLE	1
25	-	NEEDLE SPRING	1
26	-	SPRING PAD	1
*27	PRO-472-K3	NEEDLE SPRING KIT	1
28	SN-67-C-K	FLUID ADJUSTING KNOB	1
29	25746-007-K5	CIRCLIP (KIT OF 5)	1
30	-	VALVE HEAD	1
31	-	WASHER	1
*32	-	CIRCLIP	1
33	-	VALVE BODY	1
*34	-	O RING	1
35	-	VALVE ADJUSTING KNOB	1
*36	-	SPREADER VALVE PIN	1
37	PRO-407-K	AIRFLOW VALVE	1

PARTS LIST (Continued)

REF.	PART No.	DESCRIPTION	QTY.
38	SN-9-K	AIR INLET	1
39	SN-26-K4	COLOUR ID RING KIT (4 COLOURS)	1
*40	-	TRIGGER SCREW	1
41	-	TRIGGER	1
*42	-	TRIGGER STUD	1
43	SP-617-CR-K	TRIGGER STUD & SCREW KIT	1
44	-	VALVE BODY	1
45	-	SPREADER VALVE ADJUSTING KNOB	1
46	PRO-406-K	SPREADER VALVE ASSEMBLY	1
47	-	FLUID INLET	1
48	-	LOCK NUT	1
49	-	SEAL	1
50	ADV-7-K	FLUID INLET KIT	1
+51	-	AIR VALVE SERVICE TOOL	1
52	SPN-8-K2	TORX DRIVER (KIT OF 2)	1
53	SN-406	TOOL KIT	1

SUCTION CUP MODELS ONLY

54	KR-566-1-B	SUCTION CUP KIT	1
55	KR-11-K3	CUP LID GASKET (KIT OF 3)	1
56	KR-115-K5	DIAPHRAGM (KIT OF 5)	1
57	KR-484-K10	FILTER (KIT OF 10)	1
58	KR-4001-B	LID ASSEMBLY	1
59	KR-466-K	CUP	1

SERVICE PARTS

PRO-470	SPRAY GUN REPAIR KIT (INCLUDES ITEMS MARKED *)
GTI-428-K5	SEAL AND PIN KIT, KIT OF 5 (ITEMS 32, 34 & 36)

+ NOT INCLUDED IN THE GUN KIT, ONLY WITH REF 22

**WARNING**

The spray gun must be earthed to dissipate any electrostatic charges which may be created by fluid or air flows. This can be achieved through the spray gun mounting, or conductive air/fluid hoses. Electrical bond from the spray gun to earth should be checked and a resistance of less than 10⁶ Ohms is required.

**CAUTION**

IMPORTANT: This spraygun is suitable for use with both waterbased and solvent based coating materials.

- To avoid premature degradation of parts, DeVilbiss recommends the gun is washed in neutral cleaning solution (pH 6 to 8).
- The gun is not designed to be cleaned within an ultrasonic bath.
- If there is any doubt regarding the suitability of a specific material, contact your DeVilbiss Distributor or DeVilbiss direct.

START-UP SEQUENCE

- 1 Connect the gun to a clean, moisture and oil free air supply using a conductive hose of at least 8mm I.D.
- 2 **Suction**
Attach the cup lid assembly (62) to the fluid inlet connector (54). Position the yoke at right angles to the gun with the cam lever to the front. Make sure the vent hole in drip free diaphragm (60) is 180° to the lid vent hole.
- Pressure**
Connect the fluid supply hose to fluid inlet connector.
- 3 Mix coating material to Manufacturer's instructions and strain material.
- 4 Turn fluid adjusting knob (28) clockwise to prevent fluid needle movement.
- 5 Turn spreader valve adjusting knob (45) counter clockwise to fully open.
- 6 Adjust inlet air pressure if required.
- 7 Turn fluid adjusting knob counter clockwise until first thread shows.
- 8 Test spray. If the finish is too dry, reduce airflow by reducing air inlet pressure.
- 9 If finish is too wet, reduce fluid flow by turning fluid adjusting knob (28) clockwise. If atomisation is too coarse, increase air inlet pressure. If too fine, reduce inlet pressure.
- 10 The pattern size can be reduced by turning spreader valve knob (45) clockwise.
- 11 Hold gun perpendicular to surface being sprayed. Arcing or tilting may result in uneven coating.

START-UP SEQUENCE

- 12 The recommended spray distance is 150-200mm.
- 13 Spray edges first. Overlap each stroke a minimum of 75%. Move gun at a constant speed.
- 14 Always turn off air supply and relieve pressure when gun is not in use.

NOTE

Depending on hose length, larger I.D. hose may be required. Install an air gauge at the gun handle. When gun is triggered on, adjust regulated pressure as required. Do not use more pressure than is necessary to atomise the material being applied. Excess pressure will create additional overspray and reduce transfer efficiency.

NOTE


If quick connect couplings are required, use only high flow quick connects. Other types will not flow enough air for correct gun operation.

SPRAY GUN MAINTENANCE & CLEANING

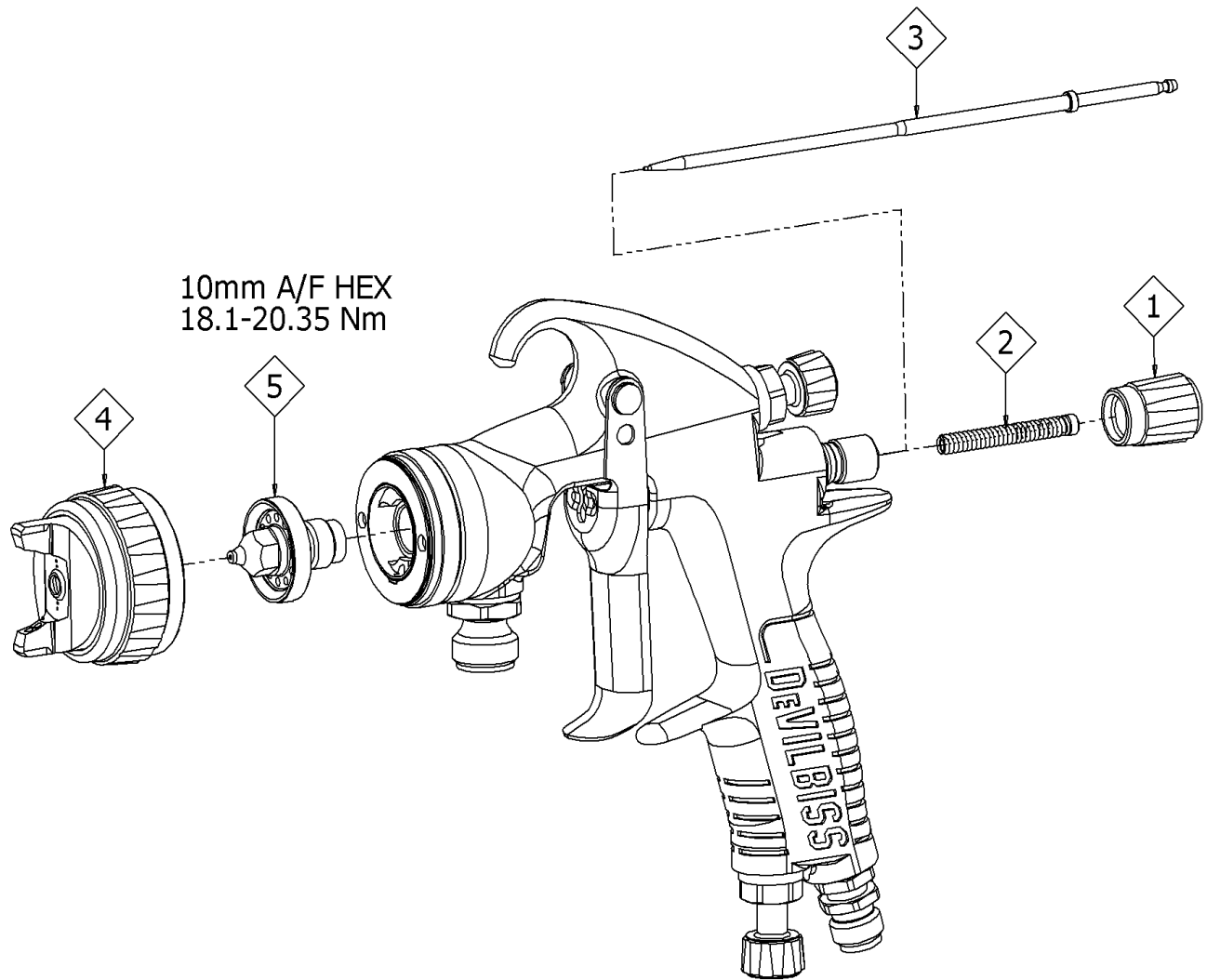
To clean air cap and fluid tip, brush exterior with a stiff bristle brush. If necessary to clean cap holes, use a broom straw or toothpick if possible. If a wire or hard instrument is used, extreme care must be taken to prevent scratching or burring of the holes which will cause a distorted spray pattern.

To clean fluid passages, remove excess material, then flush with gun wash solution. Wipe the gun exterior with a dampened cloth. Never completely immerse in any solvent or cleaning solutions as this is detrimental to the lubricants and life of the spray gun.

SPRAY GUN DISASSEMBLY / ASSEMBLY

KEY	
	Order for disassembly - see over page <i>(reverse for assembly)</i>
#	Item Number - see over page

DISASSEMBLY TIP & NEEDLE

**NOTE**

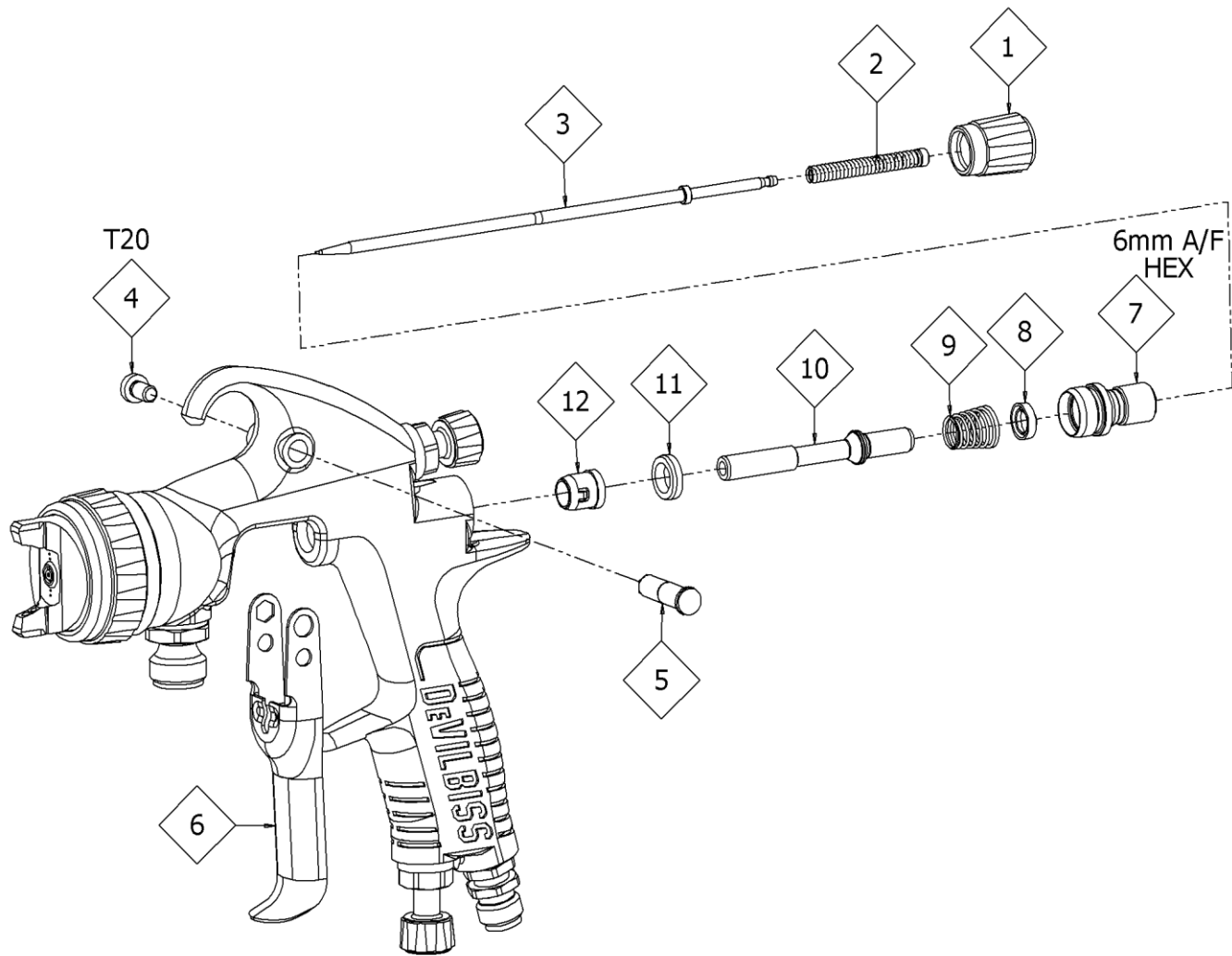
When replacing the fluid tip or fluid needle, replace tip, needle and fluid packing at the same time. Using worn parts can cause fluid leakage. Do not overtighten.

**CAUTION**

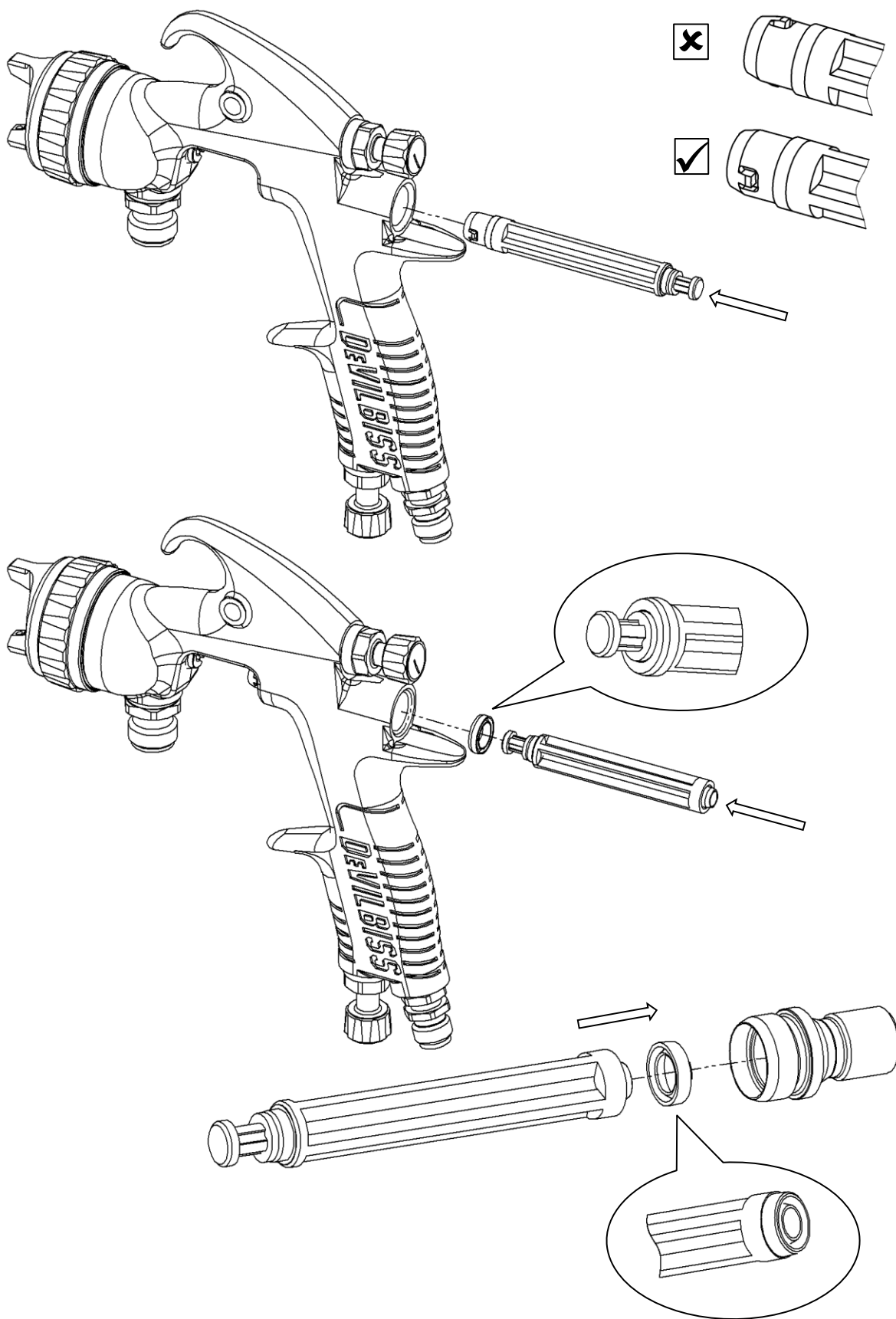
To prevent damage to fluid tip or fluid needle, be sure to either:

- 1 Pull the trigger and hold while tightening or loosening the fluid tip, or,
- 2 Remove the fluid adjusting knob to relieve spring pressure against needle collar.

DISASSEMBLY AIR VALVE

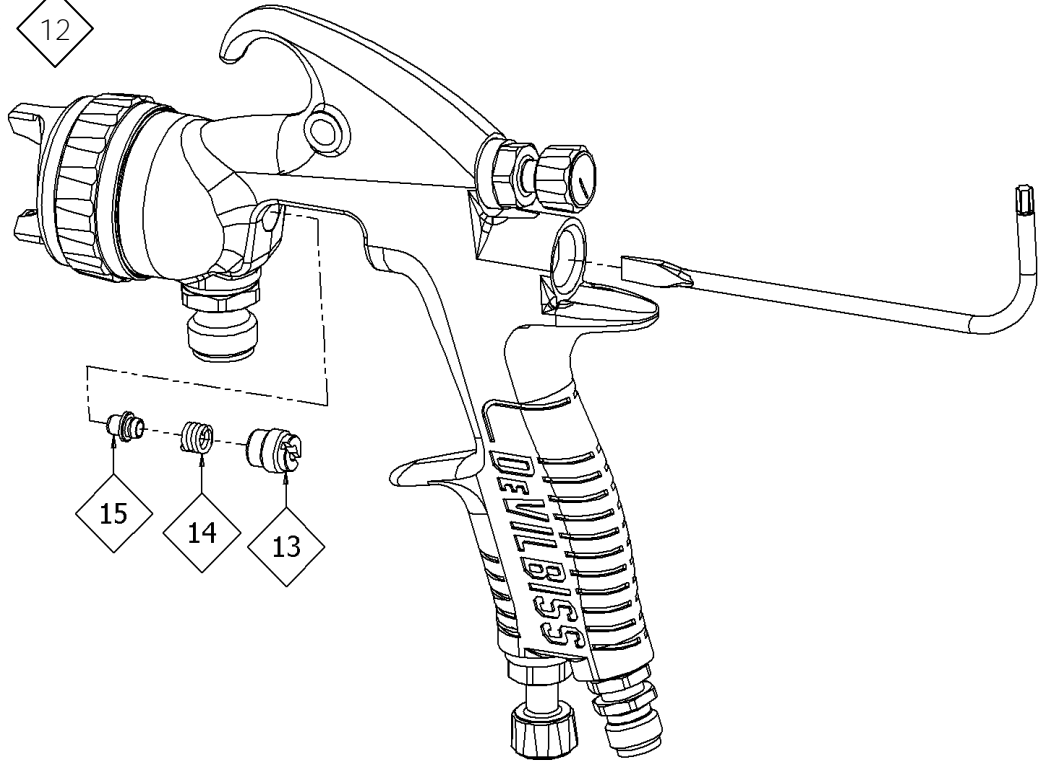
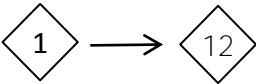


ASSEMBLY AIR VALVE SEALS

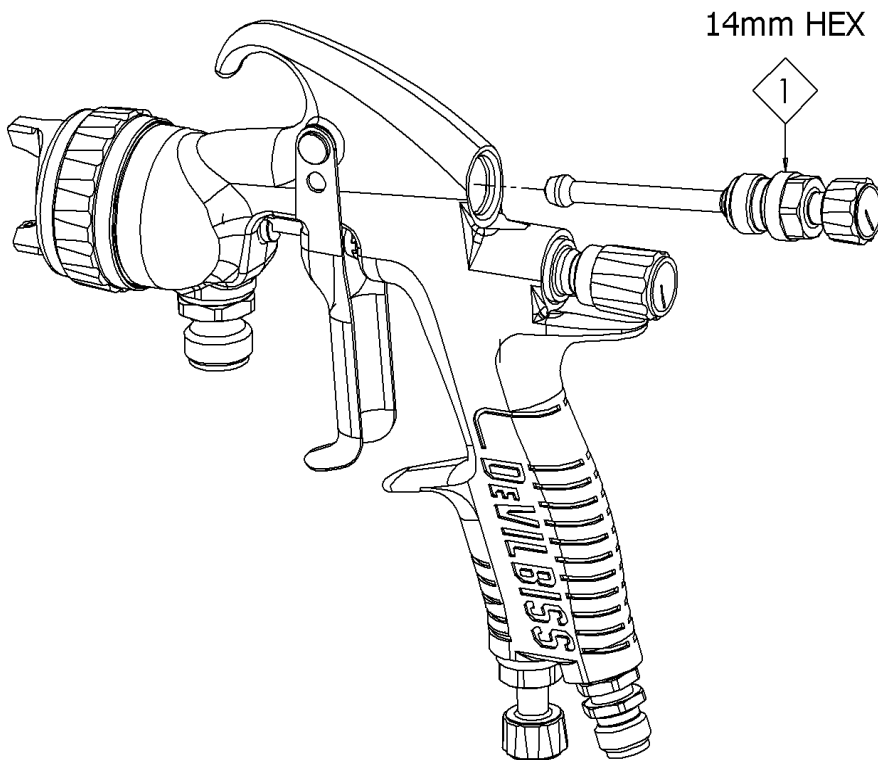


DISASSEMBLY PACKING

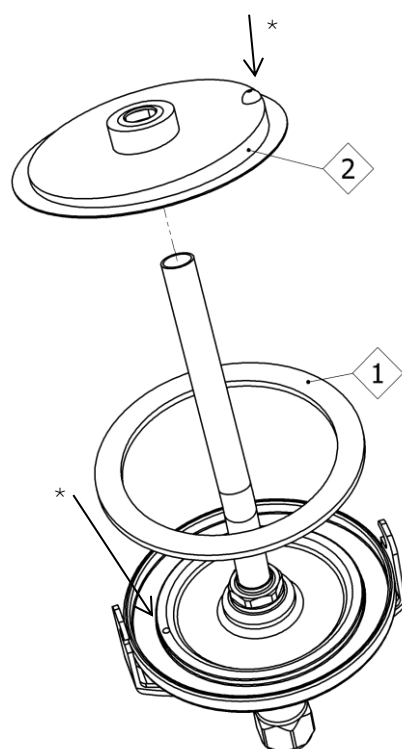
12/24 DISASSEMBLY AIR VALVE



SPREADER VALVE REPLACEMENT



SUCTION CUP LID



* VENT HOLE

NOTE

Remove and clean or replace the diaphragm (60) making sure the vent hole is clean and not blocked. It is recommended to replace the cup lid gasket (59) to avoid leakage. Re-assemble the diaphragm positioning the vent hole 180° to the vent hole in the lid (62), see diagram. Ensure the vent hole in the lid is also not blocked before use.

TROUBLESHOOTING MECHANICAL PERFORMANCE

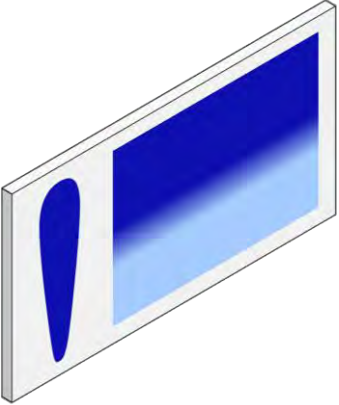
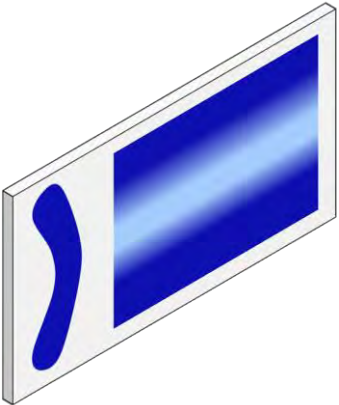
GENERAL FAULTS	CAUSE	CORRECTION
Will not spray.	No air pressure at gun.	Check air supply and air line.
	Fluid needle adjustment knob not open enough.	Open fluid needle adjustment knob.
Gun spits paint when triggering on and off.	Incorrect needle fitted to gun.	Check fluid tip/needle selection chart and fit correct item.
	Excessive needle wear.	Replace with new needle.
	Excessive fluid tip wear.	Replace with new fluid tip.
Gun spits paint when triggering on due to paint build-up inside air cap between spraying operations.	Fluid tip not fitted correctly in gun head.	Tighten.
	Fluid tip/needle leakage.	Check for damage or blockage.
Paint build-up on fluid tip.	Fluid tip not fitted correctly in gun head.	Tighten.
	Fluid tip/needle leakage.	Check for damage or blockage.
Paint build-up on air cap.	Damaged air cap holes.	Replace with new air cap.
	Gradual build-up of bounce-back on gun head.	Thoroughly clean.
Unable to get round spray	Fluid tip or sprayhead incorrectly fitted.	Remove, check components for damage and refit correctly.

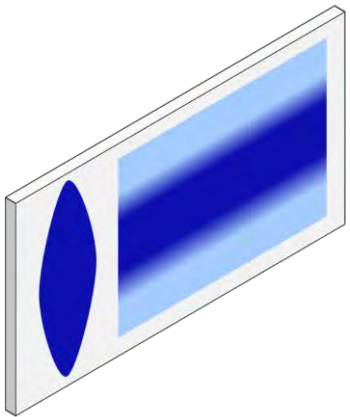
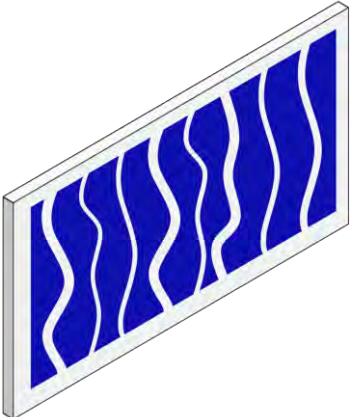
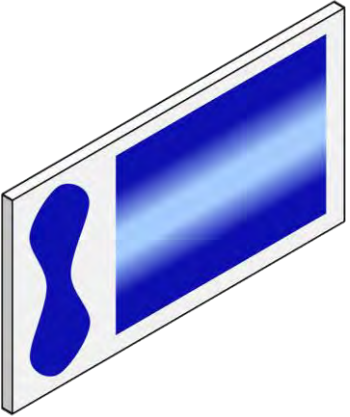
When removing air cap from retaining ring, do not remove the ring seat from the retaining ring. Damage to the parts may occur. Simply wipe parts clean and reassemble with new or clean air cap.

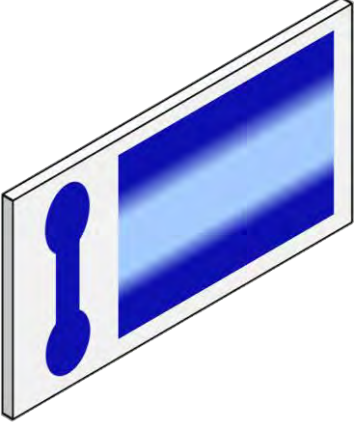
FLUID FAULTS	CAUSE	CORRECTION
Slow fluid leak from fluid tip and needle seat.	Fluid tip internal seat scored damaged or worn.	Replace.
	Fluid needle external profile damaged or worn.	Replace.
	Contamination on needle or tip mating surfaces preventing good seal.	Thoroughly clean.
	Incorrect fluid tip for fluid needle fitted to gun.	Check tip/needle selection chart and fit correct item.
	Sluggish needle.	Lubricate packing. (GL-1)
	Tight packing nut.	Adjust.
Major fluid leak or fluid jetting from fluid tip and needle seat.	Contamination on needle or tip mating surfaces preventing good seal.	Remove tip and needle and thoroughly clean.
	Incorrect fluid tip for fluid needle fitted to gun.	Check tip/needle selection chart and fit correct item.
Slow fluid leak from needle packing.	Fluid needle packing worn or loose.	Tighten or replace as necessary.

AIR FAULTS	CAUSE	CORRECTION
Small air leak from air cap when gun is not triggered.	Air Valve Stem contaminated and not correctly seating.	Remove Air Valve Stem and thoroughly clean valve shaft and seating surfaces.
	Air Valve Stem seal damaged or missing.	Replace.

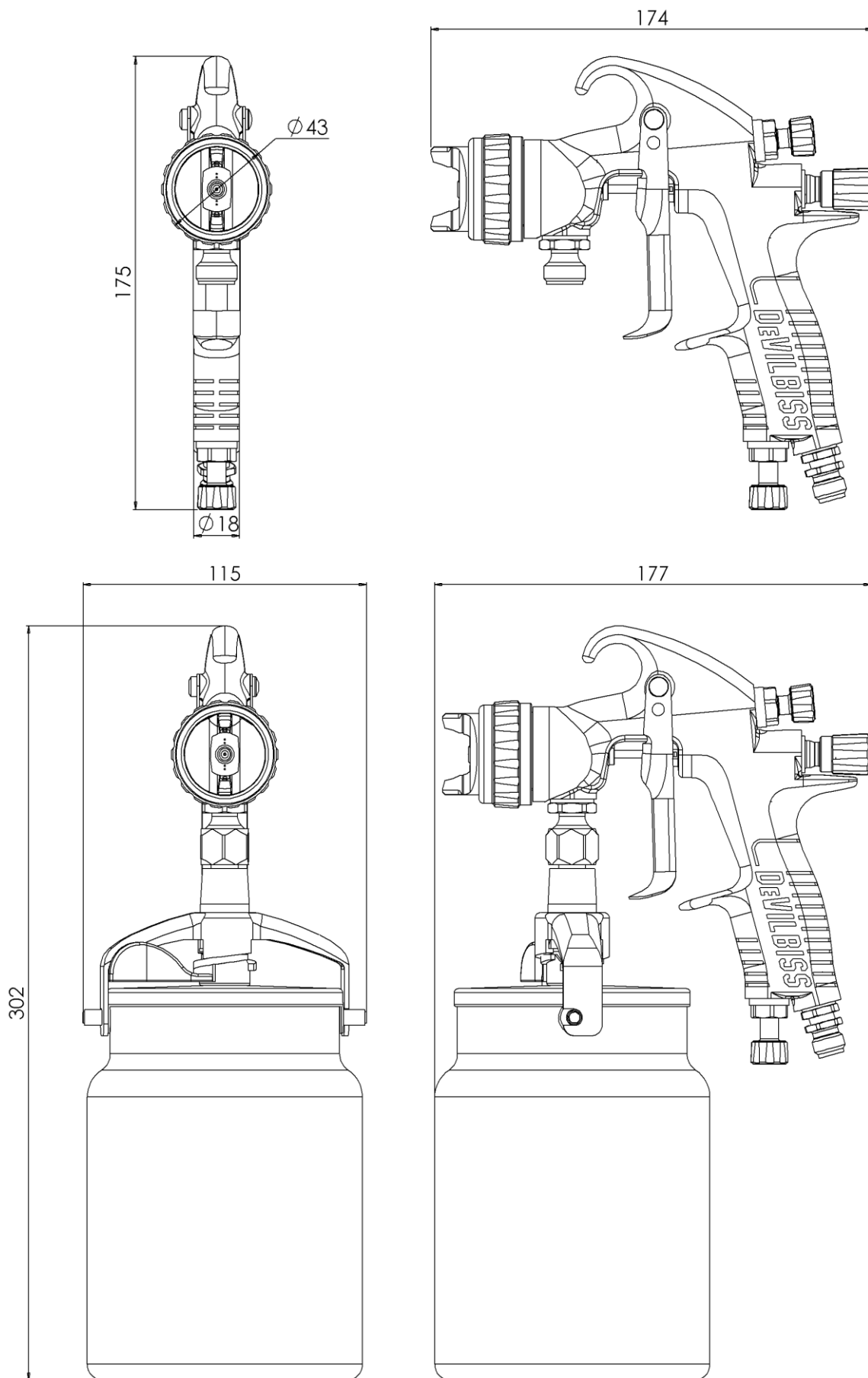
TROUBLESHOOTING SPRAY PERFORMANCE

CONDITION	CAUSE	CORRECTION
Heavy top or bottom pattern. 	Material build-up on air cap, plugged horn holes, centre holes or jets.	Soak cap or tip in suitable solvent and thoroughly clean.
	Material build-up on fluid tip exterior or partially plugged fluid tip.	Replace fluid tip or air cap if necessary.
	Fluid tip or cap dirty or damaged.	Replace fluid tip or air cap if necessary.
Heavy right or left side pattern. 	Left or right side horn holes plugged.	Soak cap or tip in suitable solvent and thoroughly clean.
	Dirt or damage on left or right side of fluid tip exterior.	Replace fluid tip or air cap if necessary.
Remedies for the top-heavy, bottom-heavy, right-heavy and left-heavy patterns.		
Determine if the obstruction is on the air cap or the fluid tip. Do this by making a test spray pattern. Then, rotate the cap one-half turn and spray another pattern. If the defect is inverted, obstruction is on the air cap. Clean the air cap as previously instructed. Also check for dried paint just inside the cap centre hole opening, remove by washing with solvent.		
If the defect is not inverted, it is on the fluid tip. Clean tip. If problem persists, renew tip.		

<p>Heavy centre pattern.</p> 	<p>Pattern adjustment valve set too low.</p>	<p>Turn out counter clockwise to achieve correct pattern.</p>
	<p>Too much material.</p>	<p>Reduce fluid flow by turning fluid needle adjusting screw clockwise. Reduce fluid pressure.</p>
	<p>Material too thick.</p>	<p>Thin to correct consistency.</p>
	<p>Atomising air pressure too low.</p>	<p>Increase air pressure.</p>
<p>Intermittent or 'fluttering' spray fan.</p> 	<p>Loose fluid tip.</p>	<p>Tighten.</p>
	<p>Fluid tip not seated correctly in gun head.</p>	<p>Remove fluid tip, clean components, check cone seating on tip and gun for damage or contamination.</p>
<p>Split spray pattern</p> 	<p>Not enough material flow.</p>	<p>Increase fluid flow by changing fluid tip size, opening needle control knob or increase fluid pressure on pressure feed container.</p>
	<p>Too high horn pressure.</p>	<p>Reduce air pressure by rotating pattern control valve clockwise.</p>
	<p>Too much air for fluid quantity used.</p>	<p>Reduce input air pressure.</p>

<p>Ball end heavy pattern.</p> 	<p>Too much fluid flow.</p>	<p>Change fluid tip for smaller size or change air cap for different specification air cap.</p>
<p>Excessive bounce-back.</p>	<p>Too much atomisation air pressure.</p>	<p>Reduce air pressure.</p>
	<p>Gun too far from surface.</p>	<p>Check distance (normally 150-200mm).</p>
<p>Runs and sags.</p>	<p>Too much fluid flow.</p>	<p>Adjust gun or reduce fluid pressure.</p>
	<p>Material too thin.</p>	<p>Mix properly or apply light coats/reduce fluid flow.</p>
	<p>Gun tilted at an angle.</p>	<p>Mount gun at right angle to work.</p>
<p>Thin, sandy coarse finish drying before it flows out.</p>	<p>Gun too far from surface.</p>	<p>Check distance.</p>
	<p>Too much air pressure.</p>	<p>Reduce air pressure and check spray pattern.</p>
	<p>Fluid flow too low.</p>	<p>Increase fluid flow by changing fluid tip size, supply pressure or turning needle control knob counter clockwise.</p>

DIMENSIONS



NOTES

WARRANTY POLICY

DeVilbiss products are covered by Finishing Brands one year materials and workmanship limited warranty. The use of any parts or accessories, from a source other than Finishing Brands, will void all warranties. For specific warranty information please contact the closest Finishing Brands location listed below.

Finishing Brands reserves the right to modify equipment specifications without prior notice. DeVilbiss®, Ransburg®, BGK®, and Binks® are registered trademarks of Carlisle Fluid Technologies, Inc., dba Finishing Brands.

© 2016 Carlisle Fluid Technologies, Inc., dba Finishing Brands.
All rights reserved.



DeVilbiss is part of Finishing Brands, a global leader in innovative spray finishing technologies. For technical assistance or to locate an authorised distributor, contact one of our international sales and customer support locations below.

USA/Canada

www.devilbiss.com
info@carlisleleft.com
Toll Free Tel: 1-800-992-4657
Toll Free Fax: 1-888-246-5732

Mexico

www.carlisleleft.com.mx
ventas@carlisleleft.com.mx
Tel: 011 52 55 5321 2300
Fax: 011 52 55 5310 4790

Brazil

www.devilbiss.com.br
vendas@carlisleleft.com.br
Tel: +55 11 5641 2776
Fax: +55 11 5641 1256

United Kingdom

www.finishingbrands.eu
info@carlisleleft.eu
Tel: +44 (0)1202 571 111
Fax: +44 (0)1202 573 488

France

www.finishingbrands.eu
info@carlisleleft.eu
Tel: +33(0)475 75 27 00
Fax: +33(0)475 75 27 59

Germany

www.finishingbrands.eu
info@carlisleleft.eu
Tel: +49 (0) 6074 403 1
Fax: +49 (0) 6074 403 281

China

www.finishingbrands.com.cn
mkt@carlisleleft.com.cn
Tel: +8621-3373 0108
Fax: +8621-3373 0308

Japan

www.ransburg.co.jp
overseas-sales@carlisleleft.co.jp
Tel: 081 45 785 6421
Fax: 081 45 785 6517

Australia

www.finishingbrands.com.au
sales@carlisleleft.com.au
Tel: +61 (0) 2 8525 7555
Fax: +61 (0) 2 8525 7575

