



Better Lighting Solution For Area



RoHS
compliant

NEW DESIGN

With visor, low spill light
With metal mesh, IK10
Asymmetric optics
High brightness up to 150lm/w



Tempered Glass
PMMA lens
Die-cast aluminum



150LM/W

Easy installation



IP66



IK10

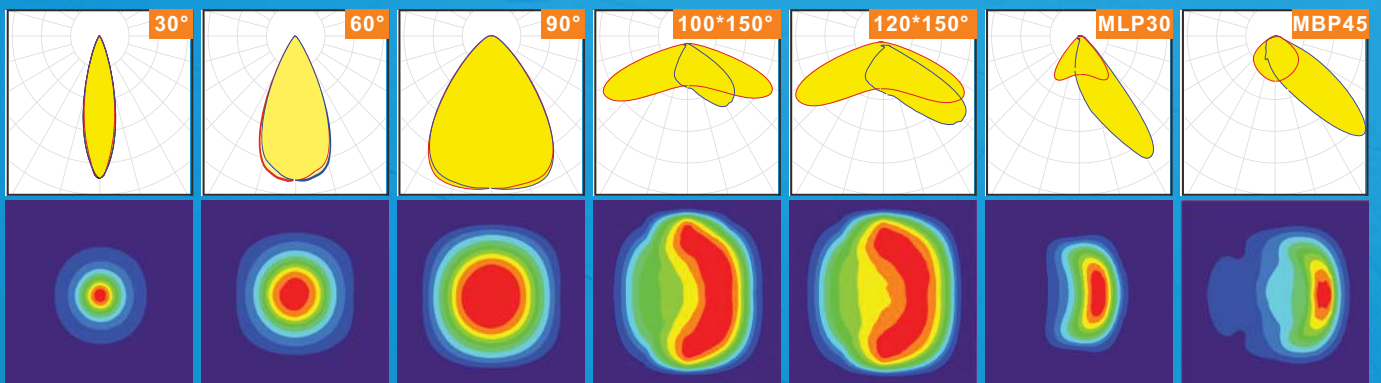
Visor

Asymmetric polarized optics and visor work together to minimize glare, back light, and spill light.



Optics

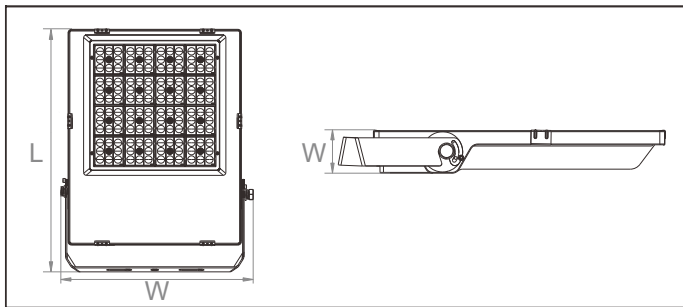
Special designed optics are used for different height and space. They will not only improve the lux and uniformity, but also minimize glare light.



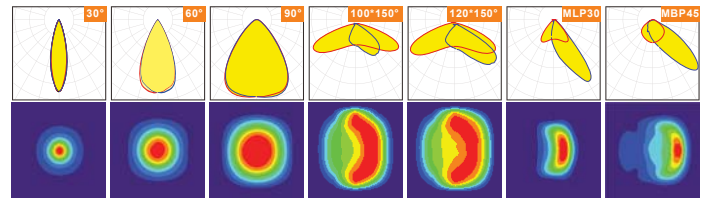


Features

- Housing: Die Cast Aluminum
- Thermal Conductivity: 96 W/m·K
- Led: Cree 3030
- CRI: Ra>70
- SDCM: <6
- Power Factor: >0.95
- THD: <15
- Driver: Meanwell
- Driver Efficiency: >93%
- Protection: OTP, OCP, OVP, SCP
- Surge Protection: 6KV
- Waterproof: IP66
- Impact Test: IK08&IK10
- Electrical: 100-277V, 50/60Hz
- Operating Temperature: -40~50°C
- TM21: L90B10>50,000H
- Lifetime: 50,000H

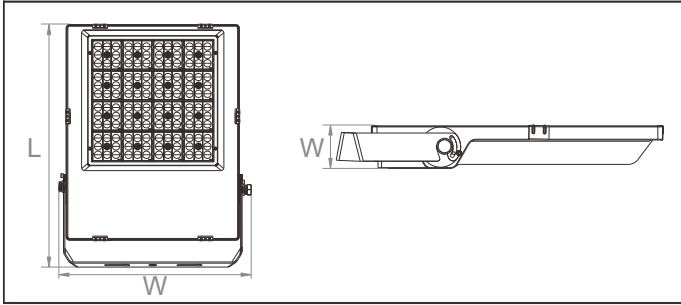


Optical options:



	Watt	Voltage	Lumen	CRI	IP	Dimension
-	100W	100~277V	15000LM	>70	IP66	292*246*53
-	150W	100~277V	22500LM	>70	IP66	336*264*53
-	200W	100~277V	30000LM	>70	IP66	407*328*53
-	240W	100~277V	36000LM	>70	IP66	407*328*53
	300W	100~277V	45000LM	>70	IP66	496*411*71
	400W	100~277V	60000LM	>70	IP66	496*411*71

Packing



Luminaire

L	Outer Carton(mm)			QTY / Outer CTN	Luminaire	
	W	H	NW(kg)		GW(kg)	
370	275	105	1	2.50	2.90	
415	330	120	1	3.30	3.80	
485	385	140	1	5.20	5.80	
485	385	140	1	5.45	6.10	
586	473	165	1	9.60	10.20	
586	473	165	1	9.60	10.20	