

Tennis Court Light

Anti-glaring



*You think the light is ok
cause you never had another option*



Anti-glare, low UGR

Unique new for tennis court

BEFORE



AFTER



Specially designed linear asymmetrical optics, our linear tennis court lights have advanced advantages compared to traditional floodlights. Light softer, and much improved uniformity.



**One beam angle(P70) apply to all tennis courts,
no extra stock costs**



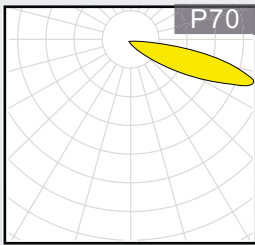
**No shadow
No glare light
No back light**



anti-glaring



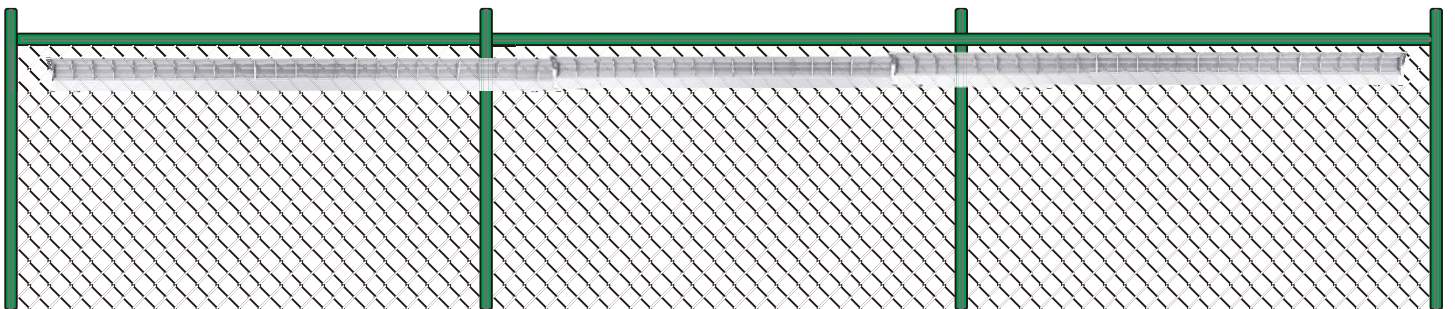
Special design is used for our tennis linear light, with a shield in front to minimize the glare and makes the light uniformity distribution, which will help players to give a nice ball back.



Polarized light output from reflecting structure offers best uniformity and lux.

Easy Installation and maintenance

More savings on labor cost and material cost



No need poles



No need machine



No need engineers

For Single Tennis Play Area

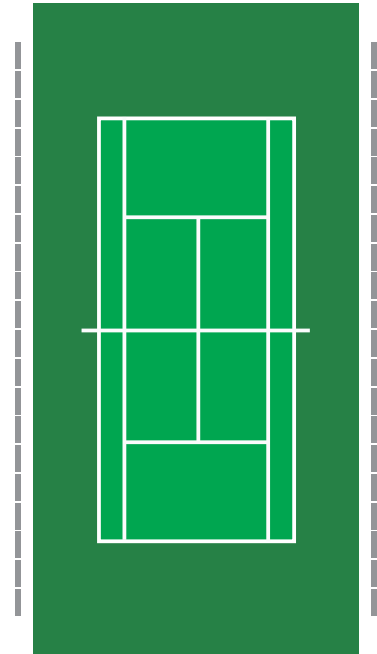
Solution: Class II, 300lx

2 lines of 20 pcs 43W

Power option: 1720W

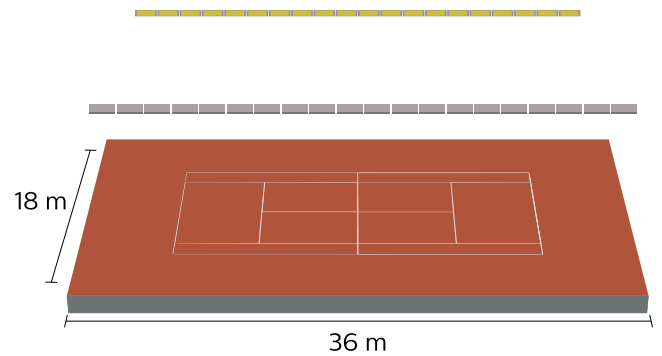
Lux: 300lx

Uniformity: >0.7



Level of competition

| | Class | | |
|-------------------------|-------|----|-----|
| | I | II | III |
| International/ National | ● | | |
| Regional | ● | ● | |
| Local | ● | ● | ● |
| Training | | ● | ● |
| Recreational | | | ● |

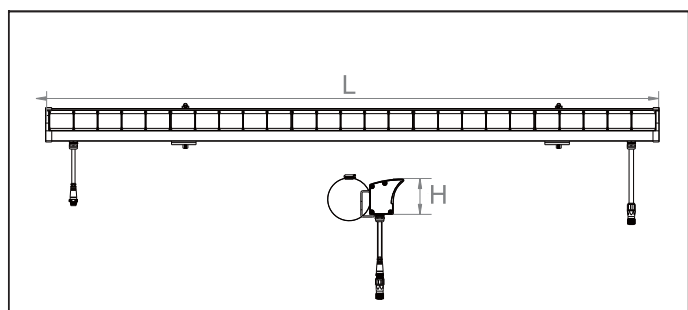




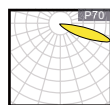
Europe Version

Features

- Housing: Pure Aluminum
- Thermal Conductivity: 226 W/m·K
- Led: Philips
- CRI: Ra>70
- SDCM: <6
- Power Factor: >0.95
- THD: <15
- Driver: Osram
- Driver Efficiency: >93%
- Protection: OTP, OCP, OVP, SCP
- Waterproof: IP65
- Impact Test: IK08
- Electrical: 220-240V, 50/60Hz
- Operating Temperature: -40~50°C
- TM21: L90B10>50,000H
- Lifetime: 50,000H



Optical options:



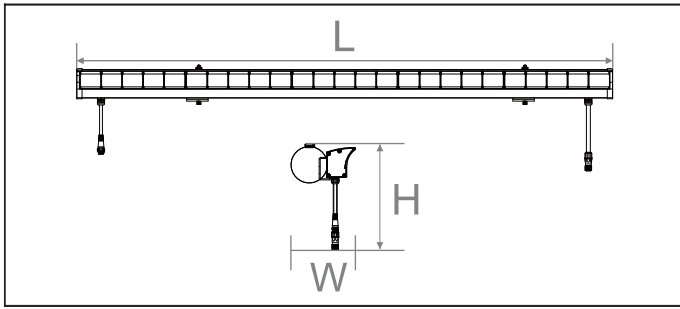
150lm/w

Osram Driver

Philips LED

| Watt | Voltage | Effi (lm/w) | CRI | Power factor | IP | IK | Size L*W*H(mm) |
|------|----------|--------------|-----|--------------|------|------|----------------|
| 43W | 220~240V | 150lm/w | >70 | >0.95 | IP65 | IK08 | 1511*117*83 |

Packing



| L | Outer Carton(mm) | | H | QTY / Outer CTN | NW(kg) | GW(kg) |
|------|------------------|--|-----|--------------------|--------|--------|
| | W | | | | | |
| 1530 | 145 | | 145 | 1 | 4.90 | 5.50 |