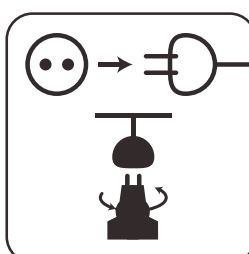
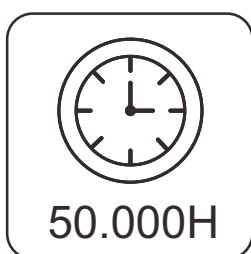


LED HIGH BAY WHITE



EUROPEAN DESIGN PATENT



Better Performance



Unique design & Anti-glaring Lens



Unique Appearance Design
less market competition



Old Appearance Design
too much market competition



Anti-Glareing
more eye-protection




Normal High Bay
high glaring



Efficiency

160lm/w



Philips LED + Sosen Driver
Long Lifetime

CE RoHS compliant

LM 79

LM 80

TM 21



Features

Housing: Die-cast

Thermal Conductivity: 96 W/m

Led: Philips

CRI: Ra>80

SDCM: <6

Power Factor: >0.95

THD: <15

Driver: Sosen

Driver Efficiency: >93%

Protection: OTP, OCP, OVP, SCP

Surge Protection: 4KV

Waterproof: IP65

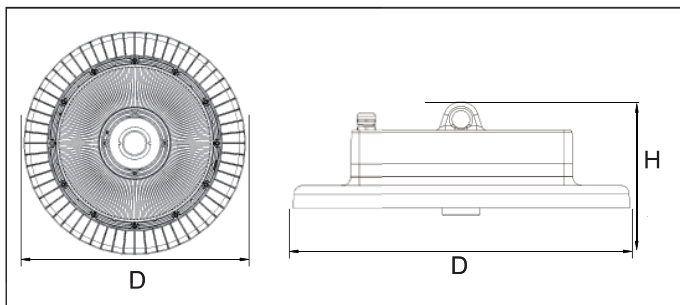
Impact Test: IK08

Electrical: 100-277V, 50/60Hz

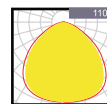
Operating Temperature: -40~60 °C

TM21: L80B10>50,000H

Lifetime: 50,000H



Optical:



160 lm/w

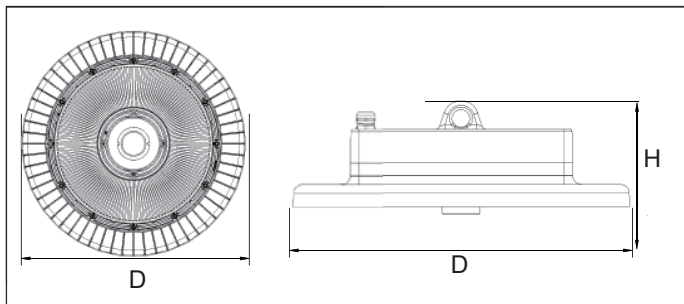
Sosen Driver

Philips LED

Watt	Voltage	Lumen	CRI	IP	Dimension
100W	100~277V	16000LM	>80	IP65	D380*H130mm
150W	100~277V	24000LM	>80	IP65	D380*H130mm
200W	100~277V	32000LM	>80	IP65	D380*H130mm



Packing



Outer Carton(mm)			QTY / CTN	NW/CTN	GW/CTN
450	450	170	1	2.50	3.70
450	450	170	1	2.60	3.80
450	450	170	1	2.70	3.90