



Redefine Anti-Glaring

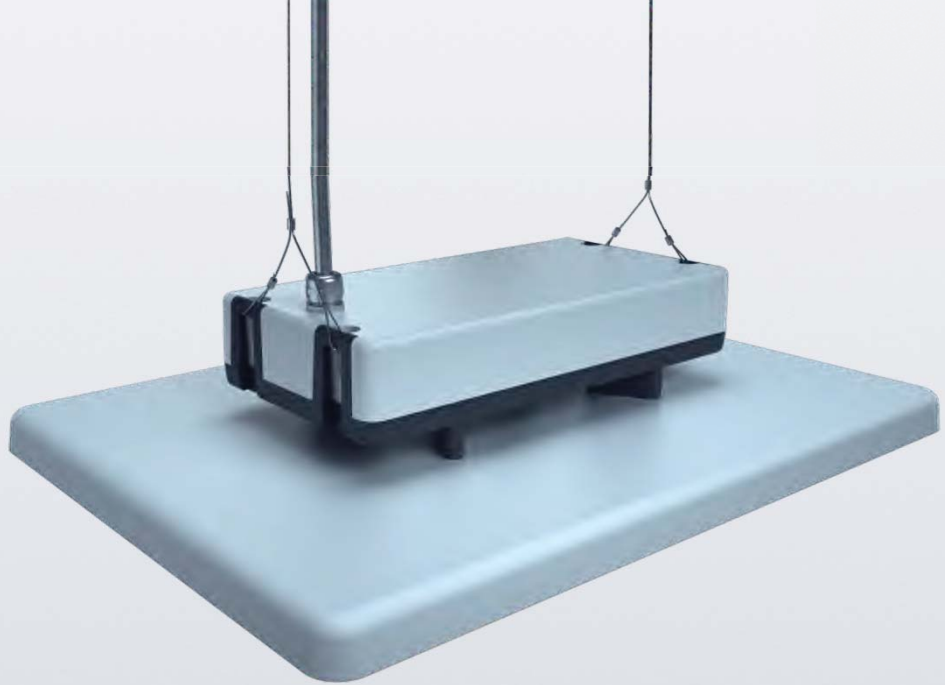
Anti-glaring light is required more and more for applications where people doesn't feel comfortable with the glaring light, especially when the light were not very high.



160LM/W



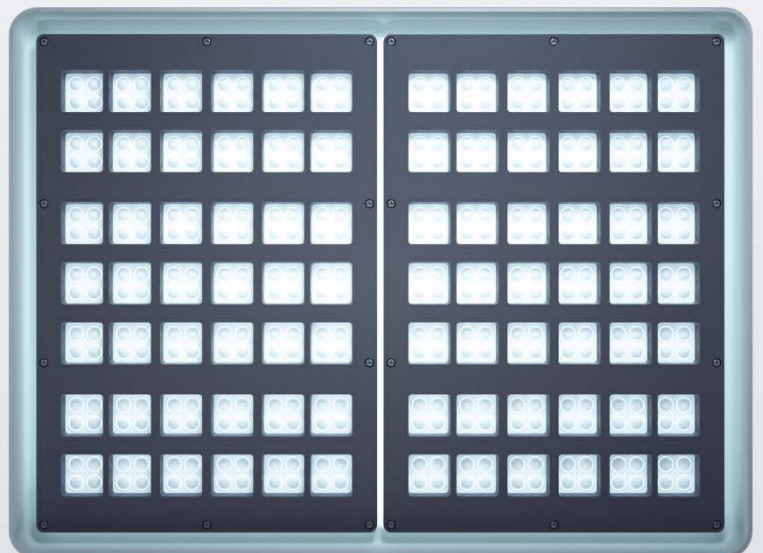
**Anti
Glaring**

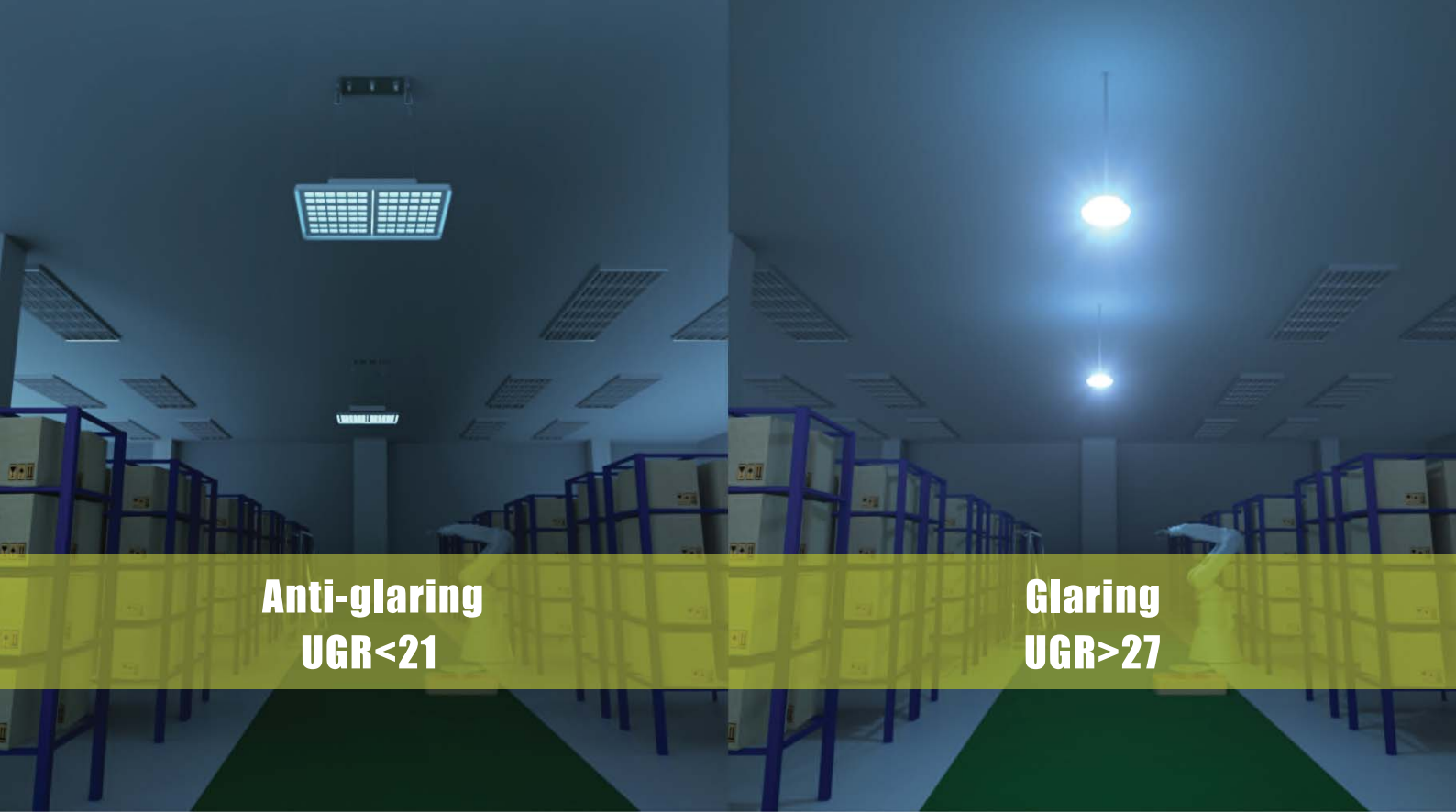


**160LM/W
UGR<21**

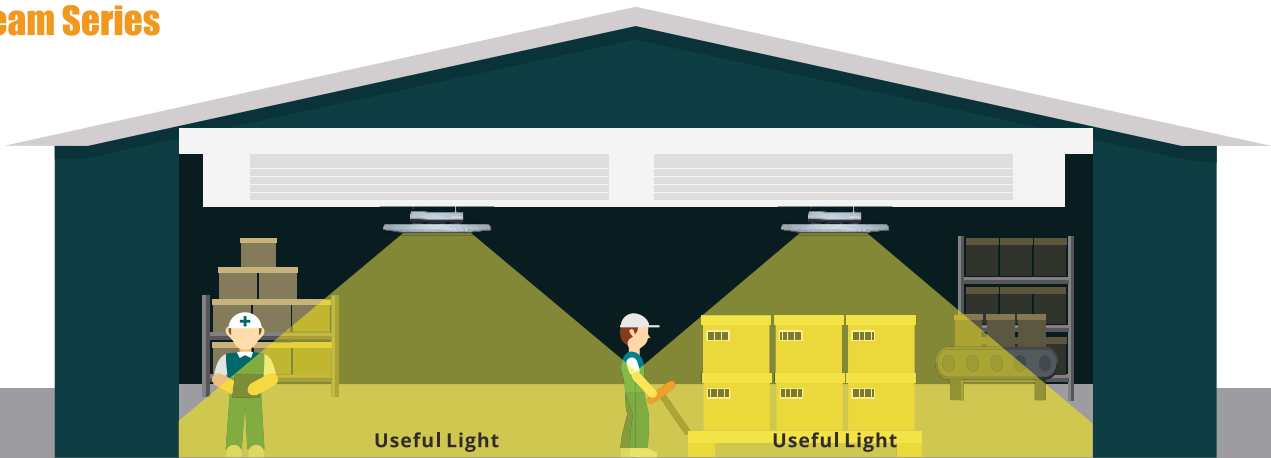
Advanced UGR technology

The Optics was specially developed to minimize glare and maximize homogeneity. With an anti-glaring film on the lens and a shield in front, we managed to achieve UGR<19

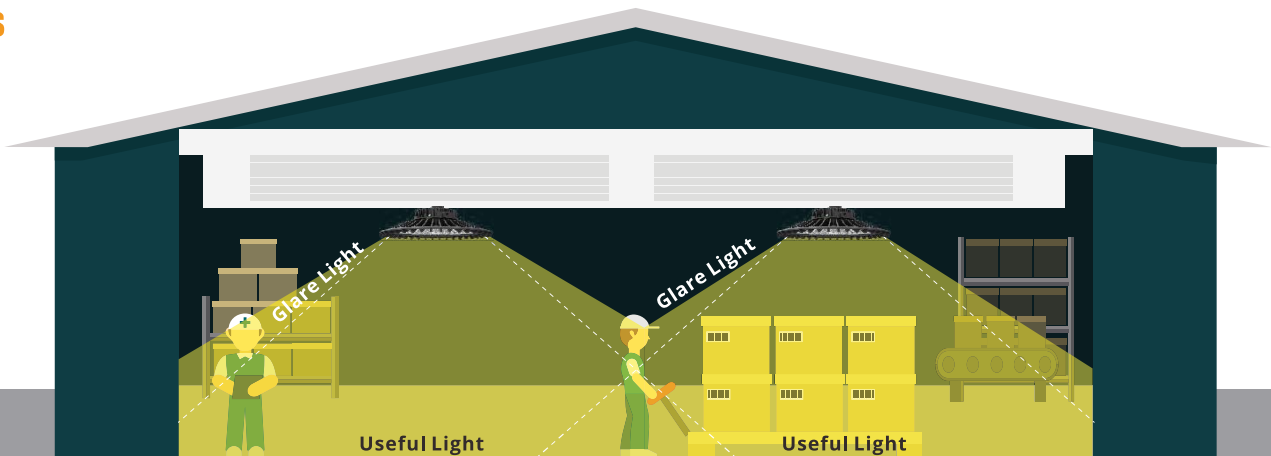


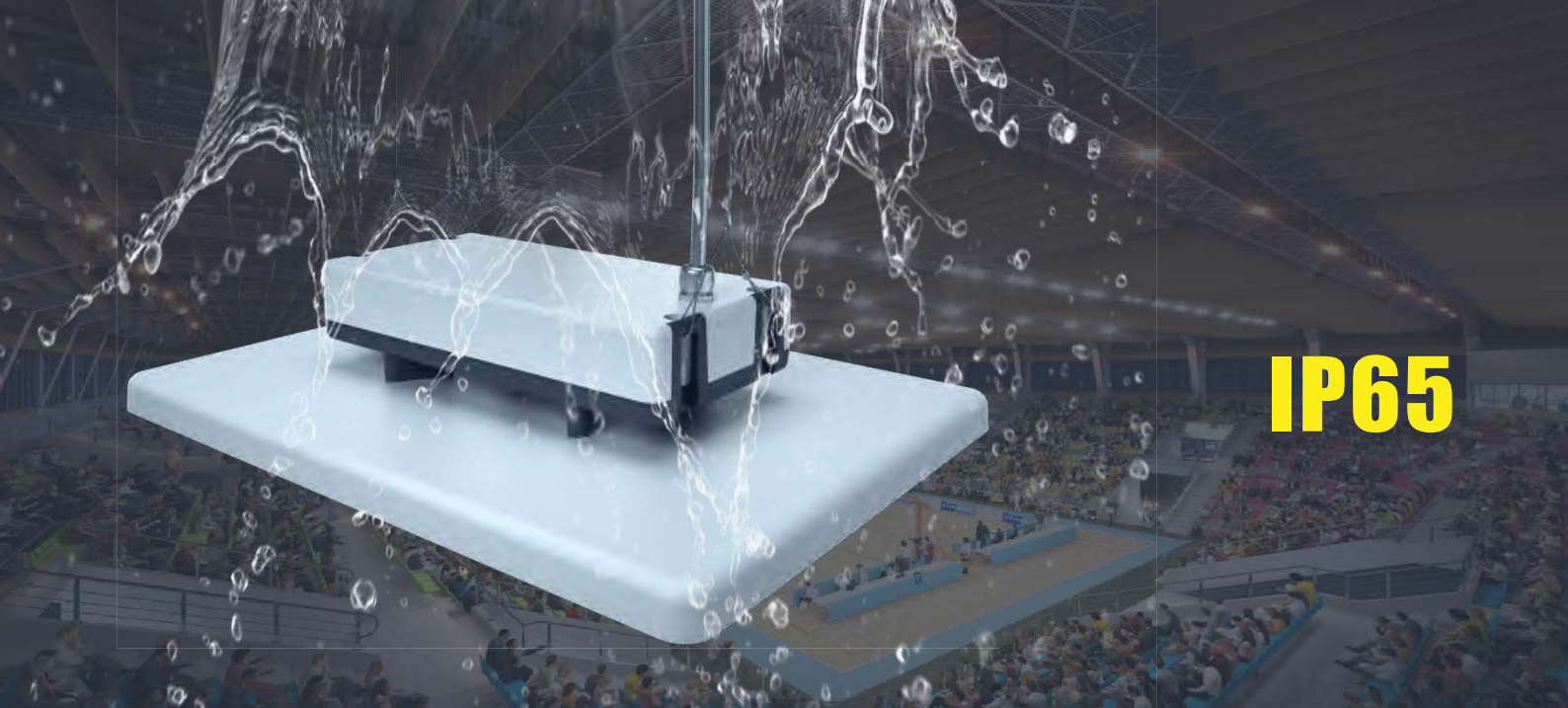


Mildbeam Series



Others





IP65



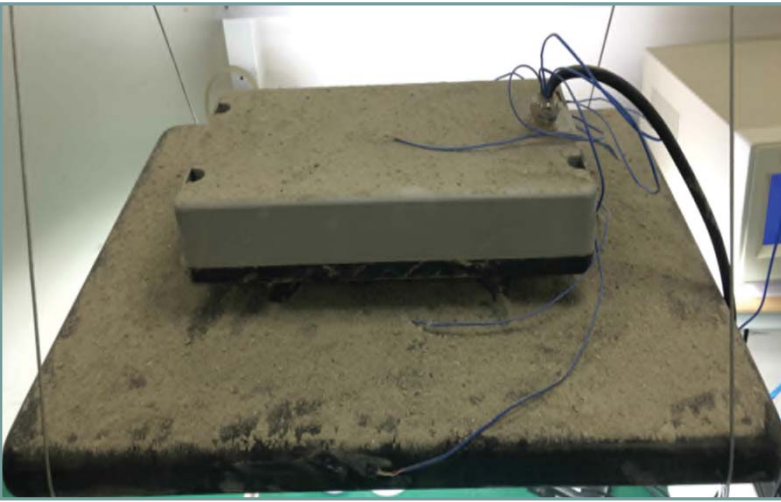
IK10



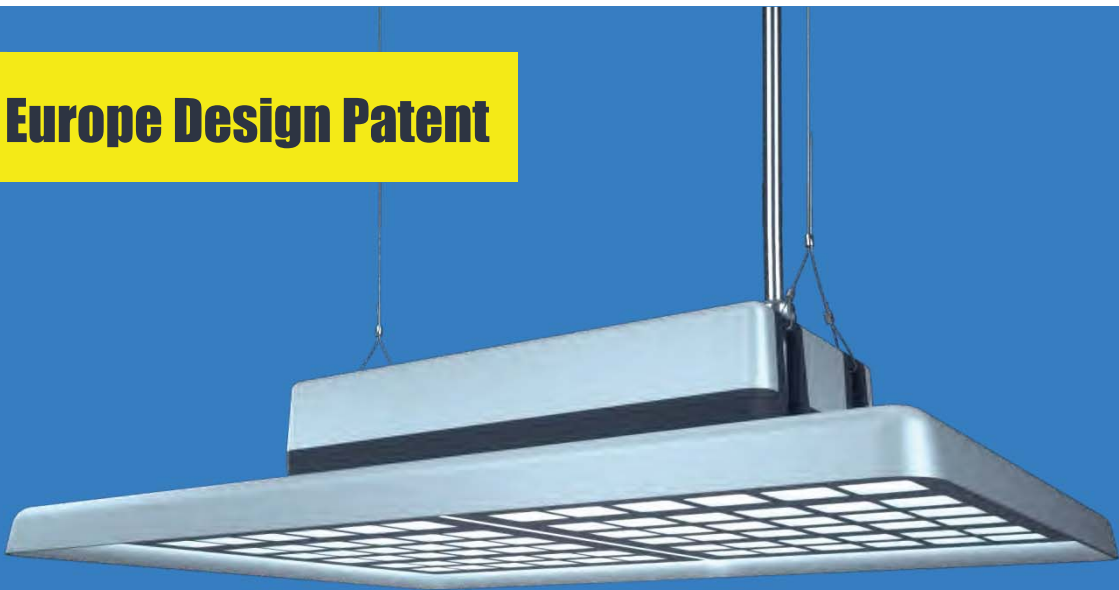
PERFECT FOR STADIUM

Excellent Heat Dissipation

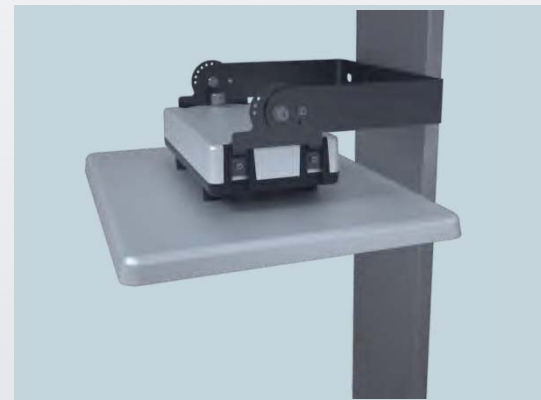
In order to simulate that under dusty working environment for 5 years time, the whole fixture was fulfilled with dust. Then the temperature of LED and Driver Tc increase 2 degrees only.



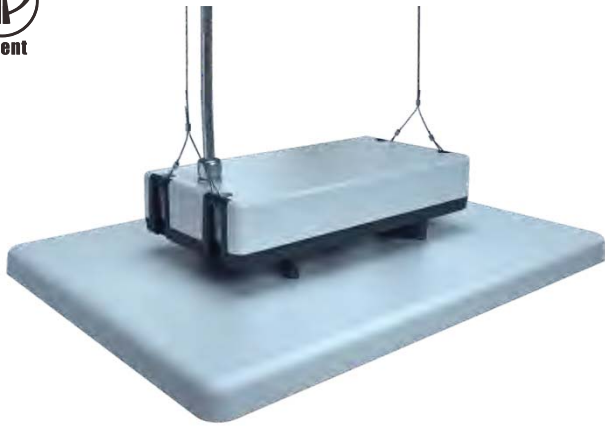
Europe Design Patent



Simple installation



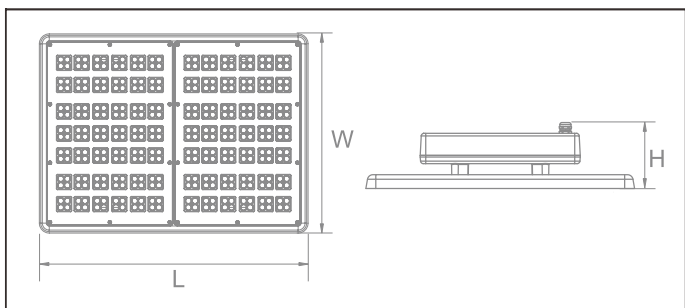
With ceiling installation accessory equipped with mains lead, the two suspension points at the ceiling could be combined to One-Point installation. This saves time and cost for installation. And even vibrations and air movements are no longer able to twist it.



160LM/W

Features

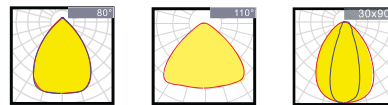
- Housing: Pure Aluminum
- Thermal Conductivity: 226 W/m·K
- Led: CREE JK 3030
- CRI: Ra>80
- SDCM: <6
- Power Factor: >0.95
- THD: <15
- Driver: Osram
- Driver Efficiency: >93%
- Protection: OTP, OCP, OVP, SCP
- Surge Protection: 10KV
- Waterproof: IP65
- Impact Test: IK10
- Electrical: 220-240V, 50/60Hz
- Operating Temperature: -40~50°C
- Tm21: L90B10>50,000H
- Lifetime: 50,000H



Functions

ZigBee · PWM · DALI · 0/1~10V · Micro-wave

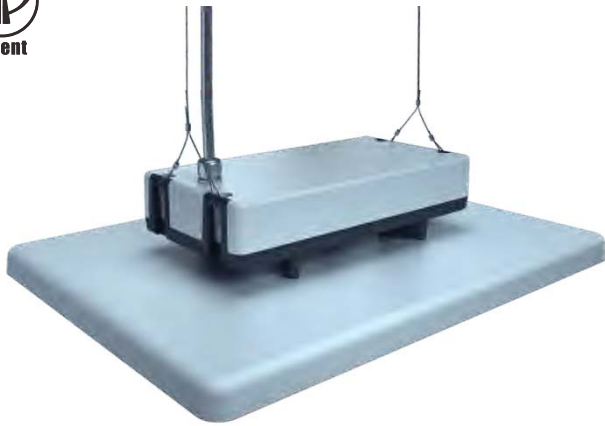
Optical options:



160lm/w

Osram Driver

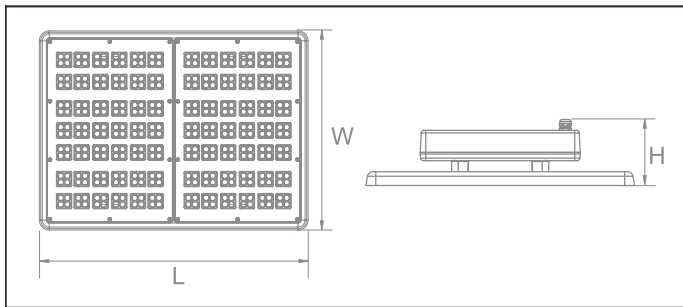
CREE LED



160LM/W

Features

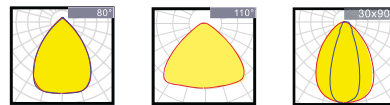
- Housing: Pure Aluminum
- Thermal Conductivity: 226 W/m·K
- Led: Philips
- CRI: Ra>8
- SDCM: <6
- Power Factor: >0.95
- THD: <15
- Driver: Sosen
- Driver Efficiency: >93%
- Protection: OTP, OCP, OVP, SCP
- Surge Protection: 4KV
- Waterproof: IP65
- Impact Test: IK10
- Electrical: 100-277V, 50/60Hz
- Operating Temperature: -40~50°C
- Tm21: L90B10>50,000H
- Lifetime: 50,000H



Functions

ZigBee · PWM · DALI · 0/1~10V · Micro-wave

Optical options:



160lm/w

Sosen Driver

Philips LED

