



IP69K Waterproof light

Corrosion Protection IP69k led Tri proof light is one of our most popular products because of its high quality and superior performance. Not only does it offer an extensive application range from commercial to industrial for any retrofit or new installation, but it is also a genuine champion for being energy-efficient and cost-effective.



IP69K

IP69K waterproof
PMMA housing
Stainless steel end cap
150lm/w

PMMA IP69K

150LM/W

Bridgelux led and Osram driver



IP69K





IP69K

IP69K is the highest level of this protection and is designed for applications where water jets are under high pressure and high temperature are used for specific wash-downs.



PMMA Housing

Due to the risk of corrosion by contact with the alkaline environments created in the humid atmosphere, PMMA material housing and stainless steel end cap are used to provide better corrosion proof, waterproof, and lifetime.

This will also include special sensitization and chemical cleaning. In some instances, the cleaning process involves very intensive requirements for industries such as Food & Beverage as well as the vehicle industry.



Corrosion Proof

Light is an important aspect of any animal's environment. Studies have shown an increase in growth and reproductive performance due to light exposure. Modern farm lighting systems should attempt to mimic the sun's spectrum, however many poultry producers still utilize old residential and commercial incandescent lamps in their barns. The problem with this is that incandescent bulbs don't do a good job of replicating sunlight. LEDs are the most efficient and environmentally friendly of the agricultural lighting options, producing a continuous white light spectrum unlike any other artificial light source by combining a blue LED with red and green phosphors.

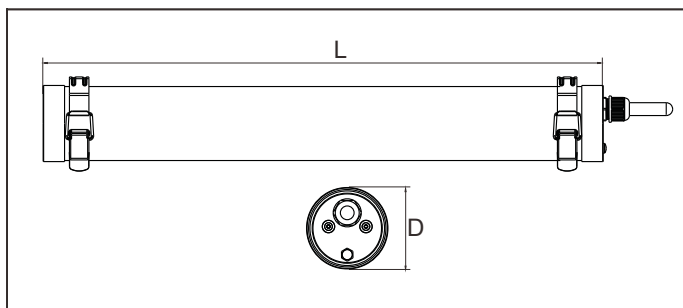
Easy
Installation



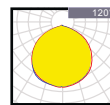


Features

Housing: PMMA
 Thermal Conductivity: 226 W/m·K
 Led: Bridgelux
 CRI: Ra>80
 SDCM: <6
 Power Factor: >0.90
 THD: <15
 Driver: Osram
 Driver Efficiency: >90%
 Protection: OTP, OCP, OVP, SCP
 Surge Protection: 2KV
 Waterproof: IP69K
 Impact Test: IK08
 Electrical: 220-240V, 50/60Hz
 Operating Temperature: -20~45C°
 TM21: L80B10>50,000H
 Lifetime: 50,000H



Optical options:



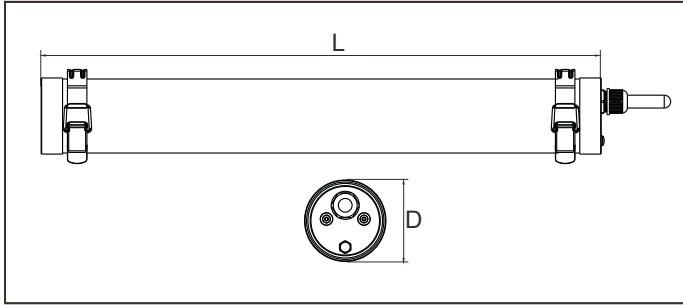
150lm/w

Osram Driver

Bridgelux LED

| Watt | Voltage | Lumen | CRI | IP | Dimension |
|------|----------|--------|-----|-------|-------------|
| 60W | 220~240V | 9000LM | >80 | IP69K | L1500*D81MM |

Packing



| Dimension (mm) | Inner Carton(mm) | | | QTY / Inner CTN | Outer Carton(mm) | | | QTY / Outer CTN | NW/ CTN | GW/ CTN |
|-------------------|------------------|----|----|--------------------|------------------|-----|-----|--------------------|------------|------------|
| L1500*D81 | 1600 | 84 | 84 | 1 | 1615 | 272 | 183 | 6 | 13.80 | 15.70 |