



## Better Lighting Solution For Sport Field

Professional high mast light is required more and more for applications of sport field as it influences players' performance and contributes to the proper arbitrage. Spectators should enjoy the match safely and without inconvenience caused by glare effects or an uneven light.

Our optical system has been designed to ensure high power but minimize glare. And visor system is used to avoid back light and spill light.

## Best Light For Stadium

Low Glare  
Low back light, low spill light  
Asymmetric optics  
Europe Design Patent



Tempered Glass  
PMMA lens  
Pure aluminum  
Best heat dissipation



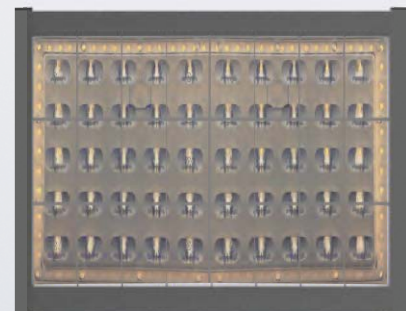
After 5 years



PMMA lens+Tempered Glass  
Best UV resistance



After 2 years



PC Lens, without glass  
Low UV resistance





**160LM/W**

Driver: Inventronic  
LED: Cree

Precise Angle Rotation



**Laser Sight**

Easily adjust the direction of illumination to achieve maximum lux and uniformity

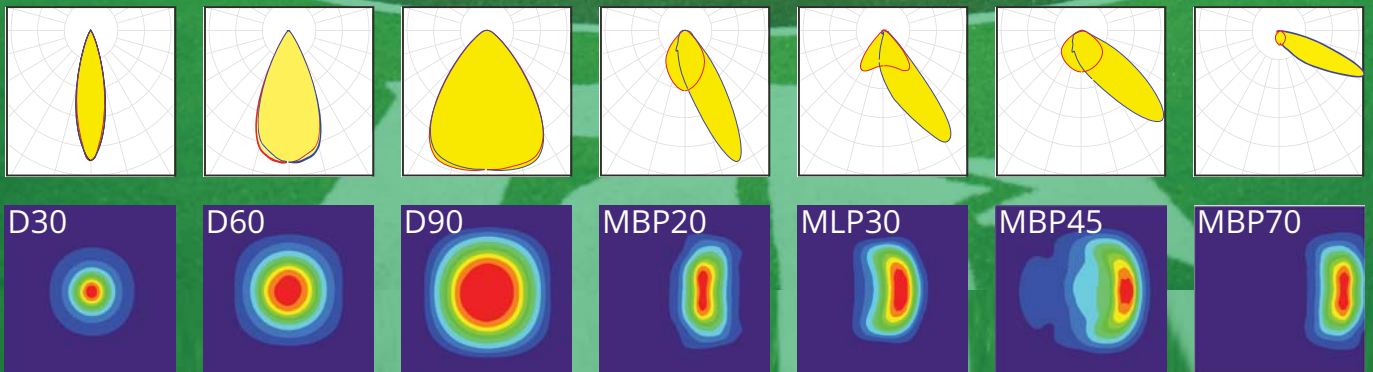


### Rotatable Visor

Asymmetric polarized optics and visor work together to minimize glare, back light, and spill light.

## Optics

Special designed optics are used for different sport field and different standard. They will not only improve the lux and uniformity, but also minimize glare light.



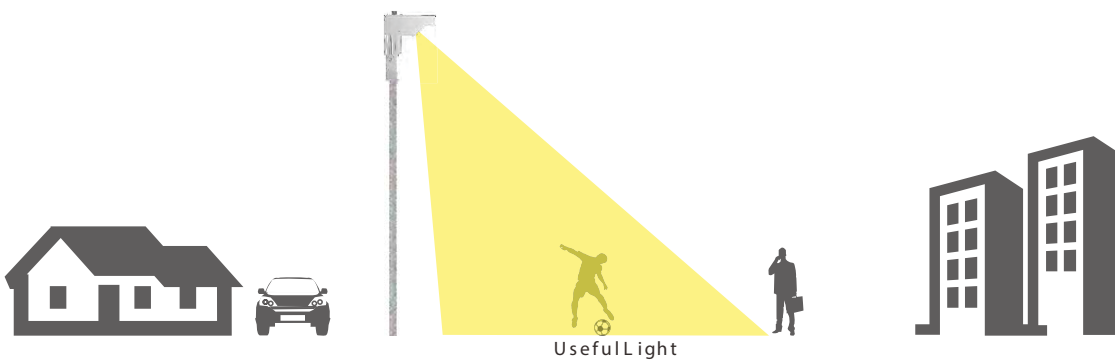


**More glare light  
More pollution**

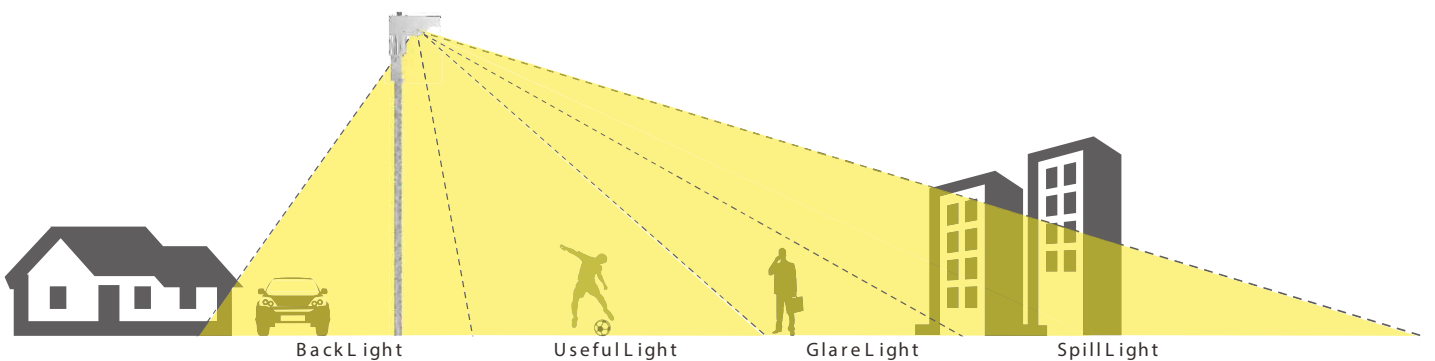


**Less glare light  
Less pollution**

Won't **disturb** neighbors when enjoying sport



Others





**IP66 Waterproof**  
**10/20kv Surge Protection**  
**AkzoNobel coating, best corrosion proof**

### **TVS protection**

Transient Voltage Suppressor(TVS) with 1500w peak pulse capability at 10/1000us waveform is used to protecting LEDs from voltage transient induced by lightning.



## **HD TV broadcasting**

The LED source has a high TLCI index and a chromatic render index up to 90. This provides the camera with the real color of the scene and flicker-free shooting.

Driver box can be fixed on bracket or on pole in order to lower the weight of whole fixture and easy maintenance





CE RoHS compliant

LM 79

LM 80

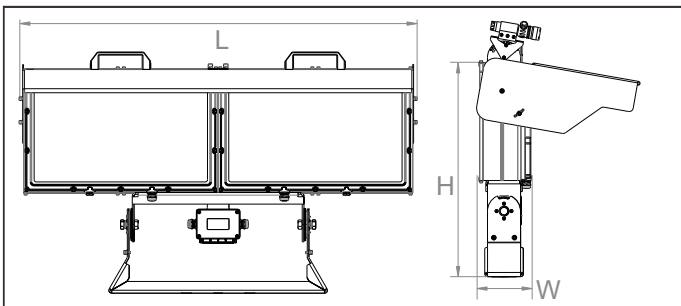
TM 21

Highmast Light



## Features

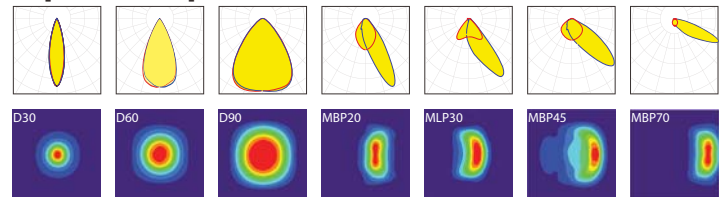
Housing: Pure Aluminum  
 Thermal Conductivity: 226 W/m·K  
 Led: Cree 5050  
 CRI: Ra>70  
 SDCM: <6  
 Power Factor: >0.95  
 THD: <15  
 Driver: Inventronic  
 Driver Efficiency: >93%  
 Protection: OTP, OCP, OVP, SCP  
 Surge Protection: 10KV  
 Waterproof: IP66  
 Impact Test: IK08  
 Electrical: 100-277V, 50/60Hz  
 Operating Temperature: -40~60°C  
 TM21: L90B10>50,000H  
 Lifetime: 50,000H



## Functions

ZigBee · DMX · DALI · 0/1~10V

## Optical options:



160lm/w

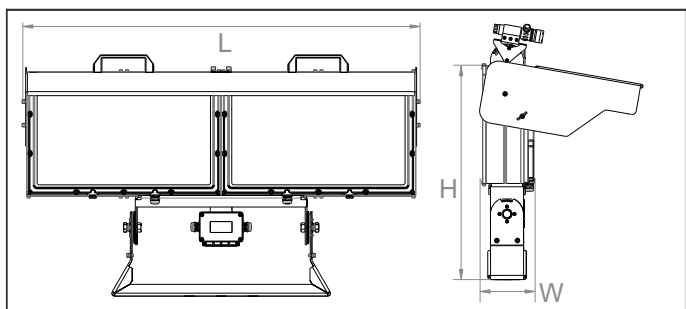
Inventronic Driver

Cree LED

Watt	Voltage	Lumen	CRI	IP	Dimension
500W	100~277V	80000LM	>70	IP66	470*524*127
600W	100~277V	96000LM	>70	IP66	470*524*127
1000W	220~240V	160000LM	>70	IP66	920*558*127
1200W	220~240V	192000LM	>70	IP66	920*558*127

Note: Asymmetric optics are 150lm/w

## Packing



## Luminaire

	Dimension (mm)	Outer Carton(mm)			QTY / Outer CTN	Luminaire	
		L	W	H		NW(kg)	GW(kg)
	470*520*127	560	235	615	1	14.80	16.30
	470*520*127	560	235	615	1	14.80	16.30
	920*558*127	1010	235	655	1	27.50	29.60
	920*558*127	1010	235	655	1	27.50	29.60

## Driver

Model	Dimension (mm)	Outer Carton(mm)			QTY / Outer CTN	Driver	
		L	W	H		NW(kg)	GW(kg)
600W Driver Box	410*280*136.8	480	300	200	1	7.10	8.70
1200W Driver Box	410*280*136.8	480	300	200	1	7.70	9.30