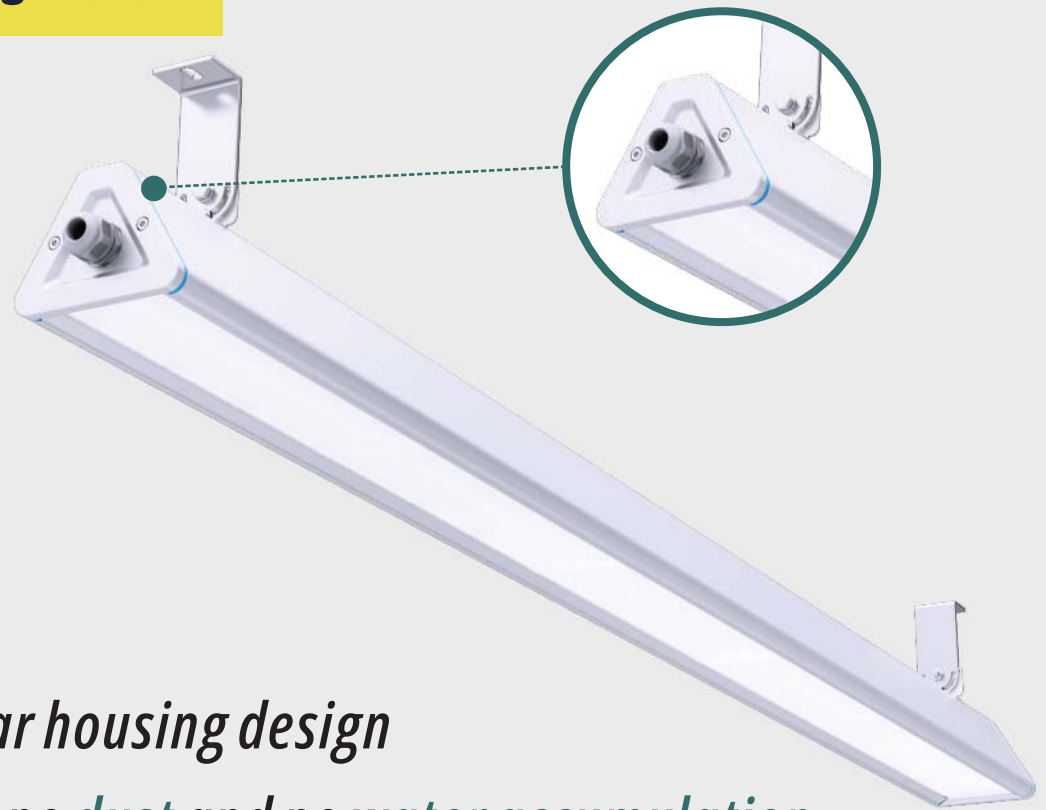


Linear
Highbay
Light



Europe Design Patent

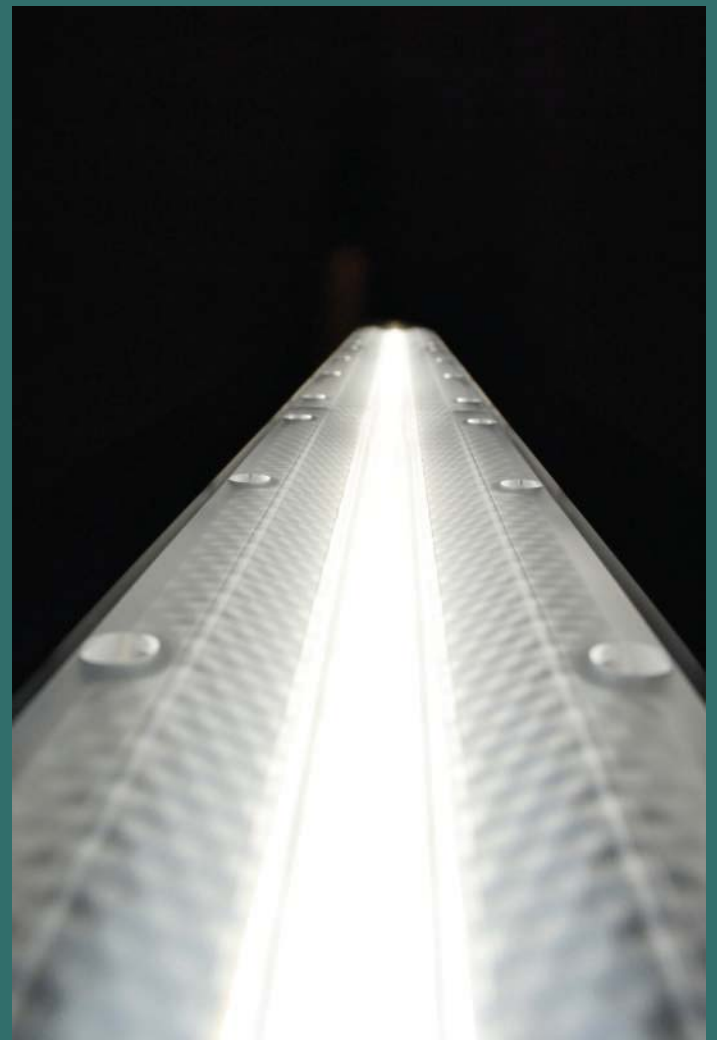


Unique triangular housing design

Smooth surface, no dust and no water accumulation

Aesthetics of Lighting

Our strip mining lamp adopts a special lens and PCB design to achieve the unique linear luminous effect. This not only increases the aesthetics of lighting, enhances the effect of light distribution, but also reduces glare.



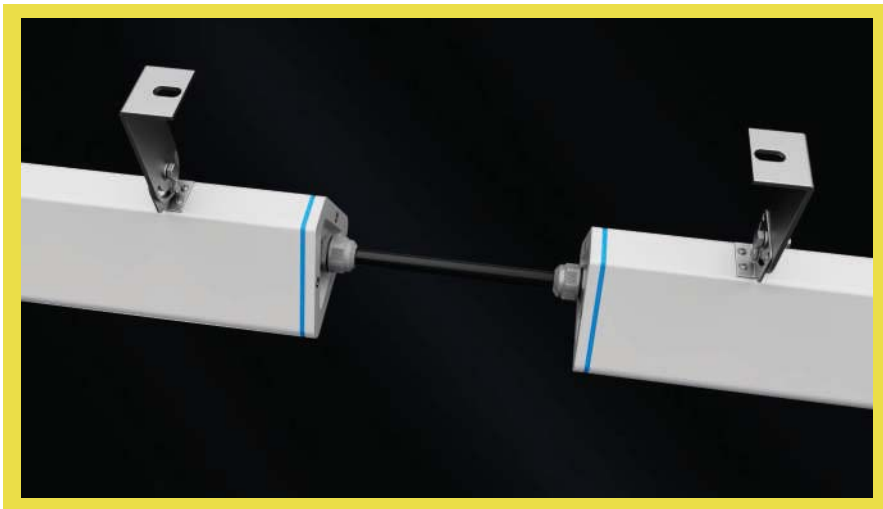
Easy wiring & Lower installation cost



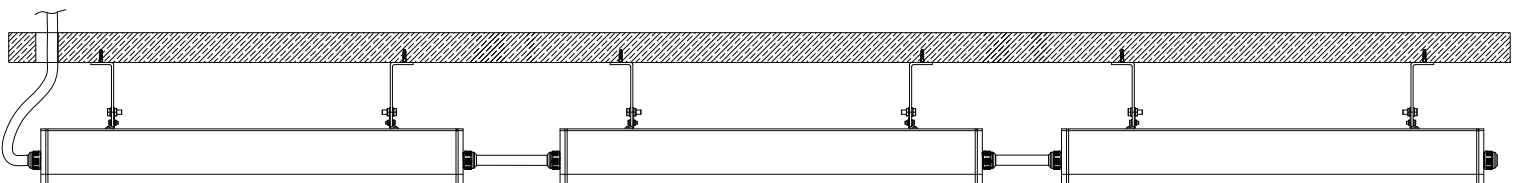
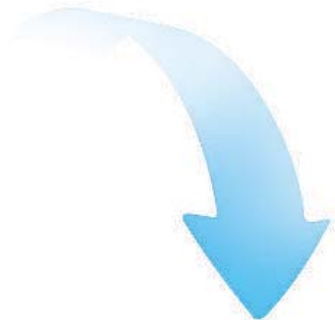
With terminal inside which is available to rewire easily

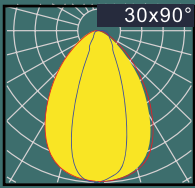


Wire through inside



Linkable in series



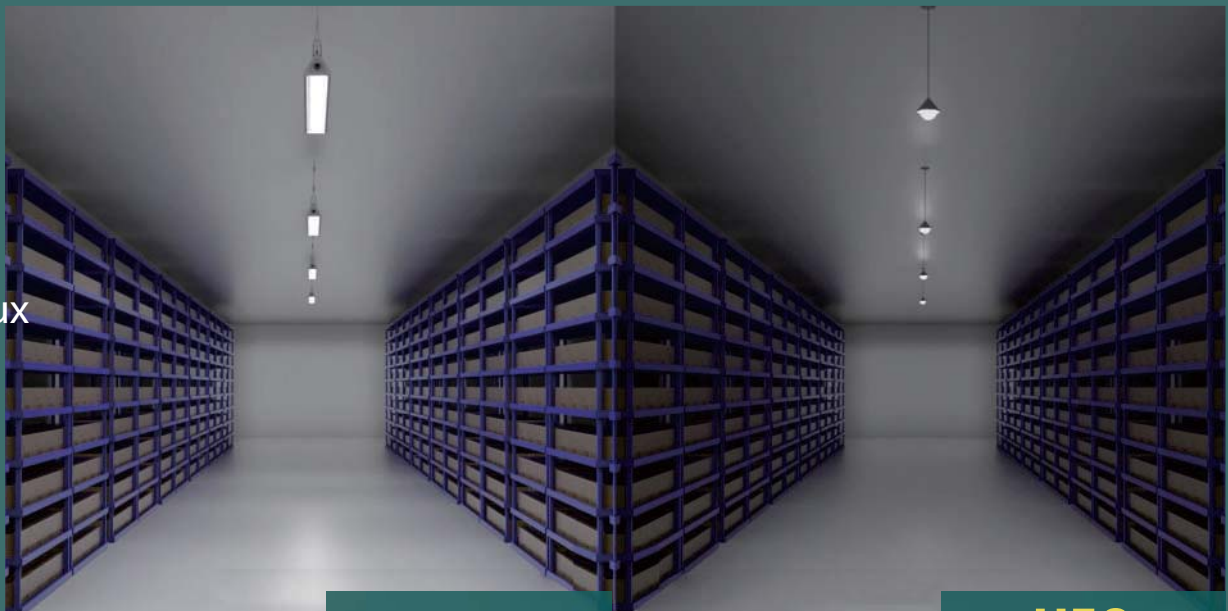


The best choice for warehouse and logistics

With special designed Lens optics for option, the rectangle shape light distribution saves 30% energy in comparion with round highbay light which 30% of the light was wasted on the top of shelves in warehouse.



Specially designed lens increase 30% lux than UFO light



UFO

Light Efficiency

160_{LM/W}



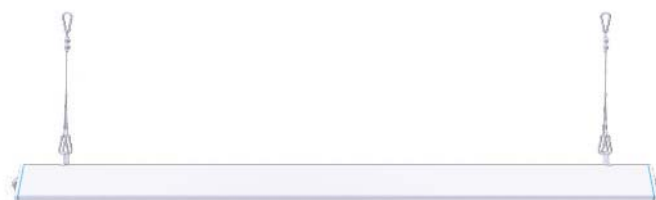
Pure Aluminum

Better thermal conductivity

IP66 WATERPROOF

Choosing IP66-rated waterproof light fixtures not only provides you with a reliable lighting solution but also safeguards your investment. They reduce maintenance and replacement costs caused by moisture or damage, there by extending their lifespan.

Installation method



① *Hanging installation*



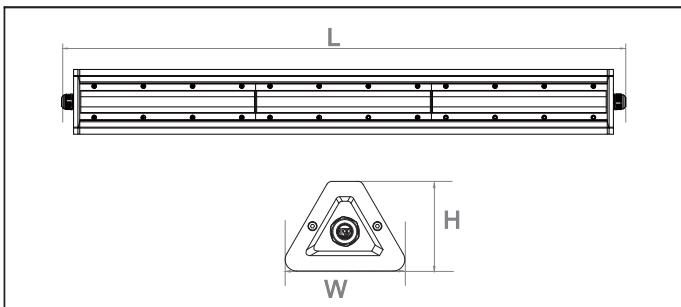
② *Bracket installation*



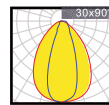


Features

Housing: Pure Aluminum A6063
 Thermal Conductivity: 226 W/m·K
 Led: Philips
 CRI: Ra>80
 SDCM: <6
 Power Factor: >0.95
 THD: <15
 Driver: Sosen
 Driver Efficiency: >92%
 Protection: OTP, OCP, OVP, SCP
 Surge Protection: 4KV
 Waterproof: IP66
 Impact Test: IK08
 Electrical: 100~277V, 50/60Hz
 Operating Temperature: -25~45°C
 TM21: L90B10>50,000H
 Lifetime: 50,000H



Optical



160lm/w

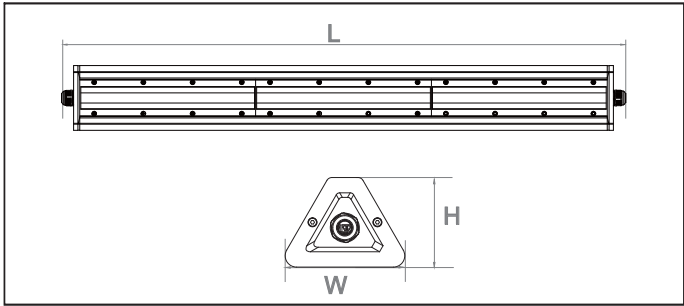
Sosen Driver

Philips LED

Watt	Voltage	Lumen	CRI	IP	Dimension
150W	100~277V	24000LM	>80	IP66	892*105.4*79mm
200W	100~277V	32000LM	>80	IP66	1192*105.4*79mm

* *

Packing



L*W*H (MM)	Inner Carton(mm)	QTY/ INNER CTN	Outer Carton(mm)	QTY/ Outer CTN	NW/CTW	GW/CTW
892*105.4*79	/ / /	/	960 170 130	1	2.90	3.40
1192*105.4*79	/ / /	/	1260 170 130	1	3.90	4.50