

# LED Pole Top Light







**170**  
**LM/W**

- .....
- Die-cast Housing
- With tempered glass
- Surge Protection 6KV
- With Anti-UV lens
- .....



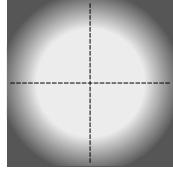
Smooth Surface  
Eliminate the risk of dust and water accumulation



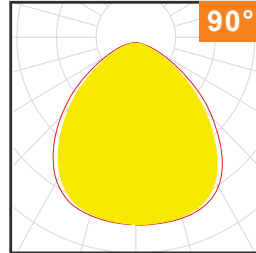
Streamlined design  
minimize light loss

**IP66**





Symmetric



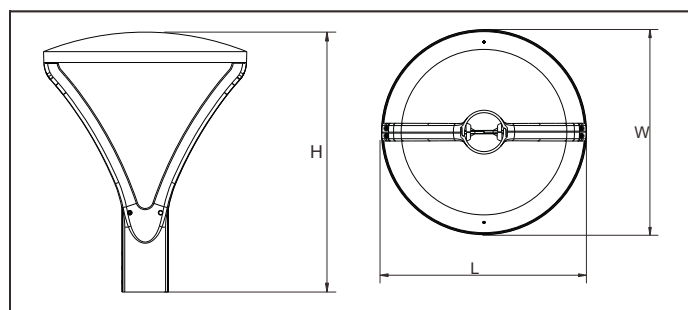
IESNA STANDARD	Roadway width / Mounting Height	
	One side mounting	Both side mounting
Type II	Up to 1 times MH	Up to 2 times MH
Type III	Up to 1.5 times MH	Up to 3 times MH
Type IV	Up to 2 times MH	Up to 4 times MH



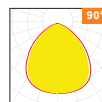


## Features

Housing: Die-cast Aluminum  
 Thermal Conductivity: 96 W/m·K  
 Led: Philips  
 CRI: Ra>70  
 SDCM: <6  
 Power Factor: >0.95  
 THD: <15  
 Driver: Meanwell  
 Driver Efficiency: >93%  
 Protection: OTP, OCP, OVP, SCP  
 Surge Protection: 6KV  
 Waterproof: IP66  
 Impact Test: IK08  
 Electrical: 100-277V, 50/60Hz  
 Operating Temperature: -40~50°C  
 TM21: L90B10>50,000H  
 Lifetime: 50,000H

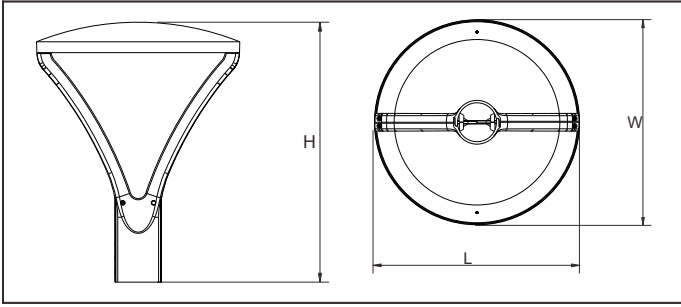


## Optical options:



Watt	Voltage	Lumen	CRI	IP	Dimension
30W	100~277V	4000LM	>70	IP66	L422*W422*H539MM

# Packing



Outer Carton (mm)			QTY/CTN	N.W. (kg)	G.W. (kg)
520	470	227	1	5.7	6.8