

LED Pole Top Light





170
LM/W

-
- Die-cast Housing
- With tempered glass
- Surge Protection 6KV
- With Anti-UV lens
-



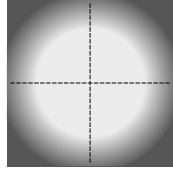
Smooth Surface
Eliminate the risk of dust and water accumulation



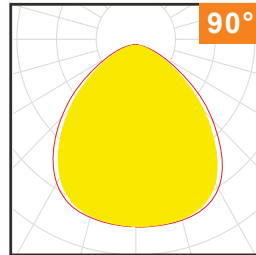
Streamlined design
minimize light loss

IP66





Symmetric



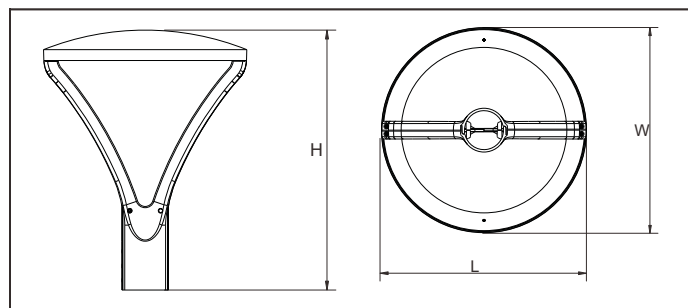
IESNA STANDARD	Roadway width / Mounting Height	
	One side mounting	Both side mounting
Type II	Up to 1 times MH	Up to 2 times MH
Type III	Up to 1.5 times MH	Up to 3 times MH
Type IV	Up to 2 times MH	Up to 4 times MH



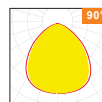


Features

Housing: Die-cast Aluminum
 Thermal Conductivity: 96 W/m·K
 Led: Philips
 CRI: Ra>70
 SDCM: <6
 Power Factor: >0.95
 THD: <15
 Driver: Meanwell
 Driver Efficiency: >93%
 Protection: OTP, OCP, OVP, SCP
 Surge Protection: 6KV
 Waterproof: IP66
 Impact Test: IK08
 Electrical: 100-277V, 50/60Hz
 Operating Temperature: -40~+50°C
 TM21: L90B10>50,000H
 Lifetime: 50,000H

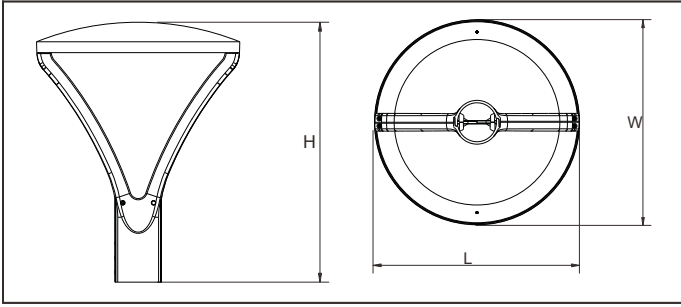


Optical options:



Watt	Voltage	Lumen	CRI	IP	Dimension
60W	100~277V	9000LM	>70	IP66	L422*W422*H539MM

Packing



Outer Carton (mm)			QTY/CTN	N.W. (kg)	G.W. (kg)
520	470	227	1	5.7	6.8