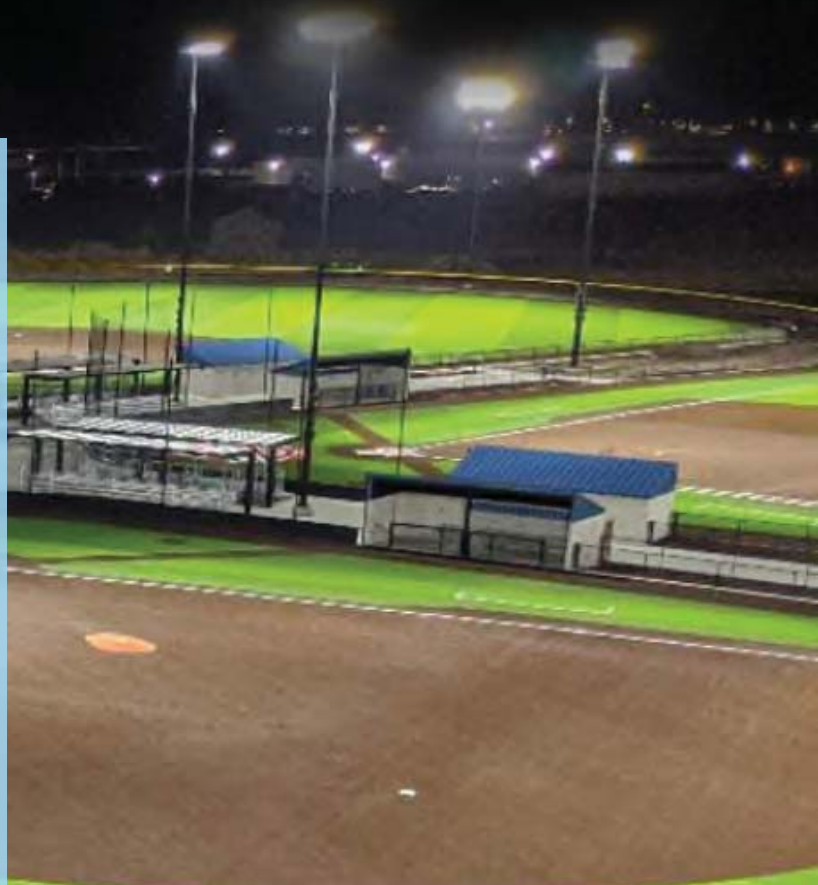


Value for Money

Available in various power fitted with efficient LEDs from international brand Philips and powered by Sosen driver, our Recon series LED Flood Lights offer the users not only superior quality of lighting exteriors, but also a supreme reliability. With the optical lens and uniform photometric distribution, this LED lighting series achieves high optical efficiency. Thanks to a robust aluminium housing with safety glass cover, the floodlights are ideal for outdoor flood lighting applications, such as wall mounted around building facades, buildings as well as lighting gardens, paths near to buildings, garages, and entrance ways.



150
lm/w

- High performance with efficiency up to 150 lm/W
- L80/B10 @25C° 50,000H lifetime
- SDCM<6
- PF >0,9
- THD < 15%
- Nominal Voltage: 100-277V
- Insulation Class I

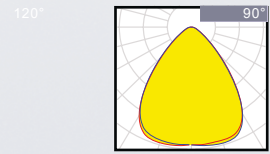


Driver
SOSEN

Chip
PHILIPS



• Beam angle



- Robust aluminum die-cast
- High protection rating IP66
- High impact resistance of IK08
- Suitable for operation in ambient temperature of -40°C to +50°C
- Static built-in driver



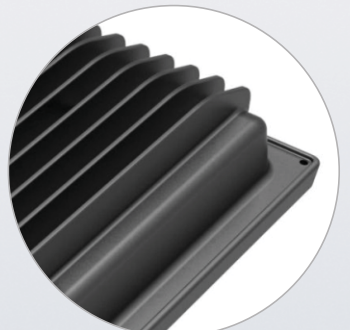
More Than Good



Philips LED



Sosen Driver

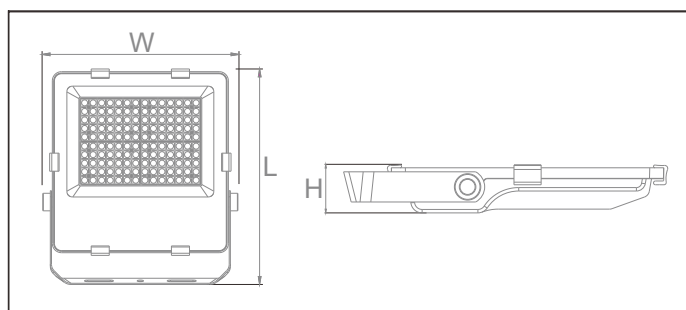


Die-Cast Heatsink



Features

- Housing: Die-cast Aluminum ADC12
- Thermal Conductivity: 96 W/m·K
- Led: Philips
- CRI: Ra>70
- SDCM: <6
- Power Factor: >0.95
- THD: <15
- Driver: Sosen
- Driver Efficiency: >90%
- Protection: OTP, OCP, OVP, SCP
- Surge Protection: 4KV
- Waterproof: IP66
- Impact Test: IK08
- Electrical: 100-277V, 50/60Hz
- Operating Temperature: -40~50°C
- TM21: L80B10>50,000H
- Lifetime: 50,000H



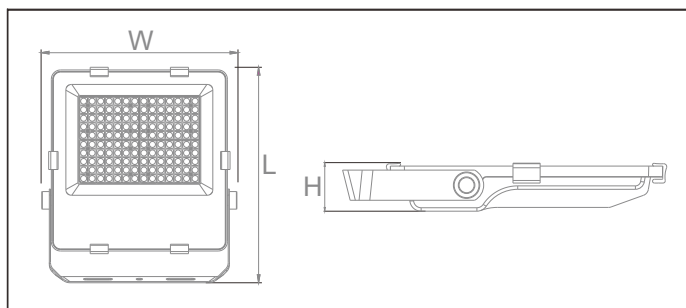
150lm/w

Sosen Driver

Philips LED

Watt	Voltage	Lumen	CRI	IP	Dimension
100W	100~277V	15000LM	>70 (80)	IP66	L354*W319*H53MM
150W	100~277V	22500LM	>70 (80)	IP66	L400*W359*H63MM
200W	100~277V	30000LM	>70 (80)	IP66	L430*W389*H63MM

Packing



Outer Carton(mm)			QTY / CTN	NW/CTN	GW/CTN
425	365	138	1	2.90	3.80
470	405	148	1	3.80	4.90
500	435	148	1	4.50	5.80