



Explosion Proof Light

We are committed to delivering high-quality industrial lighting fixtures designed, tested and certified for use in hazardous locations and adverse environment conditions.

Our explosion proof light can be used even under the harshest indoor and outdoor conditions. If safety, labor reduction, quality and reliability are your priorities, this product will be your best option.

Explosion Proof

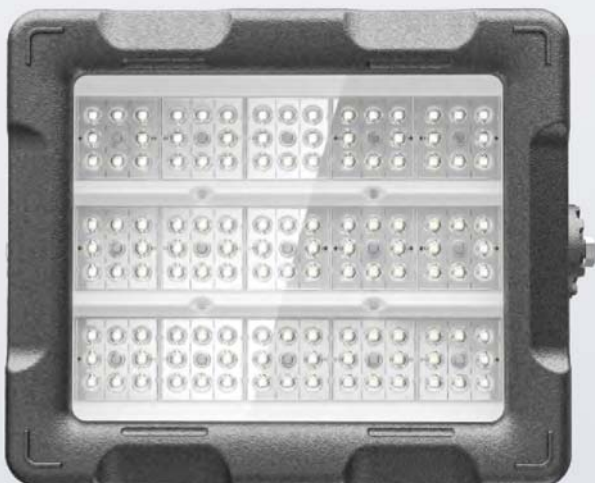
Gas & dust proof
Zone 1, 2 & zone 21, 22
High bright 150lm/w



IECE_x

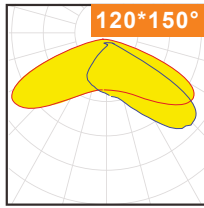


II 2G Ex db mb IIB T4 Gb
II 2D Ex tb IIIC T(95°C) Db

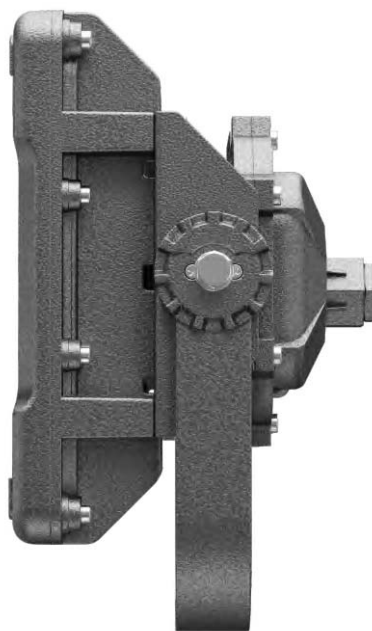


150LM/W

Driver: Meanwell
LED: Cree



Precise Angle Rotation



IP66 Waterproof
6KV/10KV Surge Protection
AkzoNobel coating, best corrosion proof





Chemical industry
 Oil and natural gas extraction
 Petrol station
 Offshore
 Marine sector



Tank vehicle
 Shipyard
 Power plant
 Refinery
 Rescue service
 Aviation



Sugar refinery
 Grain and feed industry
 Fertiliser industry
 Flour milling
 Pharmaceutical industry
 Waste treatment plant
 Timber industry



Application

Zone 1 Zone 2
 Zone 21 Zone 22

Applied to oil fields, oil refineries, offshore oil platform, power plants, gas stations, oil tanks, wharf, tunnel, pumping station, substation, the military base, etc. Zone I and Zone II Hazardous Locations, Zone 20, Zone 21, Zone 22 and II A, IIB, IIC explosive gas atmosphere.

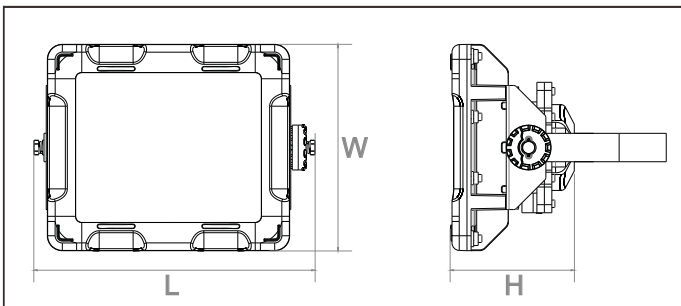


Features

- Housing: Pure Aluminum
- Thermal Conductivity: 226 W/m·K
- Led: Cree 3030
- CRI: Ra>70
- SDCM: <6
- Power Factor: >0.95
- THD: <15
- Driver: Meanwell
- Driver Efficiency: >93%
- Protection: OTP, OCP, OVP, SCP
- Surge Protection: 6KV
- Waterproof: IP66
- Impact Test: IK08
- Electrical: 100-277V, 50/60Hz
- Operating Temperature: -40~60°C
- TM21: L90B10>50,000H
- Lifetime: 50,000H



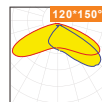
II 2G Ex db mb IIB T4 Gb
II 2D Ex tb IIIC T(95°C) Db



Functions

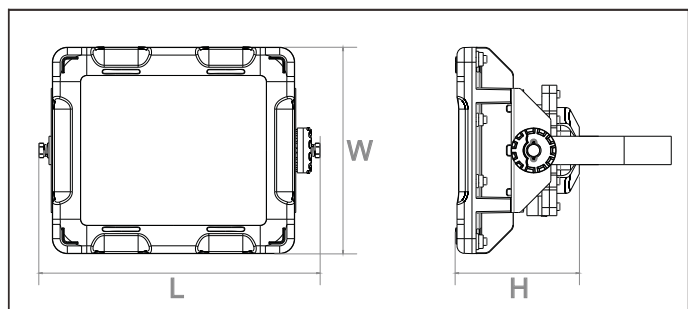
ZigBee · DMX · DALI · 0/1~10V

Optical



Model	Watt	Voltage	Lumen	CRI	IP	Dimension
EX025AE1H-CM	25W	100~277V	3750LM	>70	IP66	374*276*171
EX050AE1H-CM	50W	100~277V	7500LM	>70	IP66	374*276*171
EX070AE1H-CM	70W	100~277V	10500LM	>70	IP66	374*276*171
EX100AE1H-CM	100W	100~277V	15000LM	>70	IP66	374*276*171
EX150AE1H-CM	150W	100~277V	21000LM	>70	IP66	374*276*171
EX200AE1H-CM	200W	100~277V	28000LM	>70	IP66	374*276*171

Packing



Luminaire

Dimension (mm)	Outer Carton(mm)			QTY / Outer CTN	Luminaire	
	L	W	H		NW(kg)	GW(kg)
374*276*171	435	415	270	1	9.70	10.50