

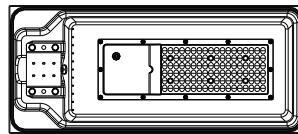
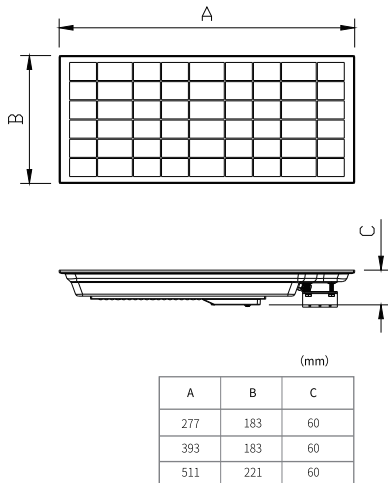
Professional Solar street lamp



Product Description

Solar panel	Battery	Lumens	CCT	CRI	Angle	Sensing distance	Switch	Pole Diameter	IP Grade
4.5V6W(Mono)	16WH(IFR)	480Lm±10%	6500K	Ra>70	150°75°	4-6M	Yes	φ40mm	IP65
4.5V10W(Mono)	32Wh(IFR)	950Lm±10%	6500K	Ra>70	150°75°	4-6M	Yes	φ50mm	IP65
4.5V15W(Mono)	48WH(IFR)	1300Lm±10%	6500K	Ra>70	150°75°	4-6M	Yes	φ50mm	IP65
6V30W(Mono)	64WH(IFR)	1800Lm±10%	6500K	Ra>70	150°75°	4-6M	Yes	φ50mm	IP65
6V45W(Mono)	96WH(IFR)	2200Lm±10%	6500K	Ra>70	150°75°	4-6M	Yes	φ50mm	IP65

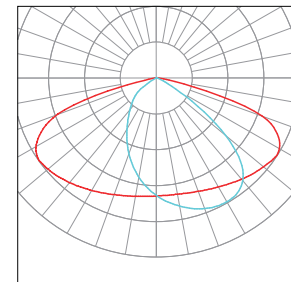
Dimensions



Solar street light setting mode :

Hrs	With people	Without people
0.5h	100%	7%
1.5h	60%-40%	7%
10h	40%	7%

Polar Curve



Average beam angle(50%):150°*75°

Packing information

Box Dimensions	Pieces per box	CMB	Gross Weight	20GP	40HQ
700*580*330mm	15pcs/ctn	0.134m ³	18.9kg		
570*470*400mm	4pcs/ctn	0.107m ³	12.5kg		
570*550*400mm	4pcs/ctn	0.125m ³	16.4kg		
670*420*120mm	1pcs/ctn	0.034m ³	6.6kg		
750*530*130mm	1pcs/ctn	0.052m ³	8.7kg		