

Ø200 mm LED Traffic Lights
Model No.: TP200x2F



Product Features

Novel design with beautiful appearance
Low power consumption
High efficiency and brightness
Large viewing angle
Long lifespan: 80 000 hours
Multi-layer sealed and waterproof

Long viewing distance
Visual distance: ≥400m
Housing: GE UV resistance Polycarbonate
Signal Module: Light-weighted with ultrathin design, Multi-layer sealed, water and dust proof, anti-vibration, Exclusive

optical lens and good color uniformity
Wide temperature: -40°C~+80°C
Sun visor: Polycarbonate
CE, IP55, ITE Standard, RoHS, TUV, UL, EMC, LVD, WEEE, Swedish standard SS-EN 12368:2006

Technical Parameters:

Article Number	Color	LED Qty	Light Intensity	Wave Length	Viewing Angle L/R	Viewing Angle U/D	Power	Working Voltage	Housing Material
TP200x2F	Red	66	≤400cd	625±5 nm	30°	30°	7W	11-30VDC/VAC 85V-265VAC, 50/60HZ	PC, UV resistant
	Green	63	≤600cd	505±2 nm			5W		

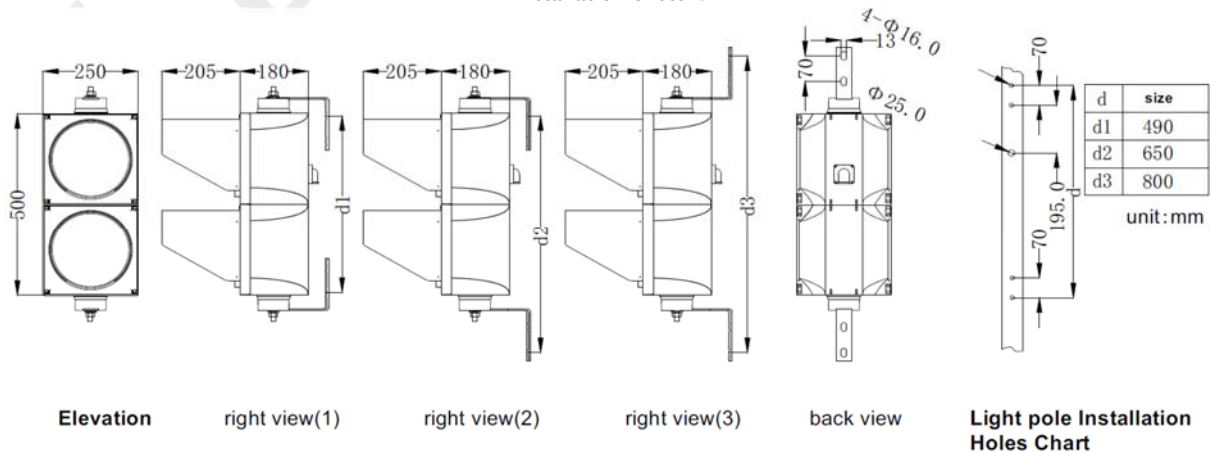
Packing Info:

Carton Size	QTY	GW	NW	Wrapper	Volume (m3)
0,67 * 0,33 * 0,23 m	1 pcs /carton box	4,96 kg	5,5 kg	K=K carton	0,051

Packing List:

Name	Light	L Bracket	Sun Visor	M4×10 Screw	M4×20 Screw	Terminal Cover & Terminal Cover Gasket	Using Manual
Qty. (pcs)	2	2	2	8	4	1	1

Installation Sketch:



Address
Baiona AB
Hagagatan 34
113 47 Stockholm
Sweden
Phone
+46 (0)73-679 35 50

Company headquarters
Stockholm
Bank
Handelsbanken
IBAN
SE78 6000 0000 0005 9016 1881
BIC
HANDSESS

Bankgiro
5456-5197
Organization no
559243-2479
VAT number
SE559243247901
Holds F-tax certificate

Internet
www.ledochled.se
E-mail
info@ledochled.se
Terms & delivery conditions
www.ledochled.se/villkor