

**Ø200 mm LED Traffic Lights**  
**Model No.: TP200x2F-HE**



**Product Features**

Novel design with beautiful appearance  
Low power consumption  
High efficiency and brightness  
Large viewing angle  
Long lifespan: 80 000 hours  
Multi-layer sealed and waterproof

Long viewing distance  
Visual distance: ≥400m  
Housing: GE UV resistance Polycarbonate  
Signal Module: Light-weighted with ultrathin design, Multi-layer sealed, water and dust proof, anti-vibration, Exclusive

optical lens and good color uniformity  
Wide temperature: -40°C~+80°C  
Sun visor: Polycarbonate  
CE, IP55, ITE Standard, RoHS, TUV, UL, EMC, LVD, WEEE, Swedish standard SS-EN 12368:2006

**Technical Parameters:**

Article Number	Color	LED Qty	Light Intensity	Wave Length	Viewing Angle L/R	Viewing Angle U/D	Power	Working Voltage	Housing Material
TP200x2F-HE	Red	6	≤400cd	625±5 nm	30°	30°	7W	11-30VDC/VAC 85V-265VAC, 50/60HZ	PC, UV resistant
	Green	6	≤600cd	505±2 nm			9W		

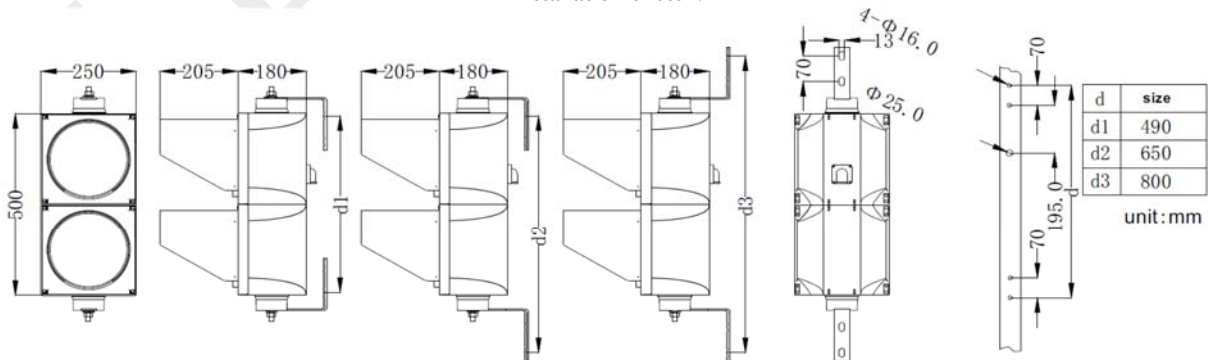
**Packing Info:**

Carton Size	QTY	GW	NW	Wrapper	Volume (m3)
0,67 * 0,33 * 0,23 m	1 pcs /carton box	4,96 kg	5,5 kg	K=K carton	0,051

**Packing List:**

Name	Light	L Bracket	Sun Visor	M4×10 Screw	M4×20 Screw	Terminal Cover & Terminal Cover Gasket	Using Manual
Qty. (pcs)	2	2	2	8	4	1	1

**Installation Sketch:**



Elevation

right view(1)

right view(2)

right view(3)

back view

Light pole Installation Holes Chart

**Address**  
Baiona AB  
Hagagatan 34  
113 47 Stockholm  
Sweden  
**Phone**  
+46 (0)73-679 35 50

**Company headquarters**  
Stockholm  
**Bank**  
Handelsbanken  
**IBAN**  
SE78 6000 0000 0005 9016 1881  
**BIC**  
HANDSESS

**Bankgiro**  
5456-5197  
**Organization no**  
559243-2479  
**VAT number**  
SE559243247901  
**Holds F-tax certificate**

**Internet**  
www.ledochled.se  
**E-mail**  
info@ledochled.se  
**Terms & delivery conditions**  
www.ledochled.se/villkor