



## Value for Money

To buy a good quality but low price high bay light, our crossover is the best option. Sosen driver and Philips led are used to guarantee high quality and 5 years warranty. Die-cast housing and perfect design enhance user experience. Not only 5 years warranty is offered, but also lumen maintenance after 50,000hours is upto 80%. It is always a good value for money.



**Value**  
for  
**Money**



Chip  
**PHILIPS**  
Driver  
**SOSEN**



**Efficiency**  
**150**





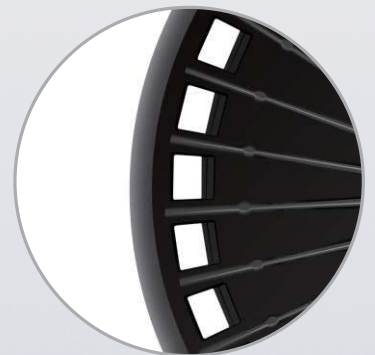
**More Than Good**



Philips LED



Sosen Driver



Die-cast  
heatsink

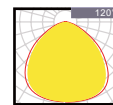
## Features

- Housing: Die-cast
- Thermal Conductivity: 96 W/m·K
- Led: Philips
- CRI: Ra>80 ( 90 for option)
- SDCM: <6
- Power Factor: >0.95
- THD: <15
- Driver: Sosen
- Driver Efficiency: >93%
- Protection: OTP, OCP, OVP, SCP
- Surge Protection: 4KV
- Waterproof: IP65
- Impact Test: IK08
- Electrical: 100-277V, 50/60Hz
- Operating Temperature: -40~60°C
- TM21: L80B10>50,000H
- Lifetime: 50,000H



## Functions

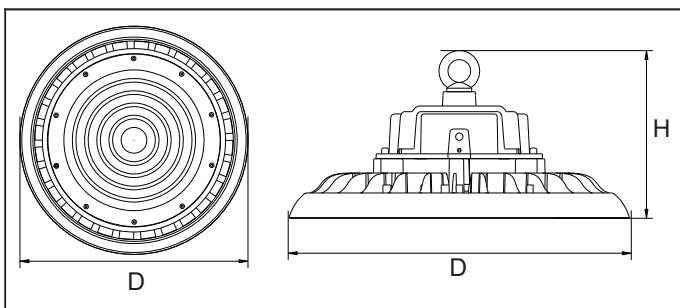
PWM · 0/1~10V



150lm/w

Sosen Driver

Philips LED



Watt	Voltage	Lumen	CRI	IP	Dimension
100W	100~277V	15000LM	>80 (90)	IP65	D258*H139MM
150W	100~277V	22500LM	>80 (90)	IP65	D299*H139MM
200W	100~277V	30000LM	>80 (90)	IP65	D347*H142MM