

INSPIRE™

Smith Cage System



Scan for more information

*Shown with
Optional Bench*

- **Dual weight stack design** provides unique iso-lateral exercises.
- **Double racking system** accommodates smith bar and free weight bar simultaneously.
- **Adjustable high/low pulley system** offers a wide variety of functional and sport specific exercises.
- **Pull-up bar** is adjustable in height to accommodate low ceiling clearance.
- **Fully Loaded system** includes FID bench as well as preacher curl and leg developer attachments.

SCS

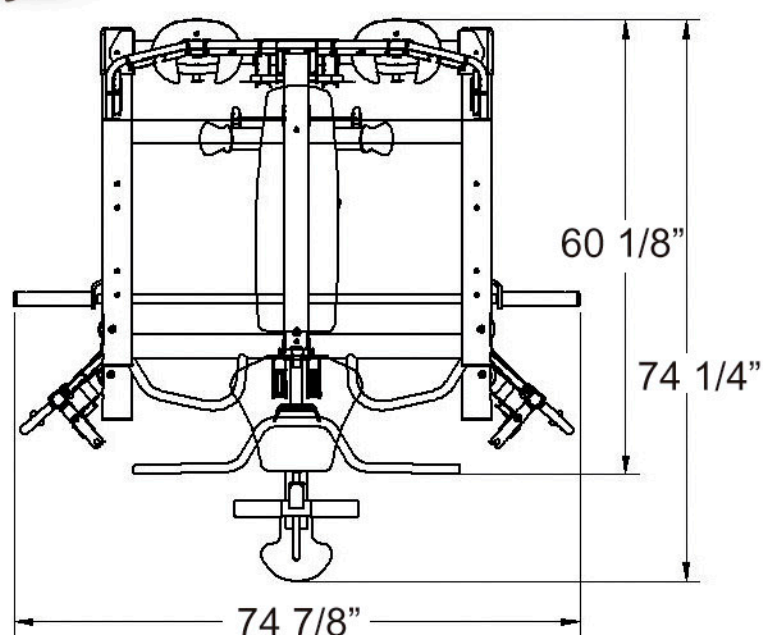
By Health In Motion LLC.
Phone (877) 738-1729 · Fax (714) 738-1728
www.inspirefitness.net



Available as Smith Machine alone



Available as Power Rack alone



Minimum Height: 80 1/4"
Maximum Height: 86 1/4"

Inspire Fitness Smith/Cage System Specifications

Frame: Heavy-duty 2"x 4" oval and 3" round 11 gauge tubular steel.

Powder Coated Finish: The Electrostatic Powder Coat offers a durable, maintenance free finish.

Bearing System: Precision Steel Ball Bearing system provides a smooth, maintenance free action.

Pulleys: Fiberglass reinforced nylon.

Weight Stacks: Two 150lb. commercial weight stacks with solid guide rods and center drilled weight plates.

Accessories: Two pair of "D" handles one long and one short. Pull-up assist strap.

Options Available: 200lb weight stack upgrade and Abdominal Bar.

Warranty (Residential use only): Limited Lifetime on all parts.

Visit your local dealer for additional details or our website at www.inspirefitness.net.

This product covered by one or more of the following US Patents and others pending:
5,330,405; 5,944,641; 5,961,427; 7,645,217; 7,722,513; 7,837,600; 7,905,818; 8,096,929; 8,870,718
Inspire/Health In Motion LLC. reserves the right to alter product specifications at any time.