

LIMITED LIFETIME WARRANTY



Contact us for service under the warranty

Phone: 1 (888) 554 8789
Email: warranty@workspport.com
Website: www.workspport.com

WARRANTY DETAILS

ALL PRODUCTS SHOULD BE REGISTERED AT WWW.WORKSPORT.COM WITHIN 30 DAYS OF PRODUCT PURCHASE. FAILURE TO REGISTER YOUR PRODUCT ONLINE RESULTS IN YOU NEEDING TO PROVIDE YOUR ORIGINAL RECEIPT OF PURCHASE IN THE EVENT OF WARRANTY CLAIM.

Workspport™ warranties your product to be free from defects in material and workmanship on all aluminum framing, plastics, and hardware for a full five (5) years after date of purchase.

Workspport™ uses the highest quality materials in the industry. Workspport™ warranties your covers tarp to be free from defects in material and workmanship for life (e.g. fading or cracking). **This does not include stitching/sewing/seaming.**

If you discover a defect in a product covered by this warranty we will, at our option, repair the product using new or refurbished components, or if repair is not possible, replace the item.

Tarp shrinkage, expansion, or broken sewing is not covered under warranty unless deemed defective.

EXCLUSIONS

This warranty covers defects in manufacturing discovered while using the product as recommended. The warranty does not cover improper service or installation, loss or theft, nor does coverage extend to damage caused by misuse, abuse, unauthorized modification, improper storage conditions, acts of God, wind or weather related damage, normal wear and tear or other causes not arising from defective materials or workmanship. The warranty does not cover parts that are subject to normal wear and tear replacement requirements. Workspport™ does not warranty any tonneau covers that come off while driving, **it is the users responsibility to check clamps before driving to avoid any "Blown off covers"**.

Workspport™ requests a Warranty Claim Form is submitted and based on information provided will determine the legitimacy of the warranty. Upon determination, Workspport™ may require the product to be returned, only authorized returns with an appropriate RGA# will be accepted as a return. Returned items do not constitute an accepted warranty. Until accepted in writing, to either the vendor or end user, Workspport™ will not issue credit or replacement of products. Warranty will be issued solely at Workspport's™ discretion.

IMPORTANT NOTICE

Ensure the cover is firmly fastened in either the fully closed or fully open position. Do not over tighten clamps and check clamps regularly.

Do not use cleaning chemicals not approved for cleaning vinyl.

Do not use silicone based cleaner or any vinyl conditioner as this will cause the vinyl to shrink.

Cargo must not be allowed to touch the cover in any position. Workspport™ does not recommend placing items on top of the cover, as it may damage the cover. Protrusions in the vinyl will cause stress in the fabric and unnecessary weak spots in the material.

LIMITS OF LIABILITY

Should the product fail, your sole recourse shall be repair or replacement, as described in the preceding paragraphs. We will not be held liable to you or any other party for any damages that result from the failure of this product. Damages exclude, but are not limited to, the following: lost profits, lost savings, damage to other equipment, and incidental or consequential damages arising from the use, or inability to use this product. In no event will Workspport be liable for more than the amount of your purchase price, not to exceed the current recommended list price of the product, and excluding tax, installation, shipping and handling charges.

The Warranty applies only to the original retail consumer. Warranty is void if the product has been removed or installed on a different vehicle than the original product was purchased. Workspport™ disclaims any other warranties or guarantees, express or implied. By installing or using the product, the user accepts all terms and conditions described herein.

REQUIREMENTS

The cost of shipping or related charges to the manufacturer, or authorized repair center as well as payment of any custom clearance fees or duties are the responsibility of the user without the express written consent from Workspport™.

Certain documentation (including original purchase receipt with product description and date) and pictures may be required for warranty review of product.

Applicable Products: Workspport SC3 | SC3Pro | SC4 | SC4Pro

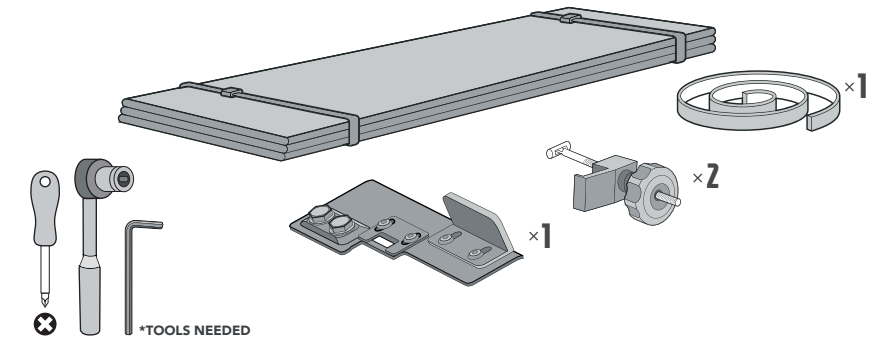
INSTALLATION SHEET



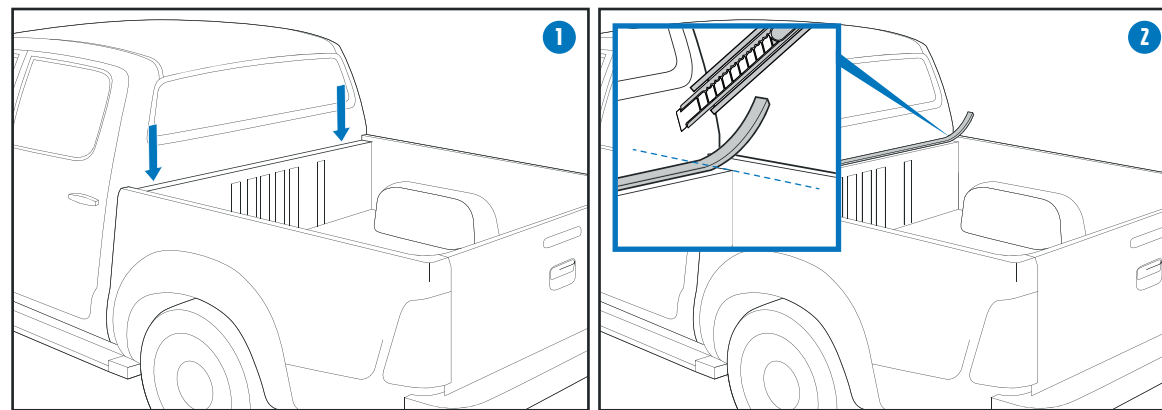
Please go to www.workspport.com for more information and register your cover

Ensure all contents are in package and not damaged prior to installation. Report any damage or missing components to customer service:

BY PHONE 1-(888)-554-8789
BY EMAIL service@workspport.com

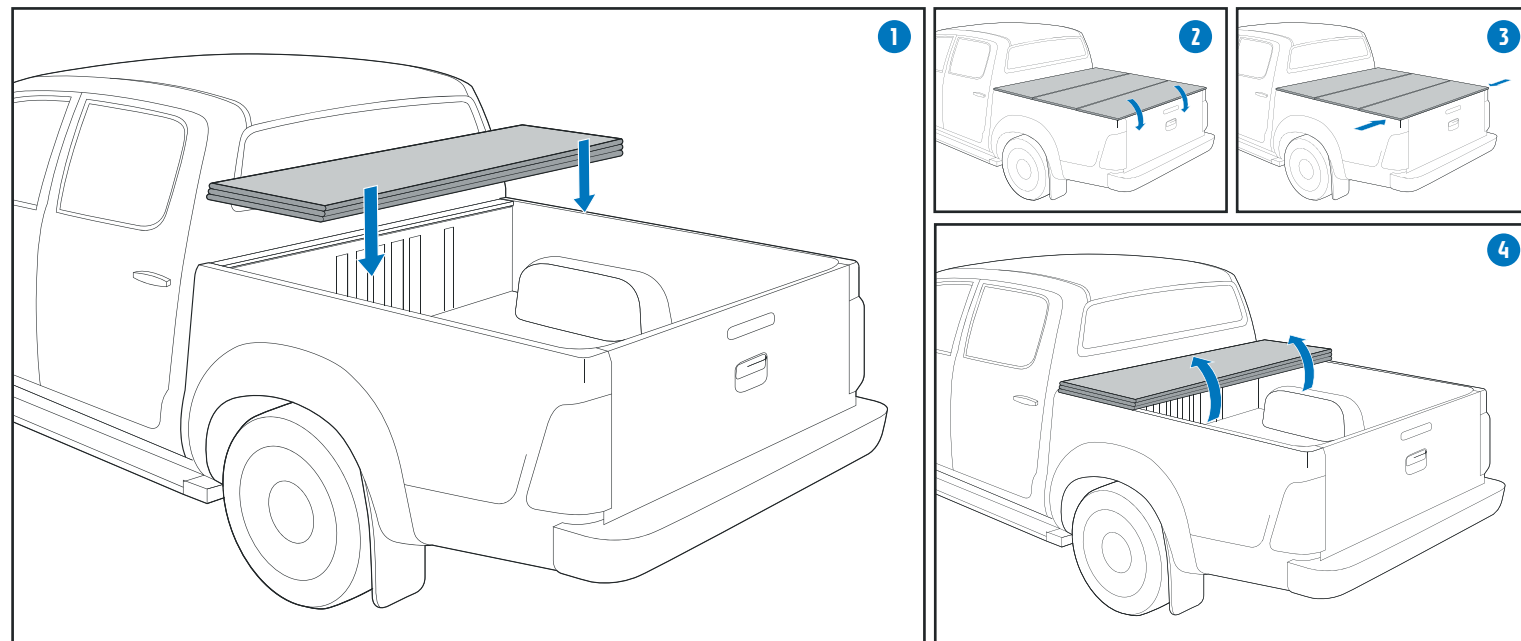


STEP ONE



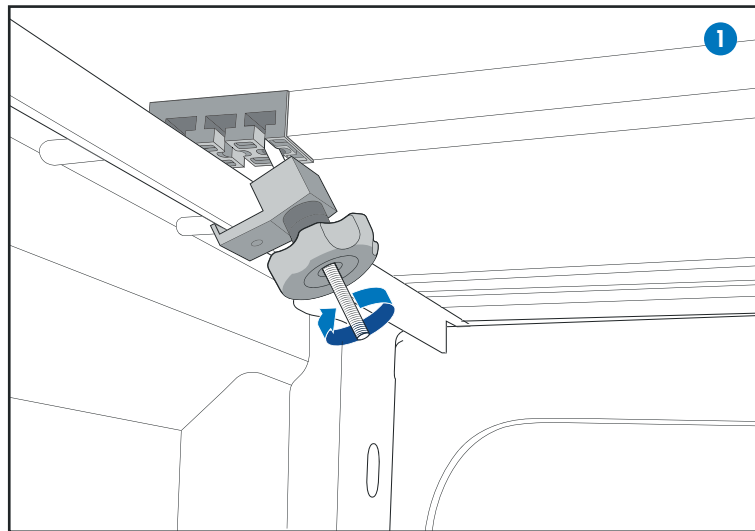
1. If the trucks front bed wall is lower then side rails, use supplied foam tape.
2. Clean & dry the area, peel adhesive backer. Install between bed rails. Cut excess.

STEP TWO



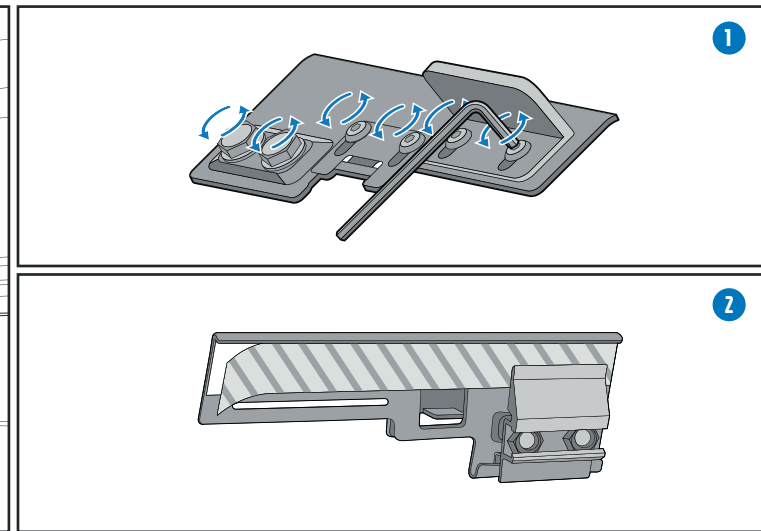
1. Place cover on bed & ensure that it is square & even on all sides.
2. Unfold the cover.
3. Make sure the cover is square & even at the tailgate.
4. Completely fold up cover again.

STEP THREE



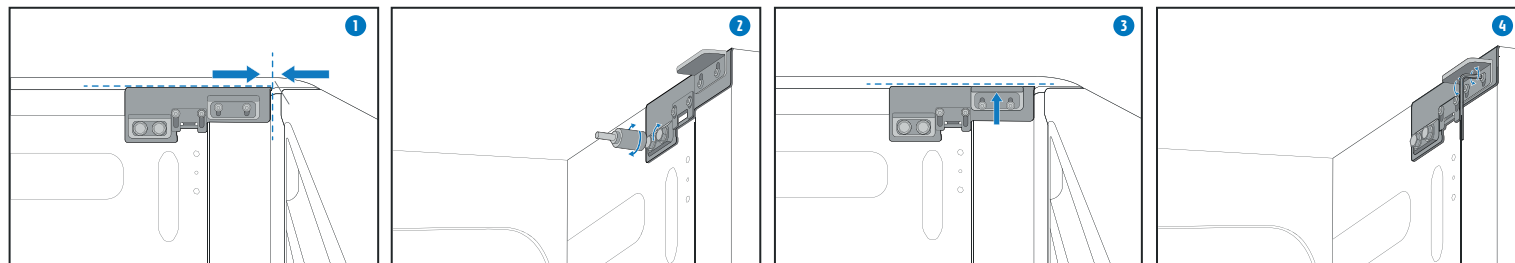
1. Place front clamp jaw under bed rail lip and tighten until snug. Repeat on both sides of the cover. Check tightness frequently.

STEP FOUR

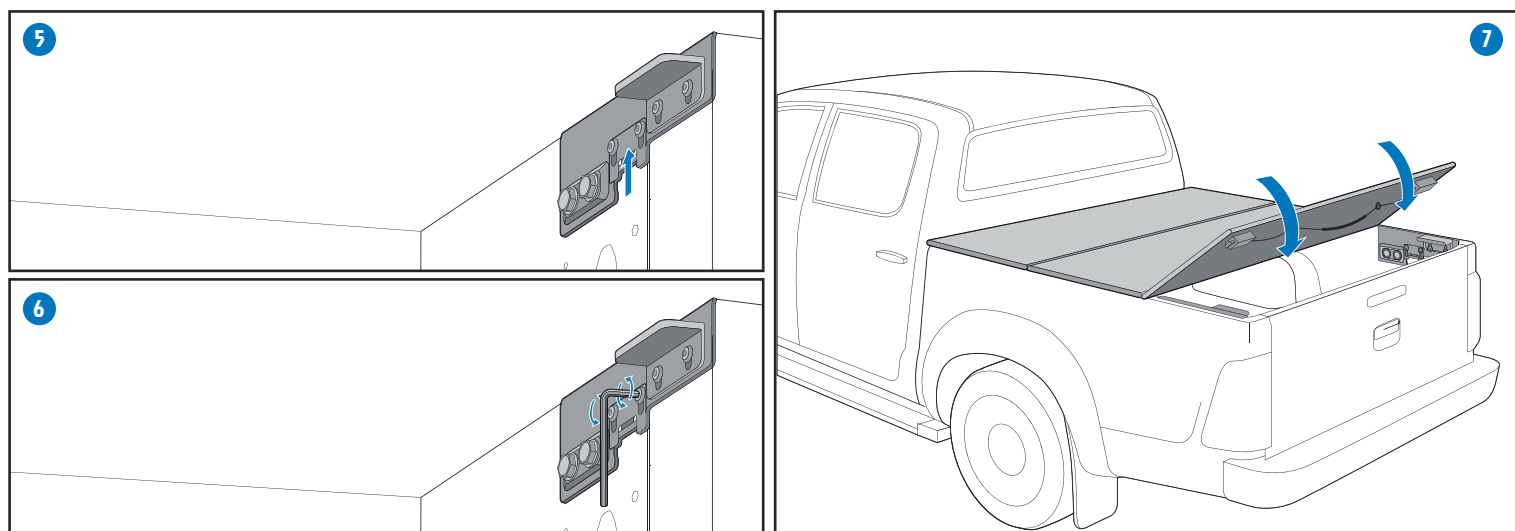


1. Prepare the latch brackets by losing the bolts and screws
2. Peel adhesive backing from back of bracket.

STEP FIVE

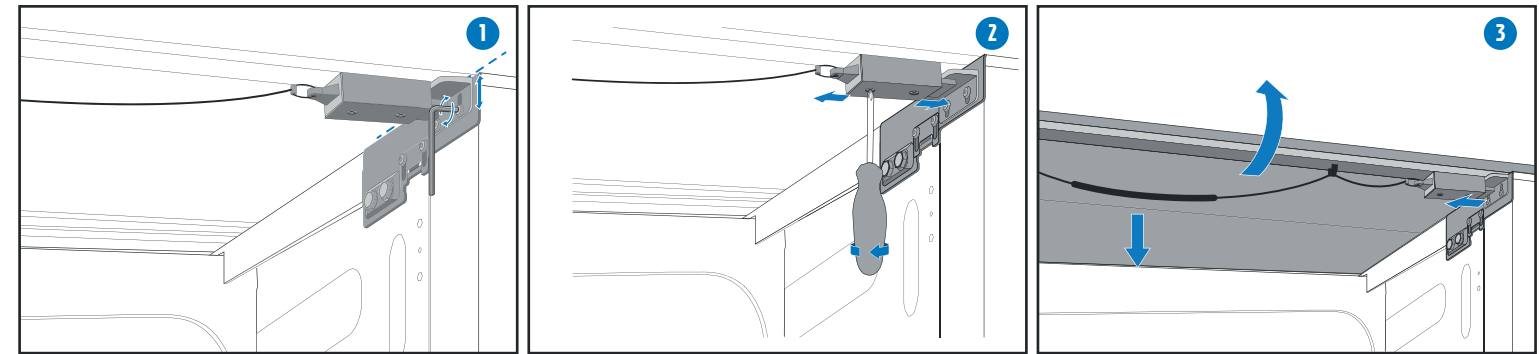


1. Slide the bracket jaw under the trucks bed rail lip and position bracket so it's just ahead of your tailgate. 2. Tighten clamp jaw bolts until snug. 3. Adjust latch catch bracket so that it is flush with the top trucks bed rail lip. 4. Tighten with supplied hex key until snug.



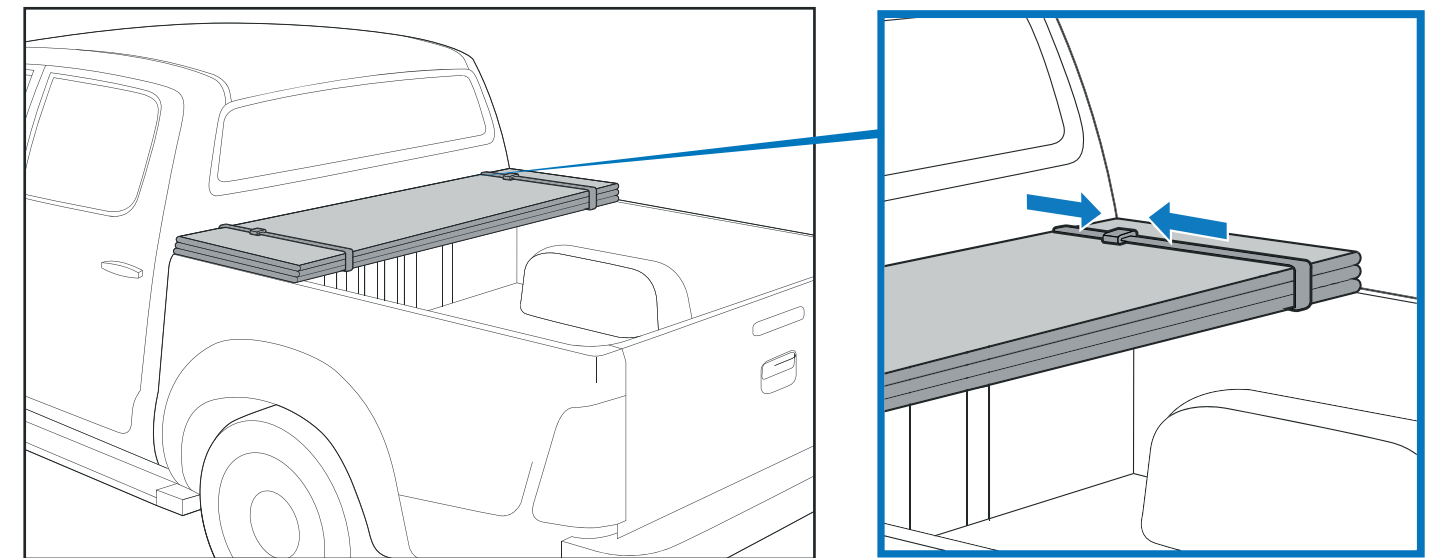
5. Slide the middle clip up until its touching your bed rail lip. 6. Tighten with supplied hex key until snug. 7. Slam the cover shut to check if the latch catches the catch bracket easily.

STEP FIVE



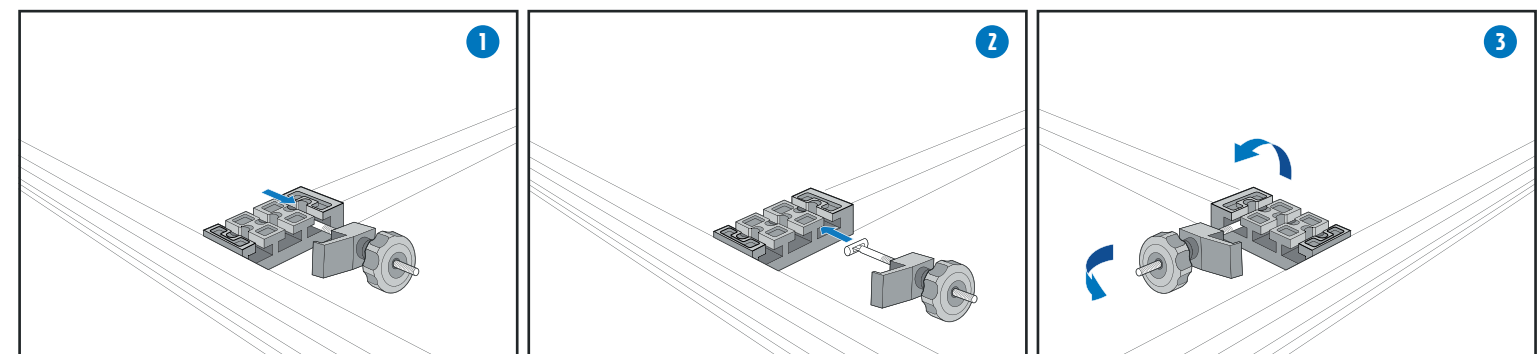
1. Adjust latch catch bracket height if necessary. 2. Loosen the star head screws so the smart latch slides freely. Make sure latch jaw is under the catch bracket. Tighten the star head screws until snug. 3. Test that the cover opens and closes easily and adjust as needed.

SECURE & TIGHTEN BUCKLE



When folded, secure buckle, and tighten safety straps

LATCH POSITION CHANGE



1. Change the clamp position by pulling the clamp out. 2. Determine which slot to use and then simply push back in until it clicks. 3. When folding the cover open, place the latch down in nested position. Failure to do so may result in damage to the tarp.