



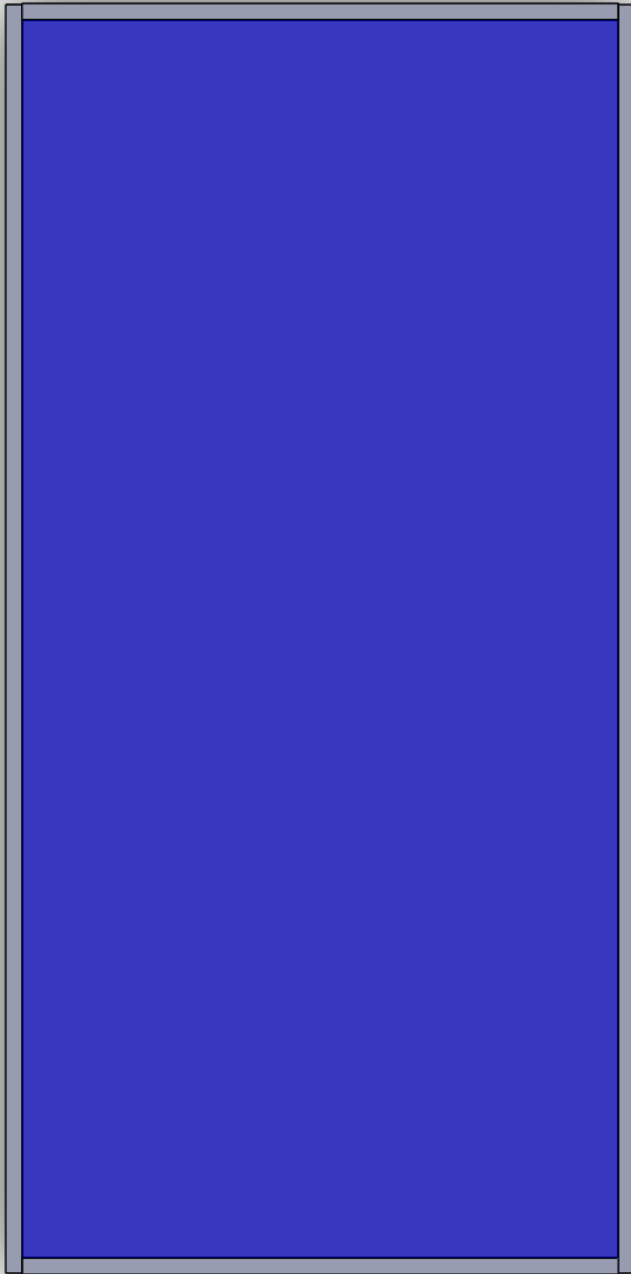
DIY Kit with No Rail Assembly Guidance

Date: 04.04.2023, V2

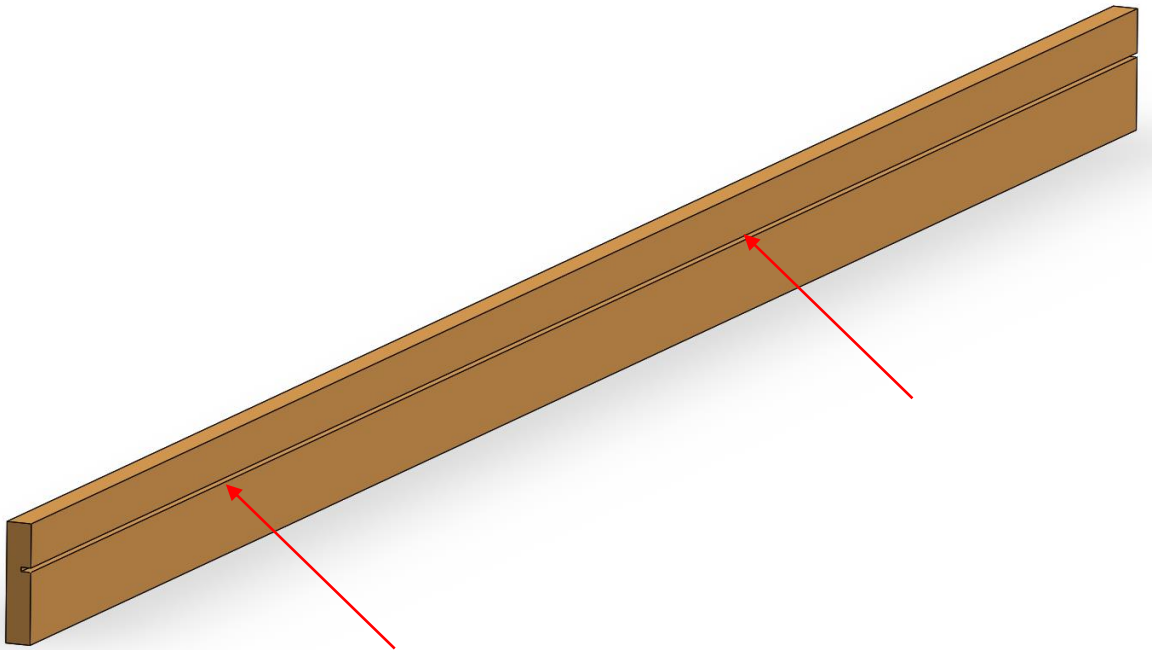
Purpose:

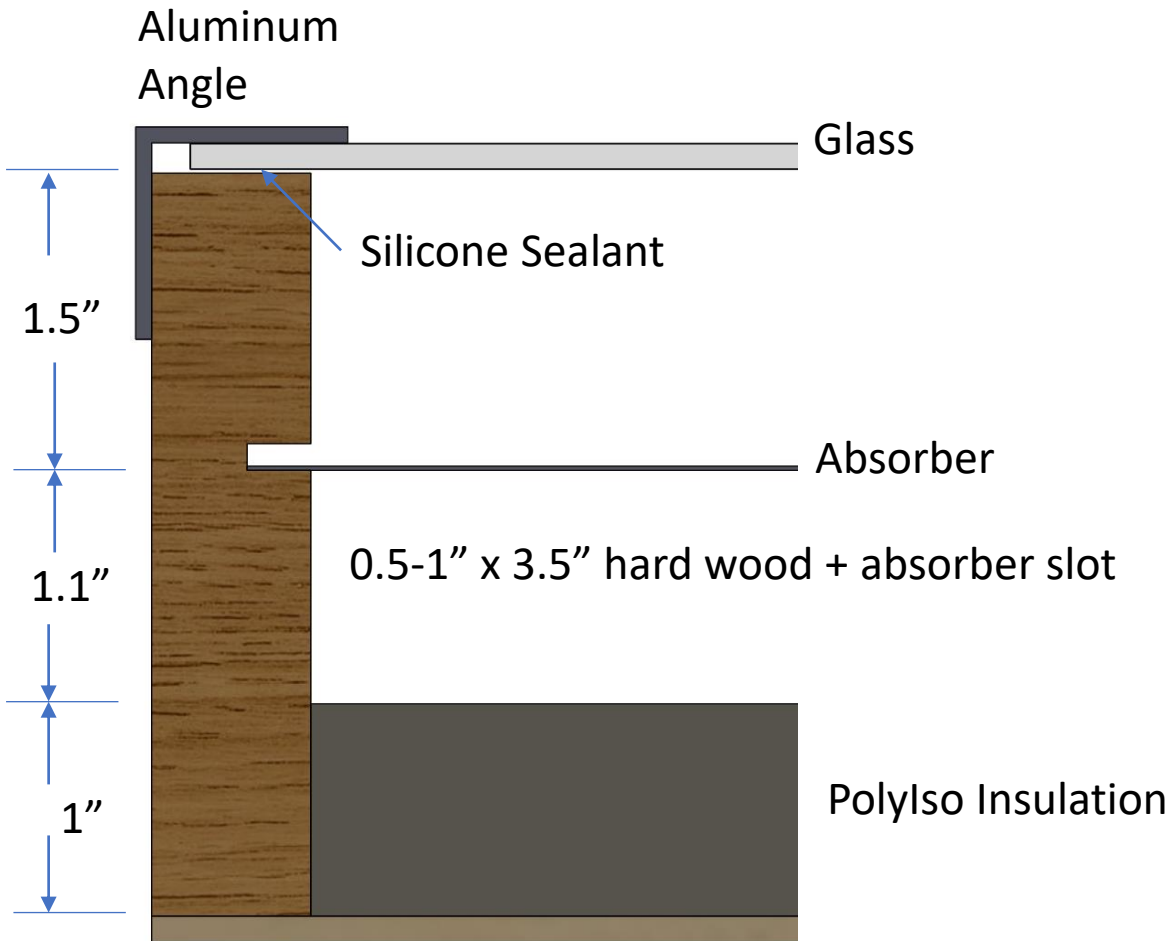
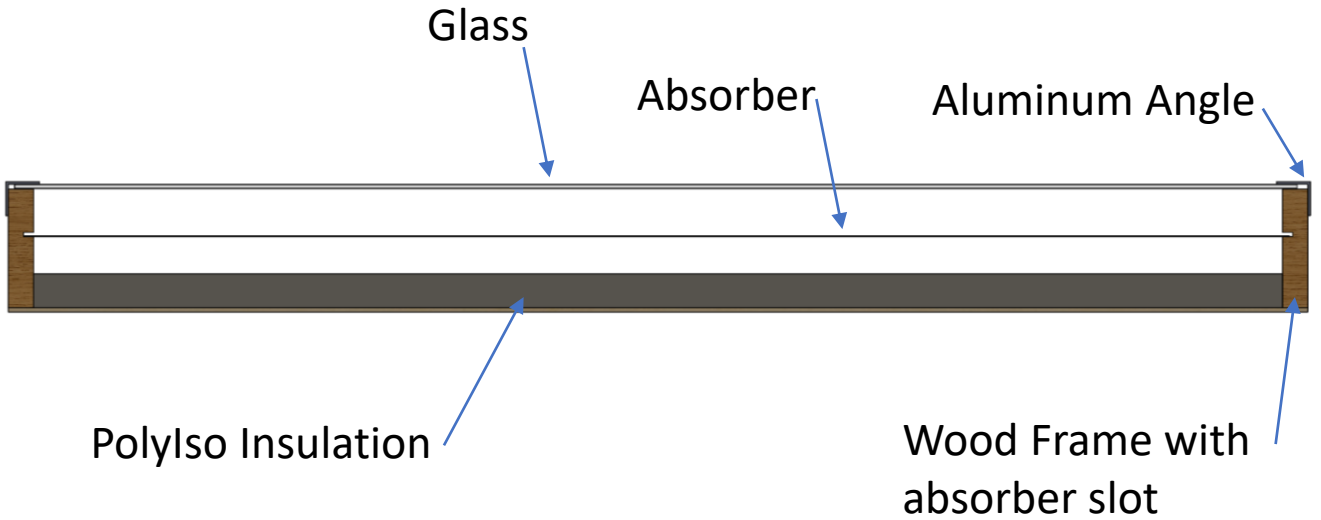
Arctica stopped selling DIY heater kits in 2021 with aluminum frame rails. DIY Kit builders are encouraged to build their heater using the following as guidance, which will result in a high performance, low-cost solar air heating panel using the current DIY Kit product from Arctica.

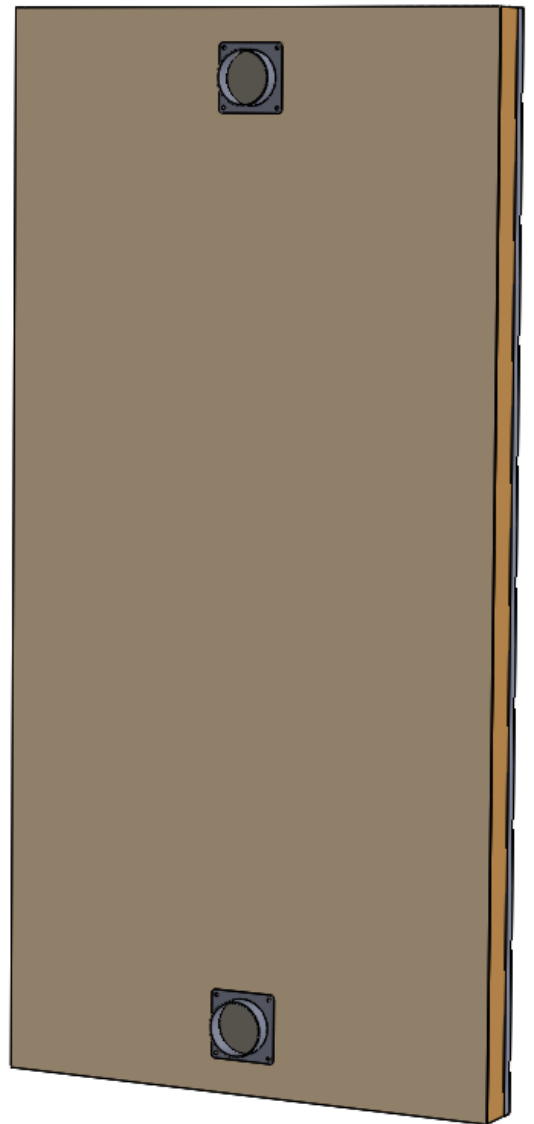
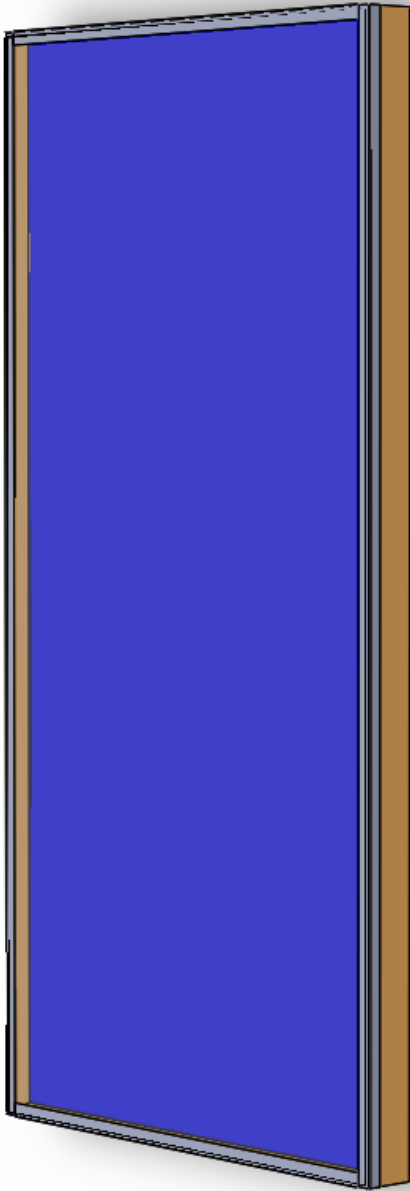
In V2 we've added max build dimensions for your heater when using our 37.375" x 76.75" sized absorber sheet at the maximum size. Please see the final page with a dimensioned PDF of the heater built from the DIY kit using all of the provided absorber sheet. The glass used in this sizing is 38" x 77.15", and dimensions of other parts are provided.



Wood
Framing

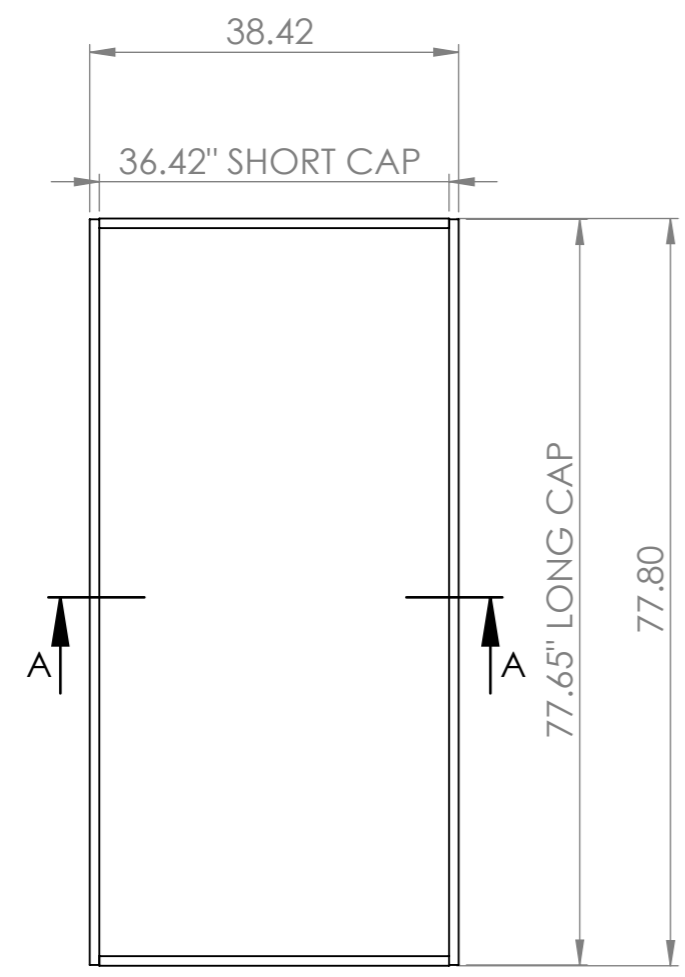




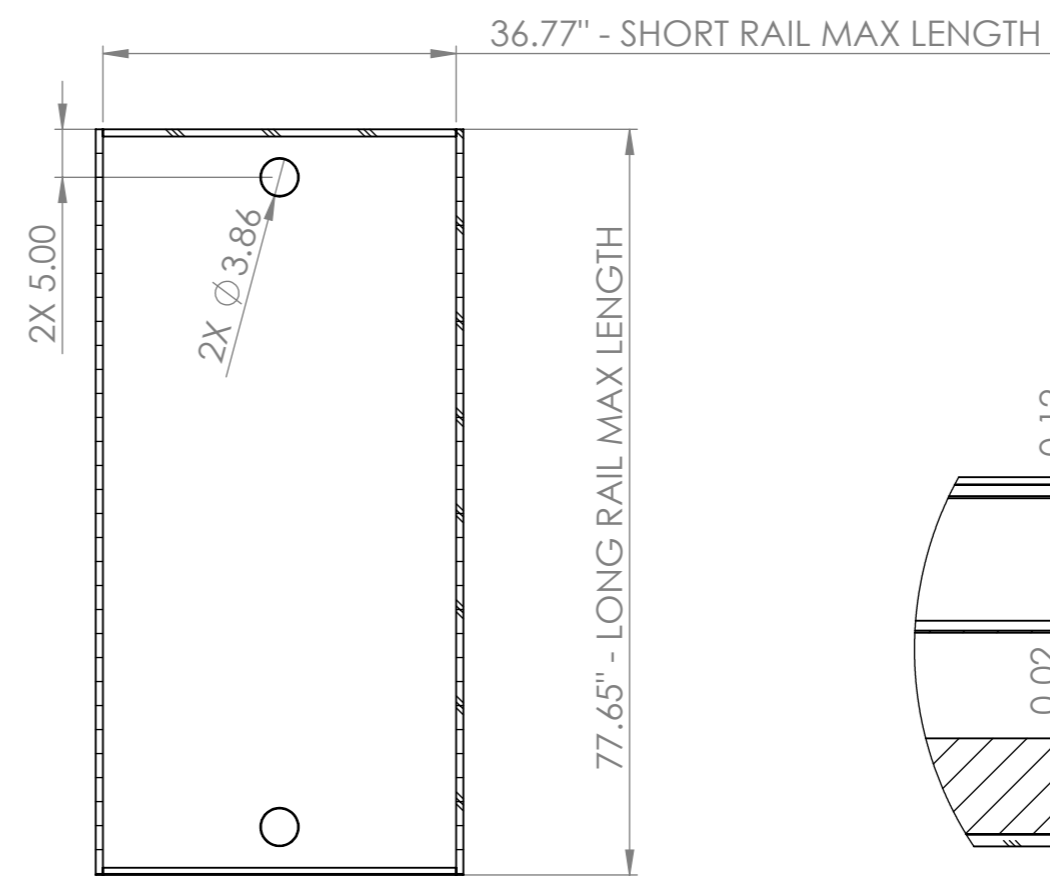
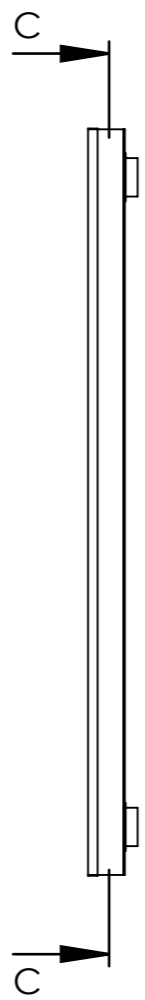


8 7 6 5 4 3 2 1

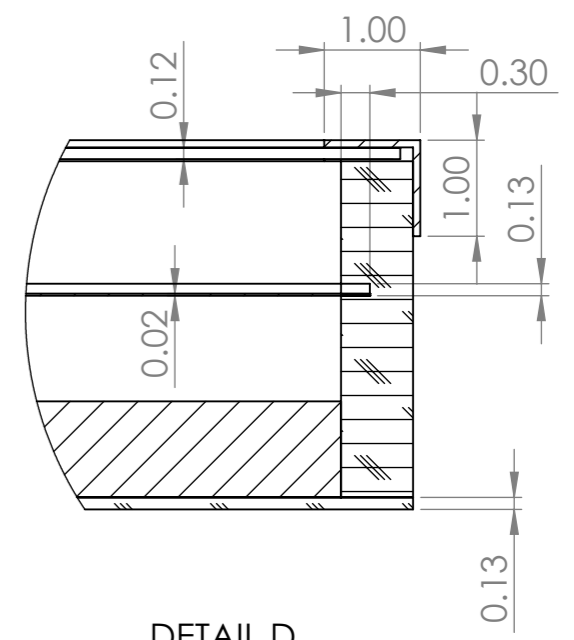
F
E
D
C
B
A



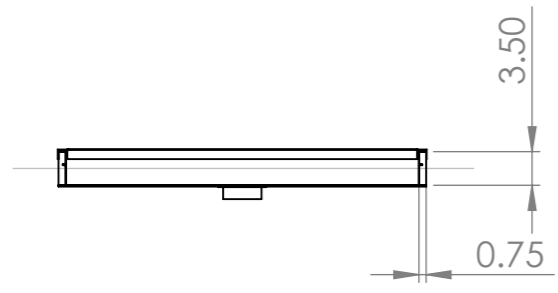
FRONT VIEW, EXTERNAL DIMENSIONS AS MEASURED FROM RAIL CAPS



SECTION C-C



DETAIL D SCALE 1 : 2



SECTION A-A

NOTES:

- ABSORBER MAX SIZE: 37.375" X 76.75" X 0.02" THICK
- GLASS SIZE (AS SHOWN): 38.00" X 77.15" X 0.125" THICK
- POLYISO INSULATION SIZE (AS SHOWN): 76.15" X 34.77" X 1" THICK
- PLYWOOD BACKING SIZE (AS SHOWN): 77.65" X 38.27" X 0.125" THICK

PROPERTY OF ARCTICA SOLAR, 2018 - 2023
COPYRIGHT, ALL RIGHTS RESERVED

UNLESS OTHERWISE SPECIFIED: DIMENSIONS ARE IN INCHES SURFACE FINISH: AS FINISHED TOLERANCES: +/- 0.050" LINEAR: ANGULAR:				FINISH:		DEBURR AND BREAK SHARP EDGES		DO NOT SCALE DRAWING		REVISION	
DRAWN				NAME		SIGNATURE		DATE		TITLE:	
CHK'D										<h1>DIY Kit Heater</h1>	
APPV'D											
MFG											
Q.A											
						MATERIAL:		DWG NO.		A3	
						WEIGHT:		SCALE:1:20		SHEET 1 OF 1	

8 7 6 5 4 3 2 1