



Arctica Solar Fully Integrated Solar Air Heater / Furnace – 750 Series

85% Heat Efficiency

Using a patented heat exchanger design and high R-value insulation, the 750 series is designed for 750 W-equivalent / 2,500 BTU / hr electric space heating applications.

Fully Factory Assembled

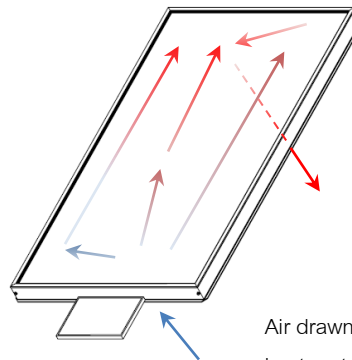
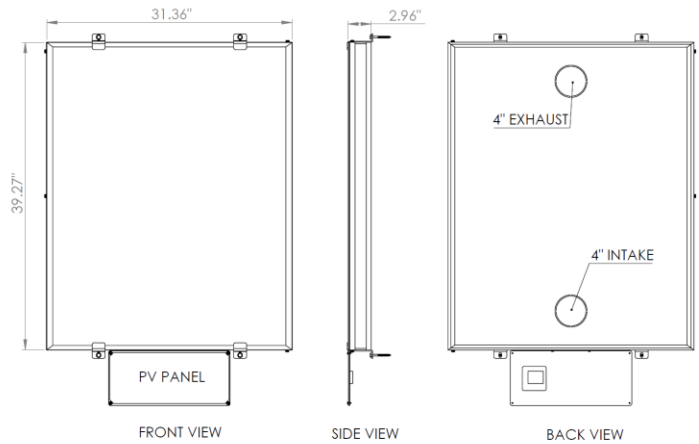
No assembly required. The heater comes ready to mount right out of the box. Customer can choose intake and exhaust locations.

Self Powered, Solar Regulated

The circulation fan uses a small PV panel for power, meaning no electrical power need be provided to the heater for operation. A thermostat or fan speed control can be provided.

DIY or Contractor Installation

Heater uses 4" standard ducting for inlet and outlet connection, and mounts to south facing wall (recommended) or roof - using standard PV mounting rails or brackets.



Outgoing air temperature is heated to 22° C / 40° F higher than incoming air and returned to the living space at 60-90 ft³ / min

Air drawn from living space into heater at ambient temperature

Weight: 29 lbs / 13 kg
 Certification: SRCC OG 100
 Warranty: 1 yr workmanship

