

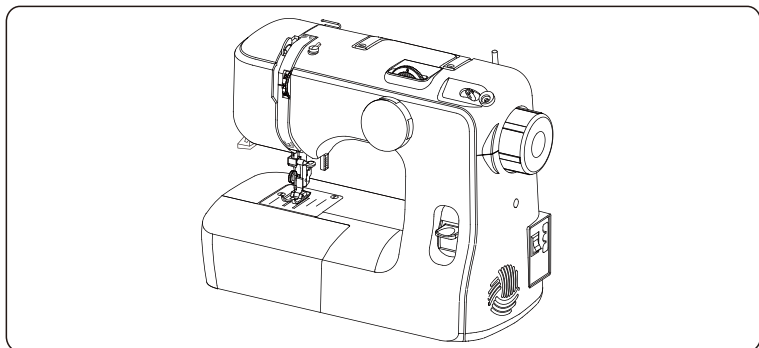
POOLiN

QUICK GUIDE

EOC588 Sewing Machine



Check accessories



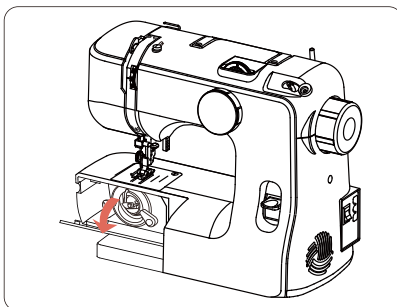
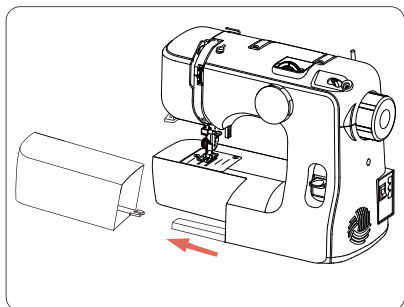
All accessories are in the accessories box

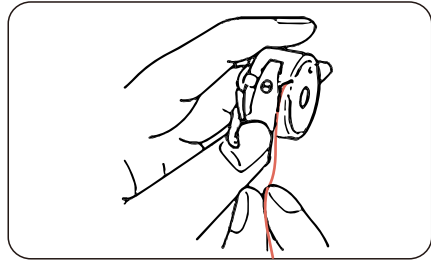
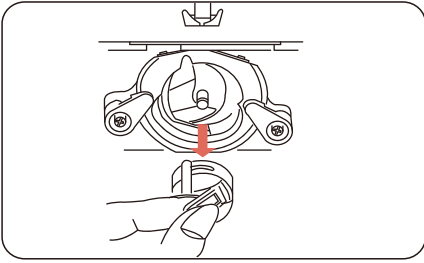
Standard accessories:

- | | |
|---------------------|----------------------------------|
| ① Needle*3 | ② Bobbin*2 |
| ③ Thread*4 | ④ Ripper/brush*1 |
| ⑤ Needle threader*1 | ⑥ Screwdriver for needle plate*1 |
| ⑦ Felt pad*1 | |
| ⑧ Presser feet*5 | |

(universal presser foot / hemmer foot / zipper foot / blind stitch foot / buttonholefoot)

Check the built-in bobbin

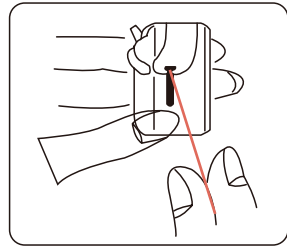
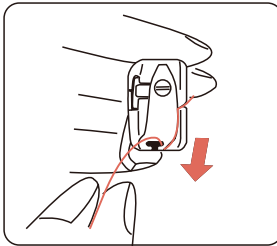
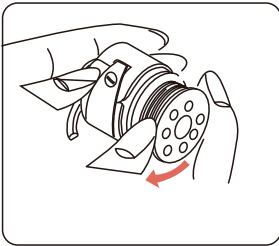




Note: The bobbin turns clockwise in the bobbin case.

Installing the bobbin and bobbin case

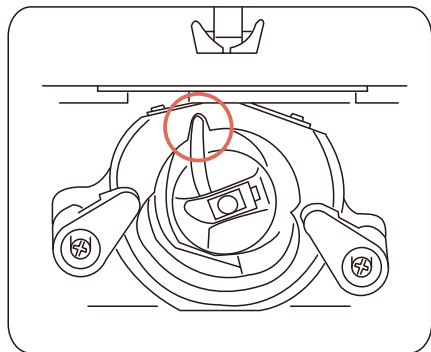
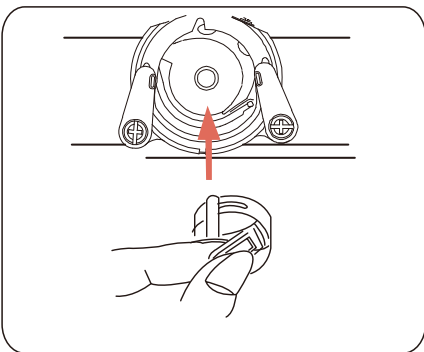
Installing the bobbin



When you pull the thread, the bobbin should spin clockwise.

Note: Leave about 10cm (4 inches) of the thread hanging out of the bobbin case.

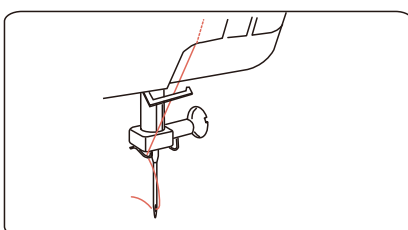
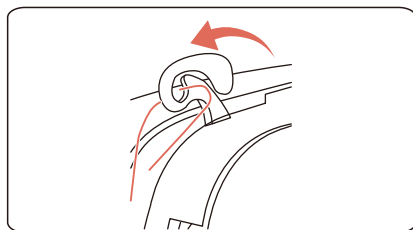
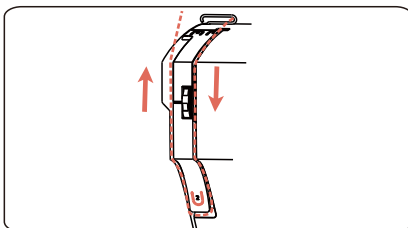
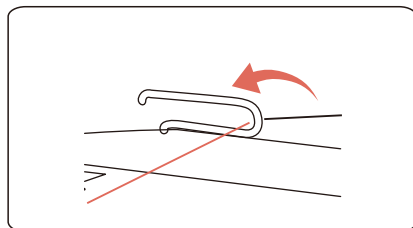
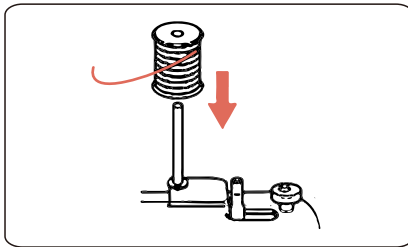
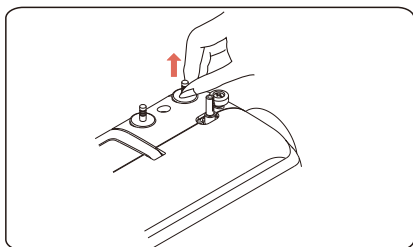
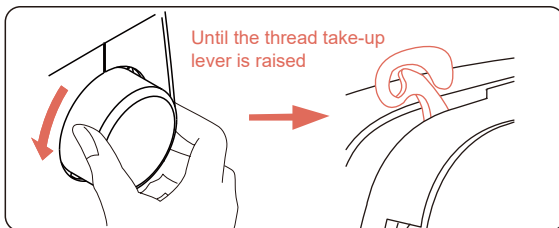
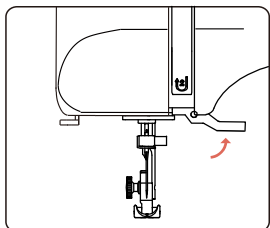
Installing the bobbin case



The pin on the case that should fit into the gap of the shuttle race.

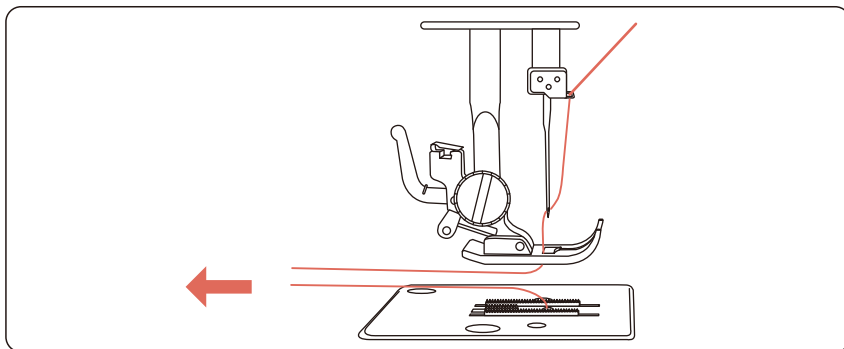
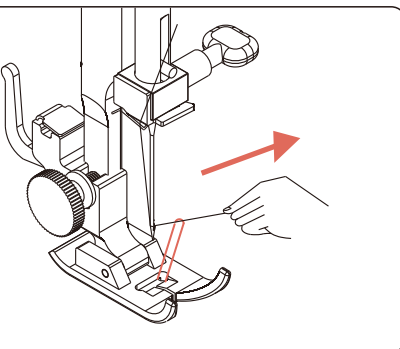
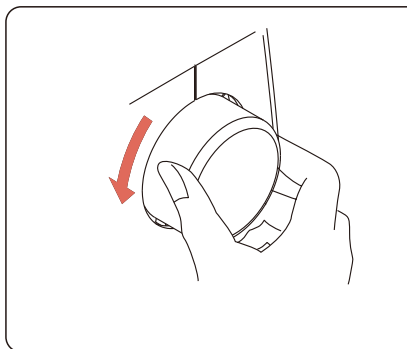
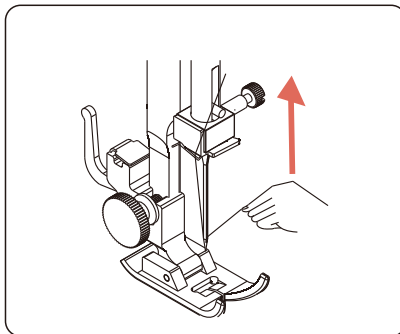
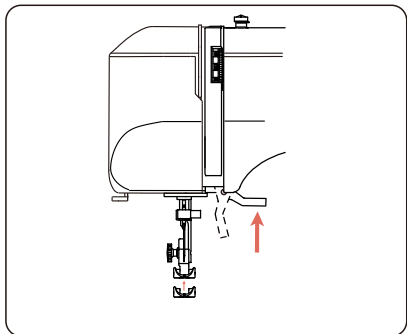
Note: There will be a click sound when the shuttle latch is released, indicating that the installation is complete.

Threading the machine



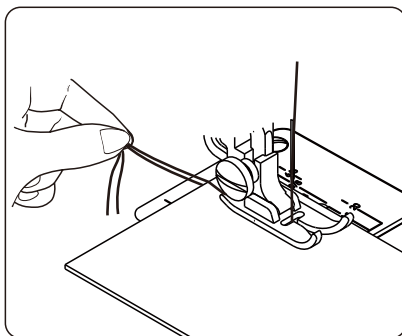
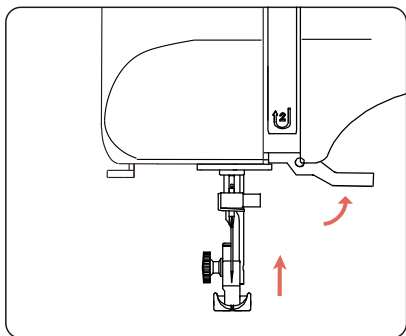
Note: Pass the thread through the eye of the needle from the front.
For the convenience of threading, you can use scissors to cut off the excess thread.

Picking up bobbin thread

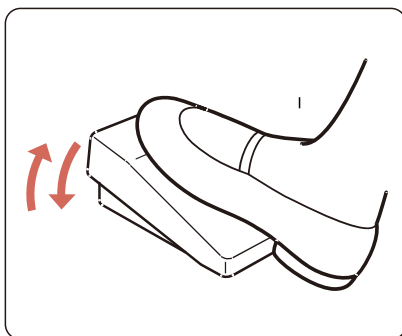
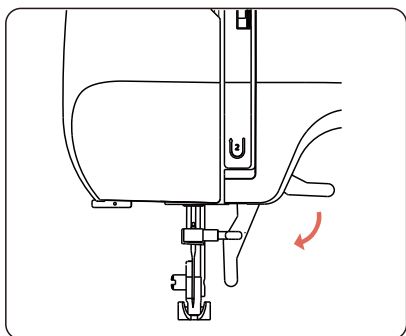


Note: Gently pull up the upper thread with your left hand while turning the hand wheel toward you with your right hand.
Pull both thread 6" (15cm) under and behind the presser foot.

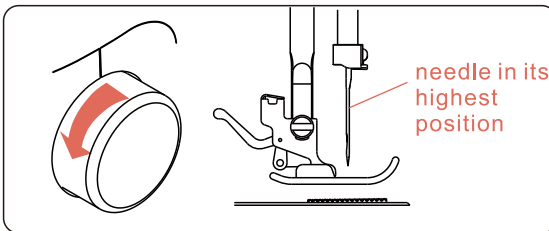
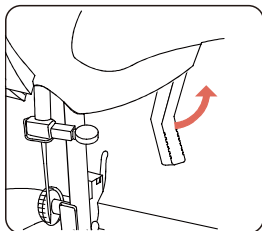
Sewing test

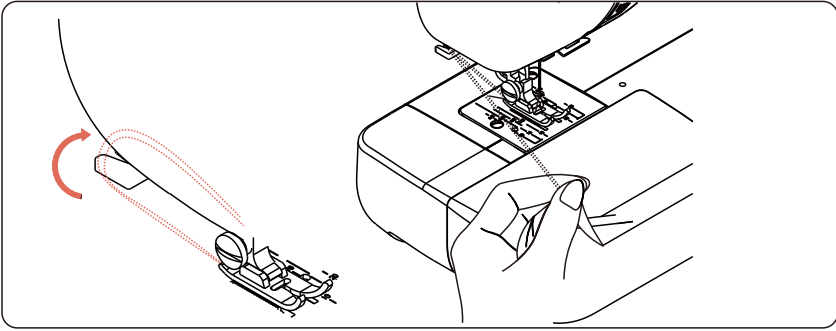


Pull the top thread and bobbin thread towards the back of the machine under the presser foot, until they are about 6inch (15cm) long.



Place the fabric under the presser foot, put down the presser foot. When you have finished, remove your foot from the foot controller, then the sewing machine will stop.





Pull the fabric and threads about 6inch (15cm) backward, then cut threads with the thread cutter from back to front.

Note: Observe the finished fabric carefully to check the conditions of top thread and bobbin thread.

If the bobbin thread appears on top side of fabric, please adjust the top thread tension .

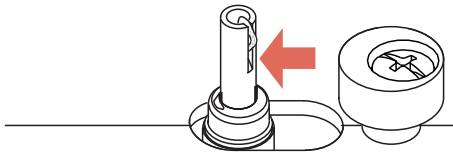
(For details, please refer to page 8 of the manual.)

Troubleshooting

1.Machine not working

① Bobbin winder shaft needs to push to the left.

Keep the bobbin lever to the left while sewing and push the bobbin winder lever to the right when winding the bobbin.



② Wrong handwheel position.

After winding the bobbin, return the handwheel to its original position

③ Sewing thread wrapped around Spool pins.

If the thread is entangled on the Spool pins, the thread cannot be fed, you need to clean the sewing threads to make sure they feed smoothly.

④ The threads are not drawn to the rear after finishing sewing.
Every time before sewing and after sewing, the top thread and bobbin thread should be stretched about 6 inches and put under the presser foot and pulled to the back of the machine. (For details, please refer to page 16 of the manual.)

2.Thread broken or plugged

(1)Needle thread broken or plugged

① Incorrect threading.

When threading, pass the thread take-up and thread from front to back.(For the specific steps of threading, please refer to page 9 of the manual.)

② Needle thread tension is too tight.

If the bobbin thread appears on the front of the fabric or the fabric is wrinkled, it is necessary to turn down the tension dial to ensure loose tension. (For details, please refer to page 12 of the manual.)

③ Needle is bent or blunt.

Check your needles for bent or blunt and replace them promptly.
(Please refer to page 6 of the instruction manual for needle replacement.)

④ The threads are not drawn to the rear after finishing sewing.
Every time before sewing and after sewing, the top thread and bobbin thread should be stretched about 6 inches and put under the presser foot and pulled to the back of the machine. (For details, please refer to page 16 of the manual.)

(2)Needle thread broken or plugged

① The bobbin is not installed correctly.

When you pull the thread, the bobbin should spin clockwise. And leave about 4 inches (10cm) of the thread hanging out of the bobbin case.
(For details, please refer to page 10 of the manual.)

② Thread entanglement in the bobbin case.

Remove the bobbin case and check if the thread is stuck under the bobbin case or needle plate. After a period of use, it is necessary to clean them. (For details, please refer to page 24 of the manual.)

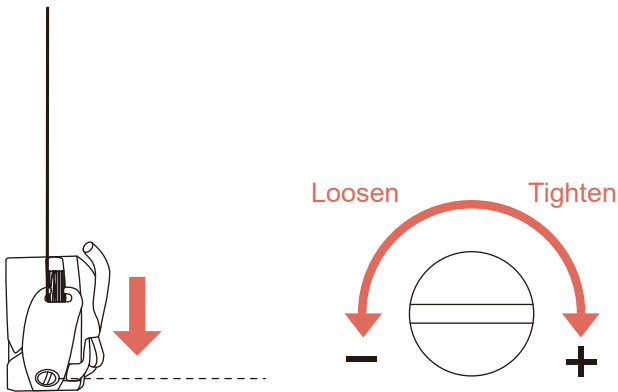
③ The bobbin is damaged and doesn't turn smoothly.

The bobbin hits the bobbin case as it turns in it causing burrs on the bobbin which can cause the bobbin thread to break or jam.

(Please refer to page 10 of the instruction manual to replace the bobbin.)

④ The tension of the bobbin thread is too tight.

Remove the bobbin case with the bobbin from the machine, then hold the thread and let the bobbin case hang down naturally, to test the tension of the bobbin.



If the tension is correct, the thread will unwind by about 1-2 inches.

If the tension is too tight, it will not unwind.

If the tension is too loose, the thread will unwind more than 2 inches.

Adjust bobbin.

CONTACT US



E-mail

PoolinService@richword.com



Whatsapp

+86 189 0063 0275

+86 189 0063 3167



Facebook

Poolin Users Group



Youtube

Poolin sewing machine

