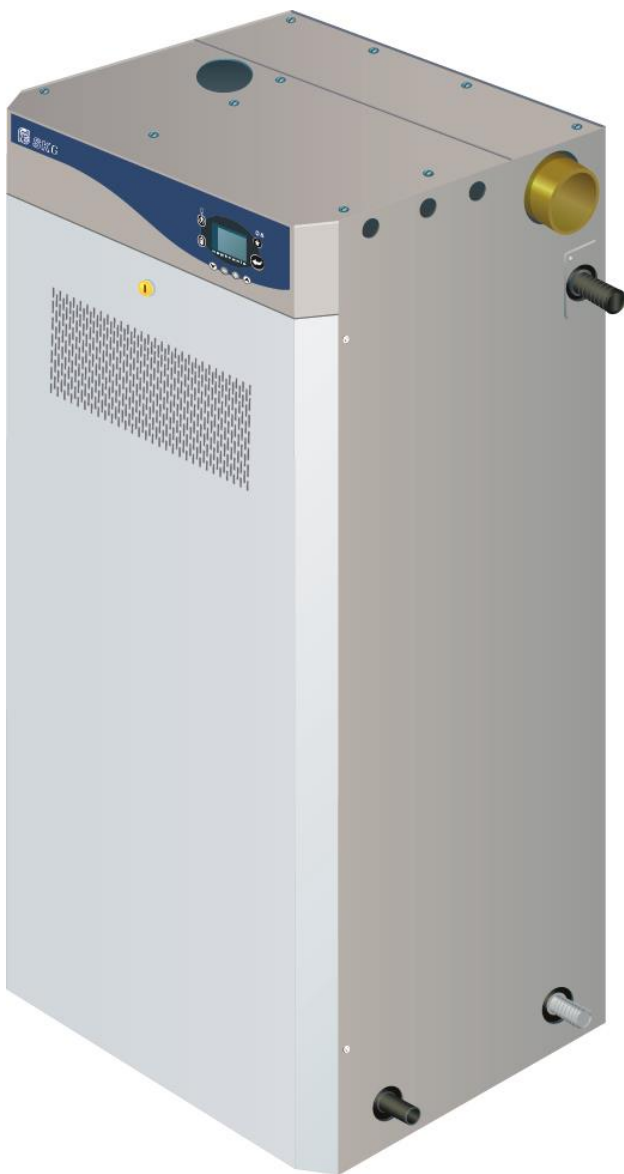




neptronic®

Gas Fired Humidifier SKG3 Series

INSTALLATION INSTRUCTIONS

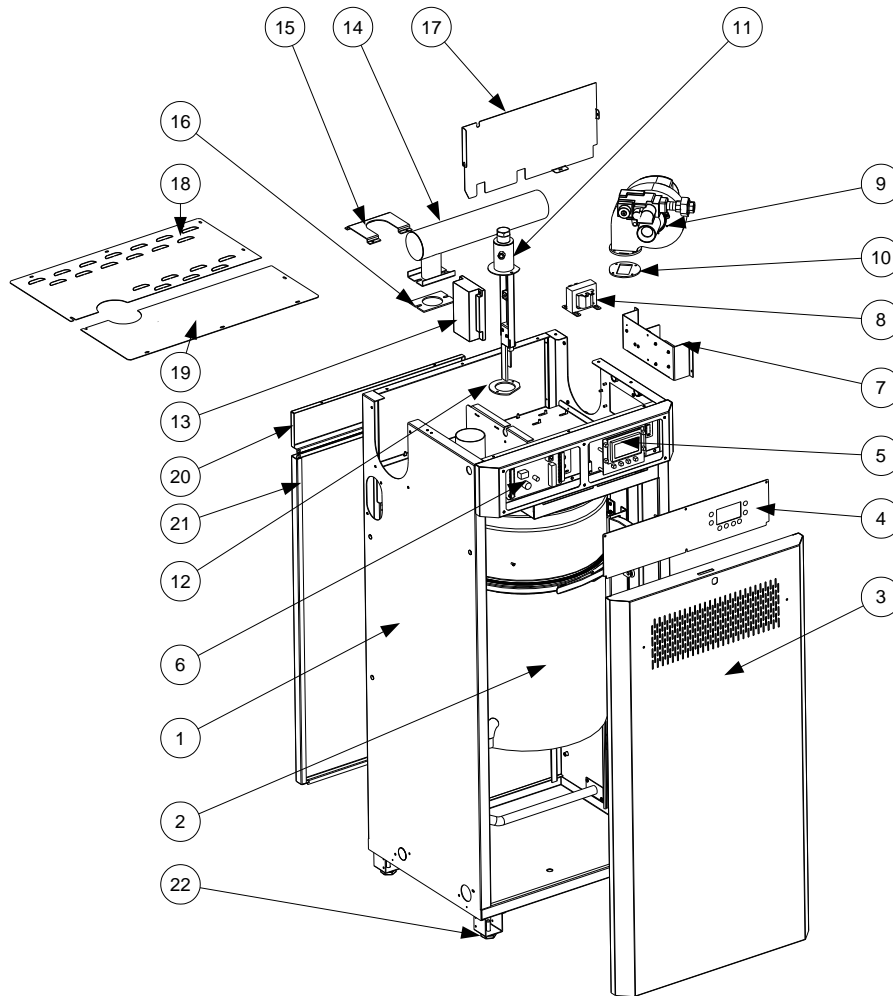


Ready to Order parts?
Call us at 610-860-5220
Email us at Parts@RAPIDHVACPARTS.COM
ALL PARTS IN STOCK
FREE FEDEX SHIPPING INCLUDED

Read and save these instructions

Exploded Views & Parts List

General

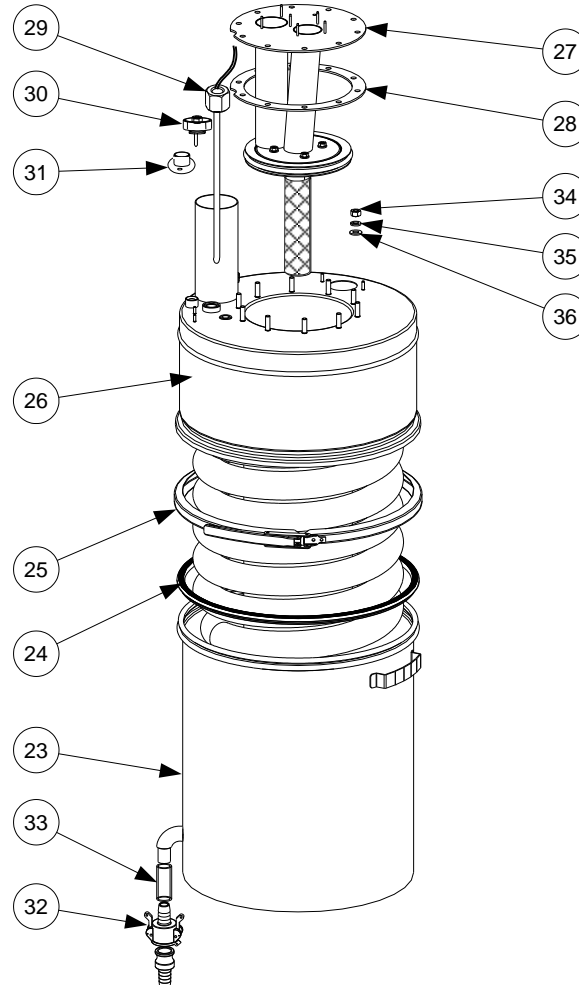


General exploded view - Fig. 52

Item	Description	Model	Part number	
1	SKG Cabinet	All models	SW G1012	
2	Evaporation chamber assembly		See detail	
3	Front door assembly		See detail	
4	Front Panel	Master (1 st) module	SP G1002-21	
		Slave module	SP G1002-24	
5a	Master control PCB (with LCD display)	All models	NW SKGAZMAINSS	
5b	BACnet communication PCB	All models	NW SKGAZBACNET-SS	
6	Slave control PCB	All models	NW SKGAZSLAVESS	
7	Interconnection panel	All models	SW GELECT-ASSY	
8	Transformer	120/24Vac – 100VA	All models	SP 3380
		208/24Vac – 100VA	All models	SP 3308
		240/24Vac – 100VA	All models	SP 3310
9	Combustion blower & gas valve assembly		See detail	
10	Combustion blower gasket	All models	SP G2104	
11	Igniter holder assembly		See detail	
12	Igniter holder gasket	All models	SP G2103	
13	Combustion controller	All models	SP G2001	
14	Internal flue pipe	SKG3-110 to 210	SP G4211	
		SKG3-265 to 405	SP G4222	
		SKG3-505 to 810	See detail	
15	Flue pipe holder	SKG3-110 to 405	SPG 1002-1	
		SKG3-505 to 810	SWG WATFIT1-ASSY	
16	Flue pipe gasket	All models	SP G2107	
17	Heat shield panel	All models	SP G1012-18	
18	Top back cover	All models	SP G1012-9	
19	Top front cover	All models	SP G1012-8	
20	Back gas pipe panel	All models	SP G1012-7	
21	Back door	All models	SP G1012-6	
22	Leg	All models	SP G3401	

Exploded Views & Parts List

Item 2 – Evaporation chamber assembly detail

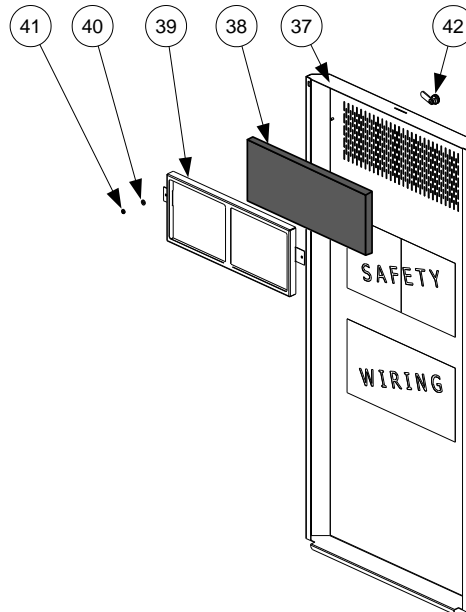


Evaporation chamber exploded view - Fig. 53

Item	Description	Model	Part number
23	Water tank	All models	SW G3208
24	Water tank gasket	All models	SW G2101
25	Band clamp	All models	SP G3150-M
26	Heat exchanger		See combustion component detail table
27	Burner assembly		See combustion component detail table
28	Burner assembly gasket	All models	SP G2111
29	Water temperature sensor	All models	SW GWATTEMP-ASSY
30	AFEC probe	All models	SW GAFECPROBE-ASSY
31	High temperature limit switch	All models	SP 3035
32	Quick release drain connector	All models	SP G3210
33	3/4in silicone hose	All models	SW G3210-ASSY
34	S/S 1/4-20 Nut	All models	SP G9212
35	Lock washer 1/4	All models	SP G9232
36	Flat washer 1/4	All models	SP G1008

Exploded Views & Parts List

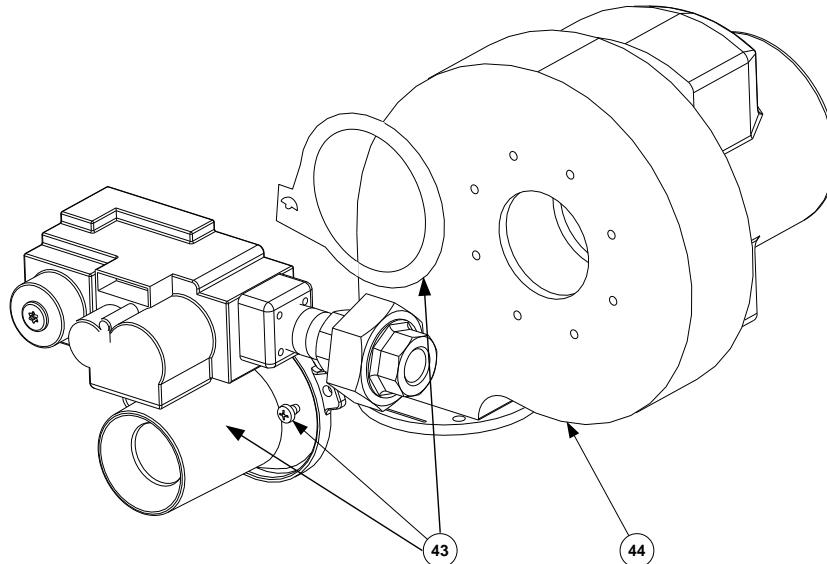
Item 3 - Door assembly detail



Door assembly detail - Fig. 54

Item	Description	Model	Part number
37	Front door	All models	SP G1012-5
38	Air filter	All models	SP G4202
39	Air filter holder	All models	SP G1012-27
40	Spring washer	All models	SP 2112
41	Nut M5	All models	NP NEP188
42	Key lock	All models	SP 6854

Item 9 – Combustion blower & gas valve assembly



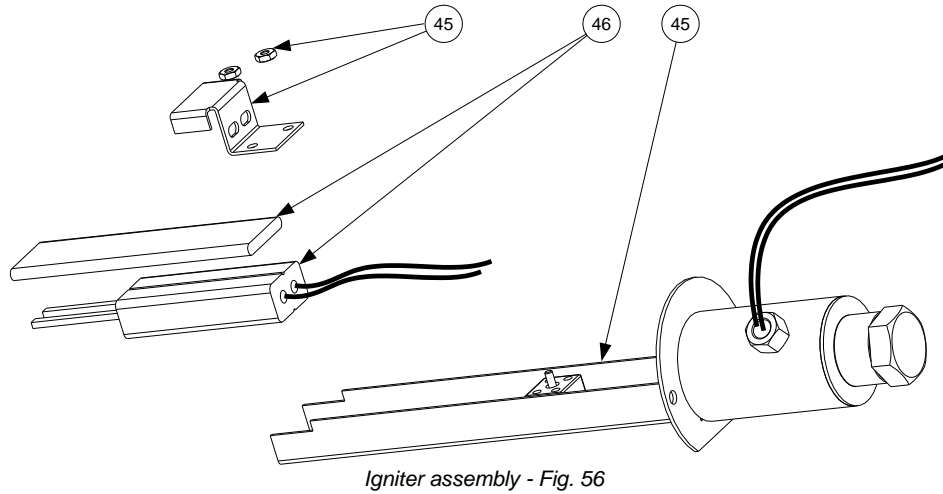
Combustion blower and gas valve assembly - Fig. 55

Combustion component detail table

Item	Description	Part number by Module type			
		Module SKG 100	Module SKG 150	Module SKG 180	Module SKG 200
26	Heat Exchanger	SW GTANKCOVER175	SW GTANKCOVER175	SW GTANKCOVER200	SW GTANKCOVER200
27	Burner assembly	SW GBURN100-ASSY	SW GBURN150-ASSY	SW GBURN150-ASSY	SW GBURN200-ASSY
43	Gas valve & Venturi assembly	SWG GASVENT53-ASSY	SWG GASVENT01-ASSY	SWG GASVENT01-ASSY	SWG GASVENT51-ASSY
44	Combustion blower	120V	SW G2017-120	SW G2017-120	SW G2017-120
		208 or 240V	SW G2017-230	SW G2017-230	SW G2017-230
55	Orifice for propane	All models: SP G2114			

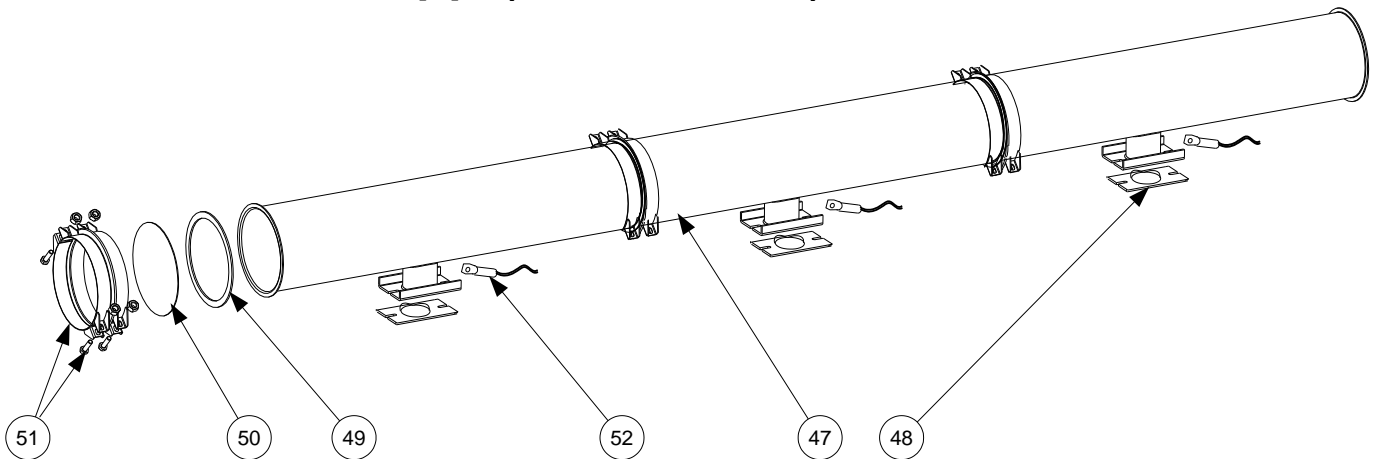
Exploded Views & Parts List

Item 11 – Igniter assembly



Item	Description	Model	Part number
45	Igniter holder assembly	All models	SW GIGNHOLD-ASSY
46	Igniter	120V 208 or 240V	SW GIGNITER-120 SW GIGNITER-230

Item 14 – Internal flue pipe (SKG3-505 to 810)

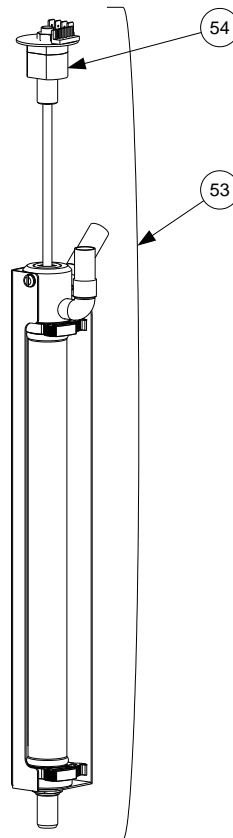


Flue pipe assembly - Fig. 57

Item	Description	Model	Part number
47	Flue section	SKG3-505 to 810	SP G2201
48	Flue breach pipe gasket	All models	SP G2107
49	Flue joint fiber gasket	SKG3-505 to 810	SP G2108
50	Flue section blind flange	SKG3-505 to 810	SP G2206
51	Flue connection clamp assembly	SKG3-505 to 810	SP G2203
52	Flue temperature sensor	All models	SW GCHIMPROBE-ASSY

Exploded Views & Parts List

Water level sensor assembly

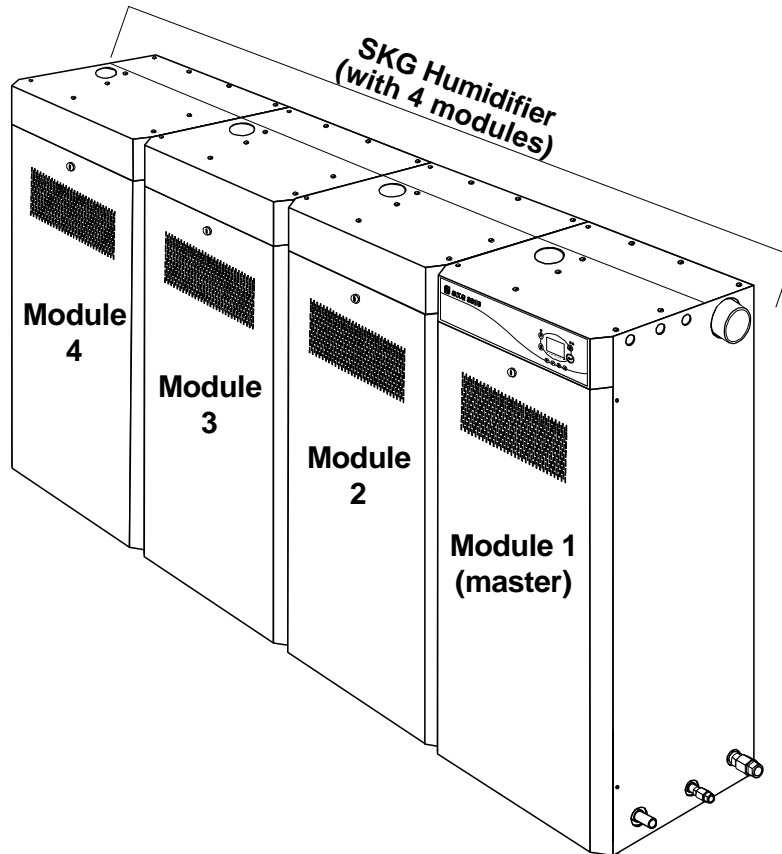


Water level sensor assembly - Fig. 58

Item	Description	Model	Part number
53	Water level sensor assembly	All models	SW GWATLEV-ASSY
54	Water level sensor	All models	SW GWATLEV-SUB



Multiple Modules Composition Table



Module description - Fig.59

Humidifier Model	No of Modules	Module model number & quantity			
		SKG100	SKG150	SKG180	SKG200
SKG3-110-1 N/P	1	x1			
SKG3-155-1 N/P	1		x1		
SKG3-180-1 N/P	1			x1	
SKG3-210-1 N/P	1				x1
SKG3-265-2 N/P	2	x1	x1		
SKG3-310-2 N/P	2		x2		
SKG3-350-2 N/P	2		x1		x1
SKG3-405-2 N/P	2				x2
SKG3-505-3 N/P	3		x1	x1	x1
SKG3-560-3 N/P	3		x1		x2
SKG3-610-3 N/P	3				x3
SKG3 710-4 N/P	4		x1	x1	x2
SKG3-765-4 N/P	4		x1		x3
SKG3-810-4 N/P	4				x4



neptronic[®]

Ready to Order?
Call us at 610-860-5220
Email us at Parts@RAPIDHVACPARTS.COM
ALL PARTS IN STOCK
FREE FEDEX SHIPPING INCLUDED