

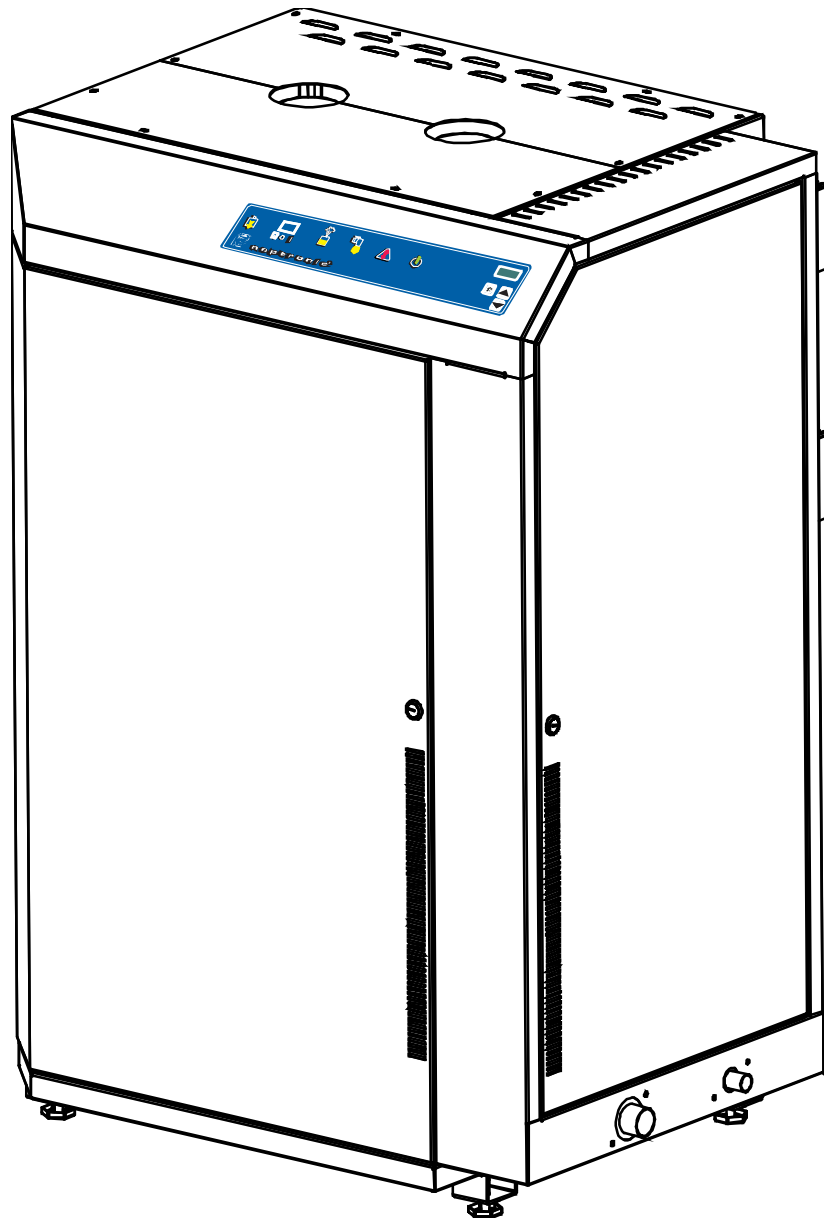


neptronic®

Electric Steam Humidifier

SK300-XL Series

INSTALLATION INSTRUCTIONS



Read and save these instructions

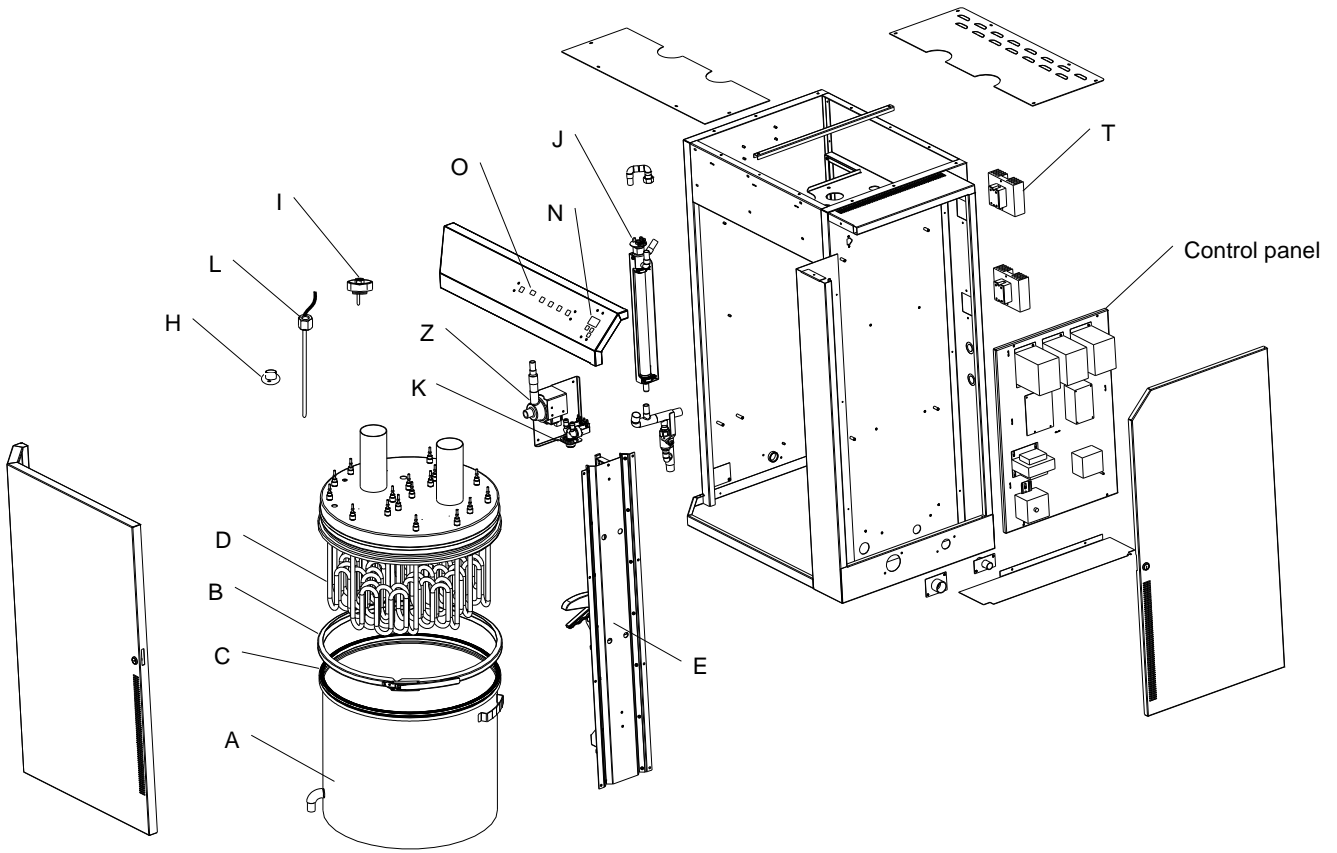
Ready to Order?

Call us at 610-860-5220

Email us at Parts@RAPIDHVACPARTS.COM

ALL PARTS IN STOCK - FREE FEDEX SHIPPING INCLUDED

Exploded View



(Illus. 38)

Bill of Material

General

Item	Description	Model	Part number
A	Evaporation chamber tank	All models	SP 4253
B	Band clamp	All models	SP 4254-M
C	Tank gasket	All models	SW 4255
D	Heating element	<i>See Heating Element, Contactor, Fuse, Fuse Holder and Transformer table.</i>	
E	Lifting mechanism	All models	SW G1010-ASSY
F	Gasket for element (not shown)	All models	SP 1005
G	S/S hexagonal nut for element (not shown)	All models	SP 2330
H	High temperature switch	All models	SP 3035
I	Foam sensor	All models	SW GAFECPROBE-ASSY
J	Water level sensor sub assembly	All models	SW SKXLWATLEVSR1
K	Water supply valve	All models	SP 6007
L	Water temperature sensor	All models	SW GWATTEMP-ASSY
N	SK300 LCD display	All models	NW SK300DISPL-ASSY
O	On/Off/Drain switch	All models	SW SKSWITCH-ASSY
Control Panel	Main pc board	All models	NW SK300XL-TEST
	Modulating pc board	All models	NW SK300MODULSS
	Sequence pc board	All models	NW HEC0002SK
	Contactor	<i>See Heating Element, Contactor, Fuse, Fuse Holder and Transformer table.</i>	
	40Amp fuse		
	Fuse holder		
	Transformer		
T	Solid state relay with heat sink	All models	DW SSR90Y1 (2x)
Z	Drain pump	All models	SP G4101

Heating Element, Contactor, Fuse, Fuse Holder and Transformer

Model	Voltage	Heating element	Contactor	Fuse	Fuse holder	Transformer
SK330 XL	208V/3~	SW 5959 (9x)	SP 3100 (3x)	SP 5113 (9X) 40amp	SP 5112 (3X)	SP 3381
SK340 XL	208V/3~	SW 5946 (9x)	SP 3084 (3x)	SP 5113 (9X) 40amp	SP 5112 (3X)	SP 3381
SK370	480V/3~	SW 5952 (3x) / SW 5950 (6x)	SP 3100 (3x)	SP 5113 (3X) 40amp SP 5103 (6X) 30amp	SP 5112 (1X) SP 5415 (2X)	SP 3383
	600V/3~	SW 5939 (3x) / SW 5951 (6x)	SP 3100 (3x)	SP 5113 (3X) 40amp SP 5103 (6X) 30amp	SP 5112 (1X) SP 5415 (2X)	SP 3384
SK380	480V/3~	SW 5950 (3x) / SW 5952 (6x)	SP 3100 (3x)	SP 5113 (6X) 40amp SP 5103 (3X) 30amp	SP 5112 (2X) SP 5415 (1X)	SP 3383
	600V/3~	SW 5951 (3x) / SW 5939 (6x)	SP 3100 (3x)	SP 5113 (6X) 40amp SP 5103 (3X) 30amp	SP 5112 (2X) SP 5415 (1X)	SP 3384
SK390	480V/3~	SW 5962 (9x)	SP 3100 (3x)	SP 5113 (9X) 40amp	SP 5112 (3X)	SP 3383
	600V/3~	SW 5963 (9x)	SP 3100 (3x)	SP 5113 (9X) 40amp	SP 5112 (3X)	SP 3384



neptronic[®]

Read and save these instructions
Ready to Order?
Call us at 610-860-5220
Email us at Parts@RAPIDHVACPARTS.COM
ALL PARTS IN STOCK
FREE FEDEX SHIPPING INCLUDED