

DS-KB8113-IME1

Vandal-Resistant Doorbell

HIKVISION



Key Feature

- Standard PoE
- 2 MP HD camera
- Noise suppression and echo cancellation
- Low illumination
- Access control functions
- Configuration remotely via Web

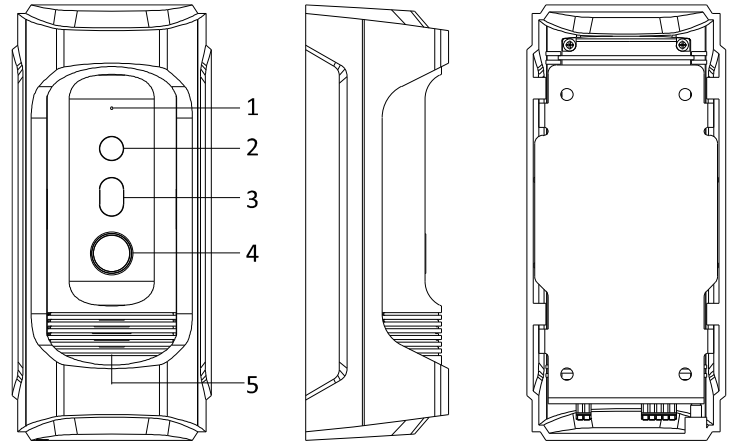
Specification

| System parameters | |
|----------------------------|--|
| Operation system | Embedded Linux operation system |
| Flash | 32 M |
| RAM | 256 M |
| Video Parameters | |
| Camera | 2MP HD camera |
| Night vision | Low illumination IR supplement mode:3 m |
| WDR | True WDR |
| Field of view | Horizontal: 88° Vertical: 45° Diagonal: 106° |
| Video compression standard | H.264 |
| Stream | Main stream: 1080p@30fps, 720p@30fps Sub stream: D1 |
| Resolution | Main stream: 1920 × 1080p, 720p Sub stream: 704 × 576 |
| Motion detection | Support |
| Anti-flicker frequency | 50 Hz, 60 Hz |
| Audio parameters | |
| Audio intercom | Two-way audio communication |
| Audio input | Built-in omnidirectional microphone |
| Audio output | Built-in loudspeaker |
| Audio compression standard | G.711 U |
| Audio compression Rate | 64 Kbps |
| Audio quality | Noise suppression and echo cancellation |
| Network parameters | |
| Wired network | PoE, 10/100 Mbps self-adapted |
| Network protocol | TCP/IP, RSTP |
| Access control parameters | |
| Swiping card frequency | / |
| Relay | 1 |
| Interfaces | |
| Debugging port | 1 |
| Alarm input | 1 |
| Grounding | 1 |
| General | |
| Protection level | IP65, IK09 |
| Button | 1 |
| Power supply | IEEE802.3af, standard PoE 12 VDC |
| Power consumption | < 10 W |
| Working temperature | -30° C to +50° C (-22° F to 122° F) |
| Working humidity | 10% to 90% |
| Heat module | Support |
| Installation | Surface mounting |

Available Model

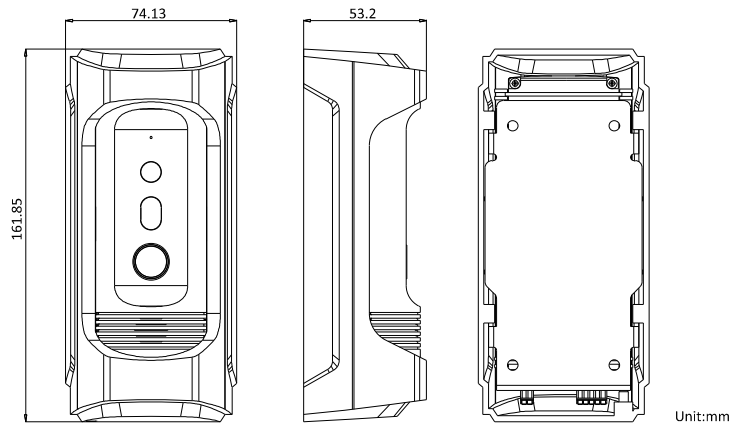
DS-KB8113-IME1

Appearance and Interfaces



| No. | Description | No. | Description |
|-----|-----------------------------------|-----|-------------|
| 1 | Microphone | 4 | Call Button |
| 2 | Built-in Camera | 5 | Loudspeaker |
| 3 | Low Illumination Supplement Light | | |

Dimension



Distributed by

**HIKVISION®****Headquarters**

No.555 Qianmo Road, Binjiang District,
Hangzhou 310051, China
T +86-571-8807-5998
overseasbusiness@hikvision.com

Hikvision USA
T +1-909-895-0400
sales.usa@hikvision.com

Hikvision Australia
T +61-2-8599-4233
salesau@hikvision.com

Hikvision India
T +91-22-28469900
sales@pramahikvision.com

Hikvision Canada
T +1-866-200-6690
sales.canada@hikvision.com

Hikvision Thailand
T +662-275-9949
sales.thailand@hikvision.com

Hikvision Europe
T +31-23-5542770
sales.eu@hikvision.com

Hikvision Italy
T +39-0438-6902
info.it@hikvision.com

Hikvision Brazil
T +55 11 3318-0050
Latam.support@hikvision.com

Hikvision Turkey
T +90 (216)521 7070- 7074
sales.tr@hikvision.com

Hikvision Malaysia
T +601-7652-2413
sales.my@hikvision.com

Hikvision UK & Ireland
T +01628-902140
sales.uk@hikvision.com

Hikvision South Africa
Tel: +27 (10) 0351172
sale.africa@hikvision.com

Hikvision France
T +33(0)1-85-330-450
info.fr@hikvision.com

Hikvision Kazakhstan
T +7-727-9730667
nikia.panfilov@hikvision.ru

Hikvision Vietnam
T +84-974270888
sales.vt@hikvision.com

Hikvision UAE
T +971-4-4432090
salesme@hikvision.com

Hikvision Singapore
T +65-6684-4718
sg@hikvision.com

Hikvision Spain
T +34-91-737-16-55
info.es@hikvision.com

Hikvision Tashkent
T +99-87-1238-9438
uzb@hikvision.ru

Hikvision Hong Kong
T +852-2151-1761
info.hk@hikvision.com

Hikvision Russia
T +7-495-669-67-99
saleru@hikvision.com

Hikvision Korea
T +82-(0)31-731-8817
sales.korea@hikvision.com

Hikvision Poland
T +48-22-460-01-50
info.pl@hikvision.com

Hikvision Indonesia
T +62-21-2933759
Sales.Indonesia@hikvision.com

Hikvision Colombia
sales.colombia@hikvision.com